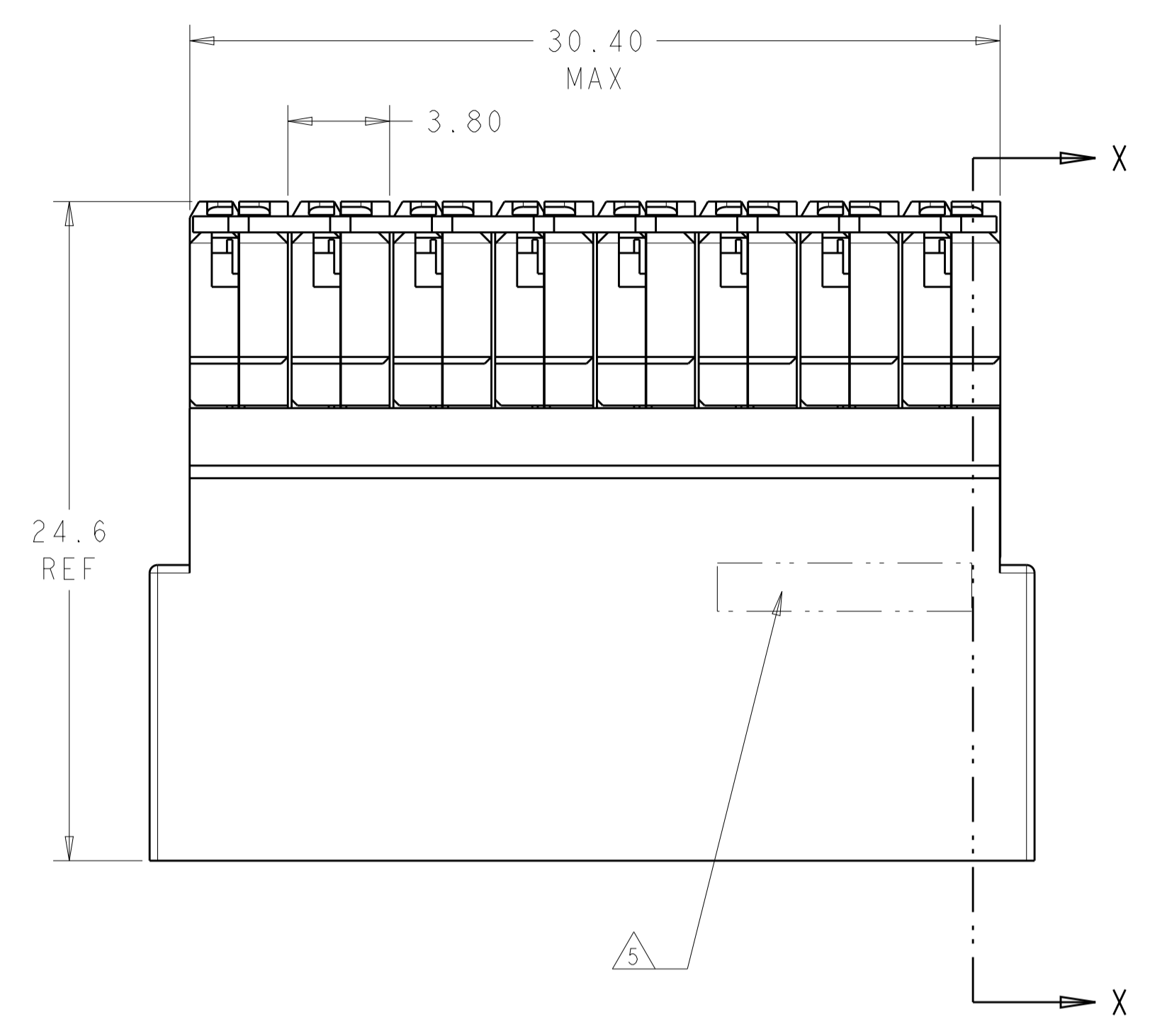
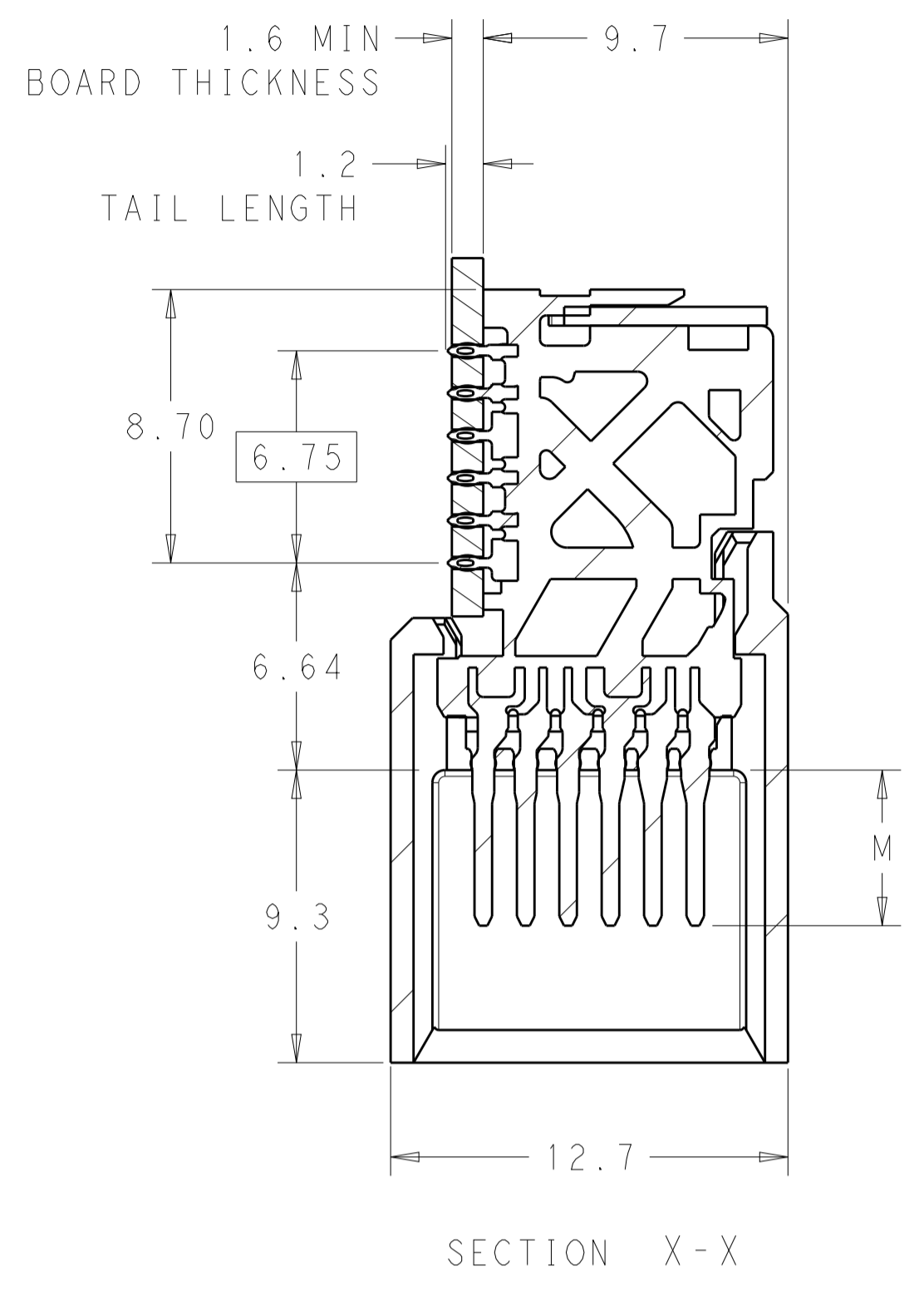
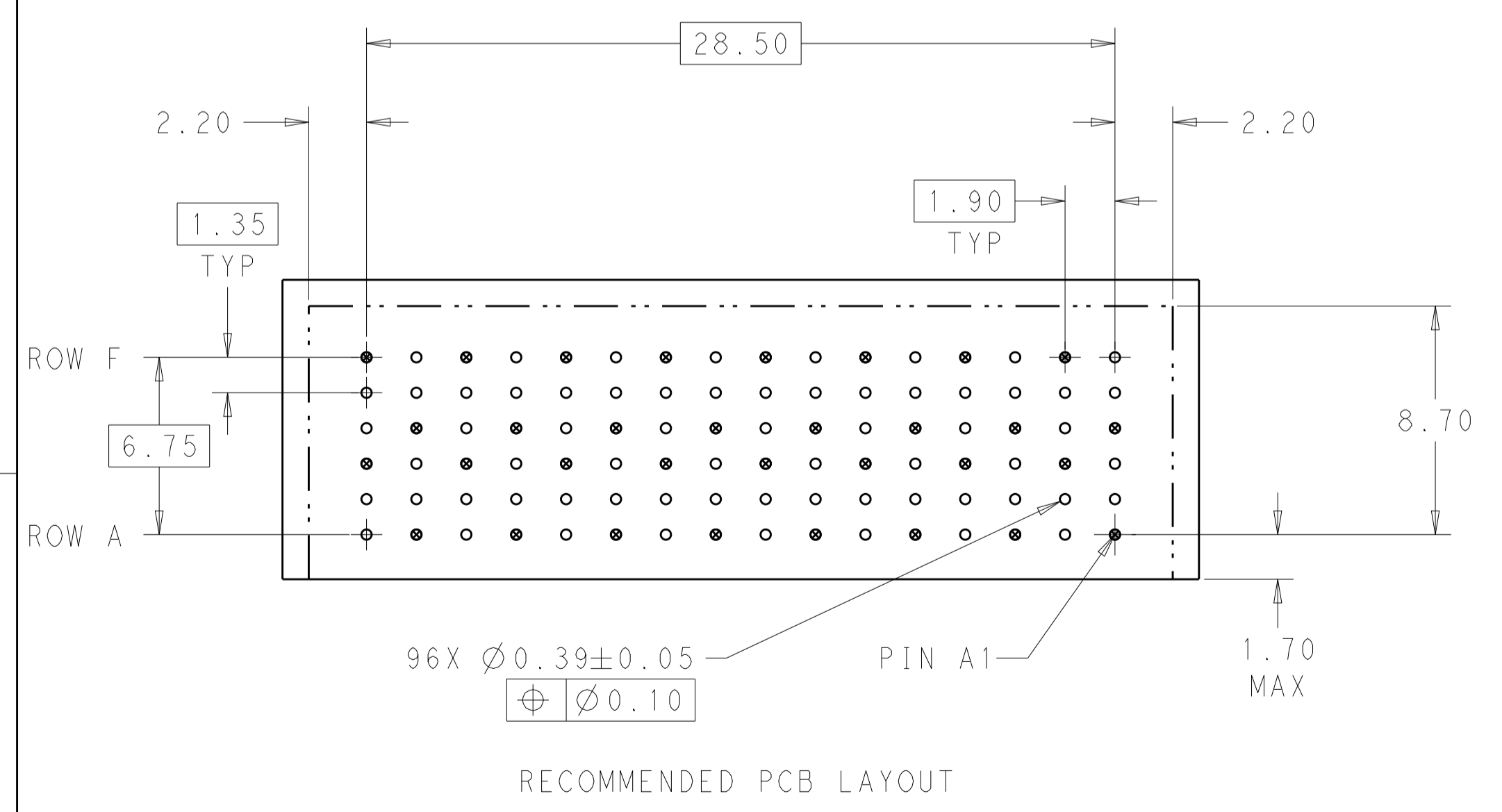
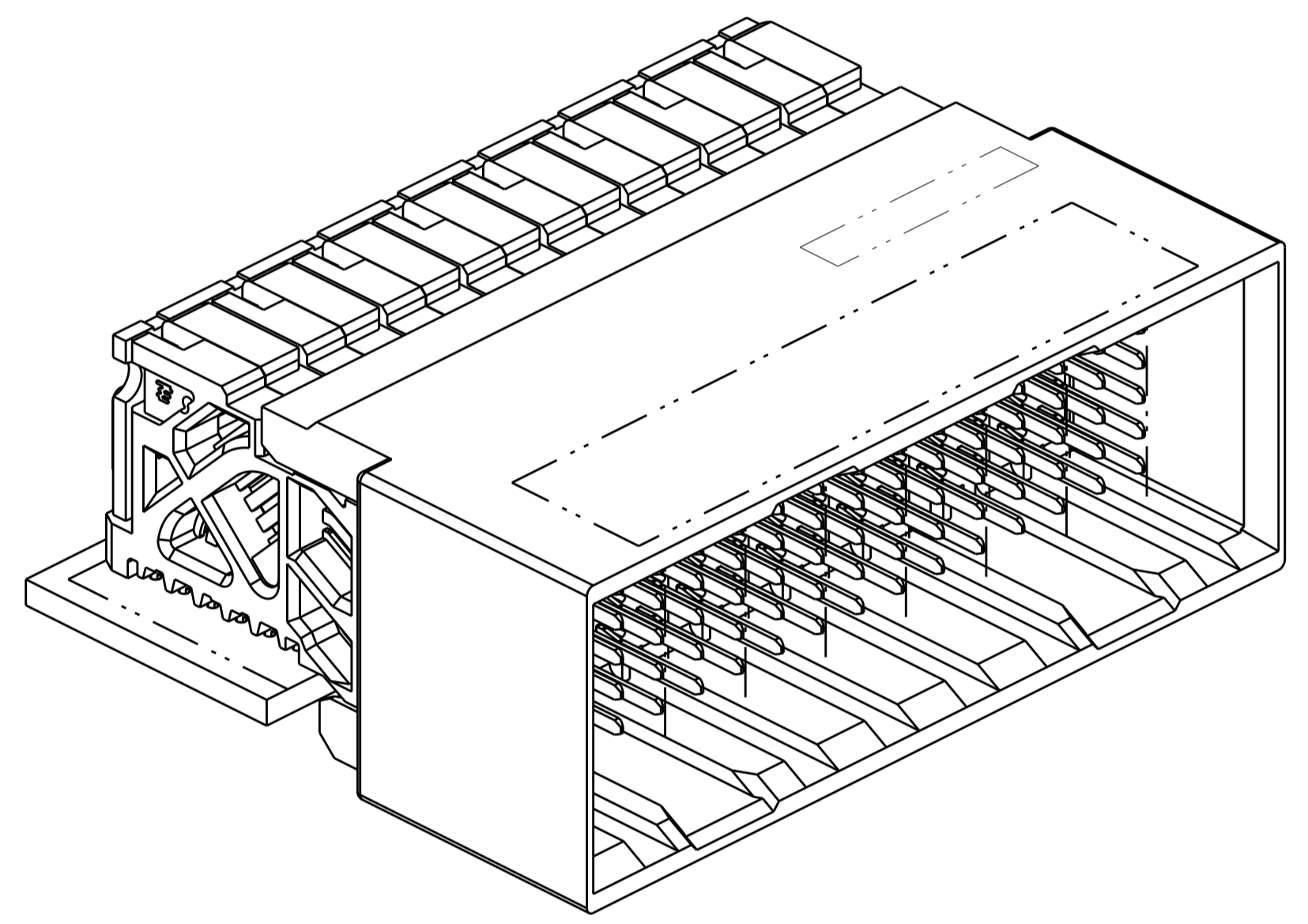
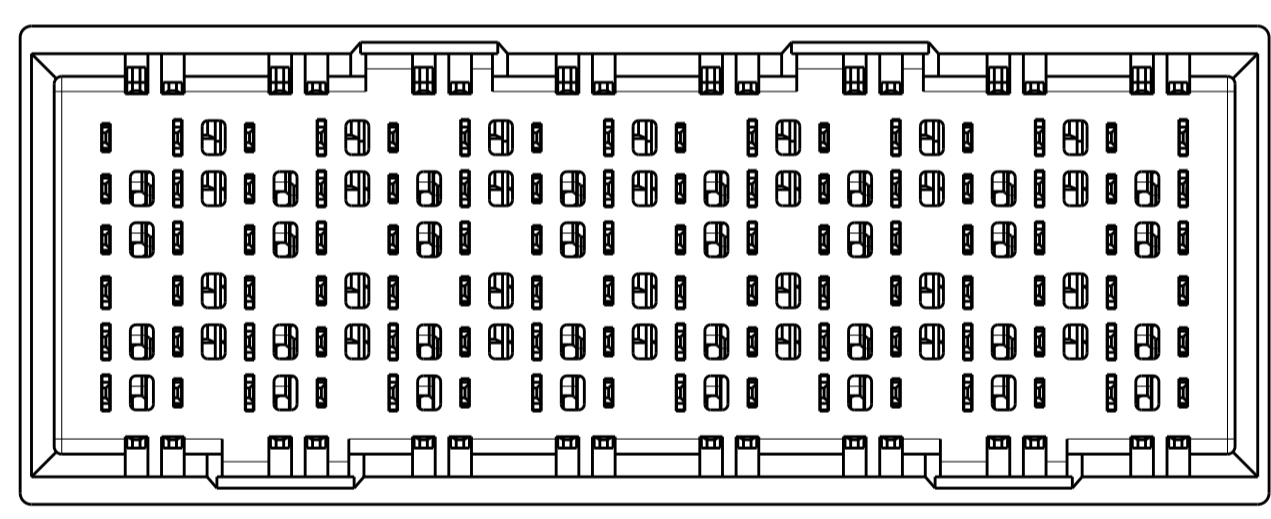


LOC		DIST		REVISIONS			
AD	00	P	LTN	DESCRIPTION	DATE	DWN	APVD
		C		REVISED PER ECO-14-005775	21APR2014	AP	DD

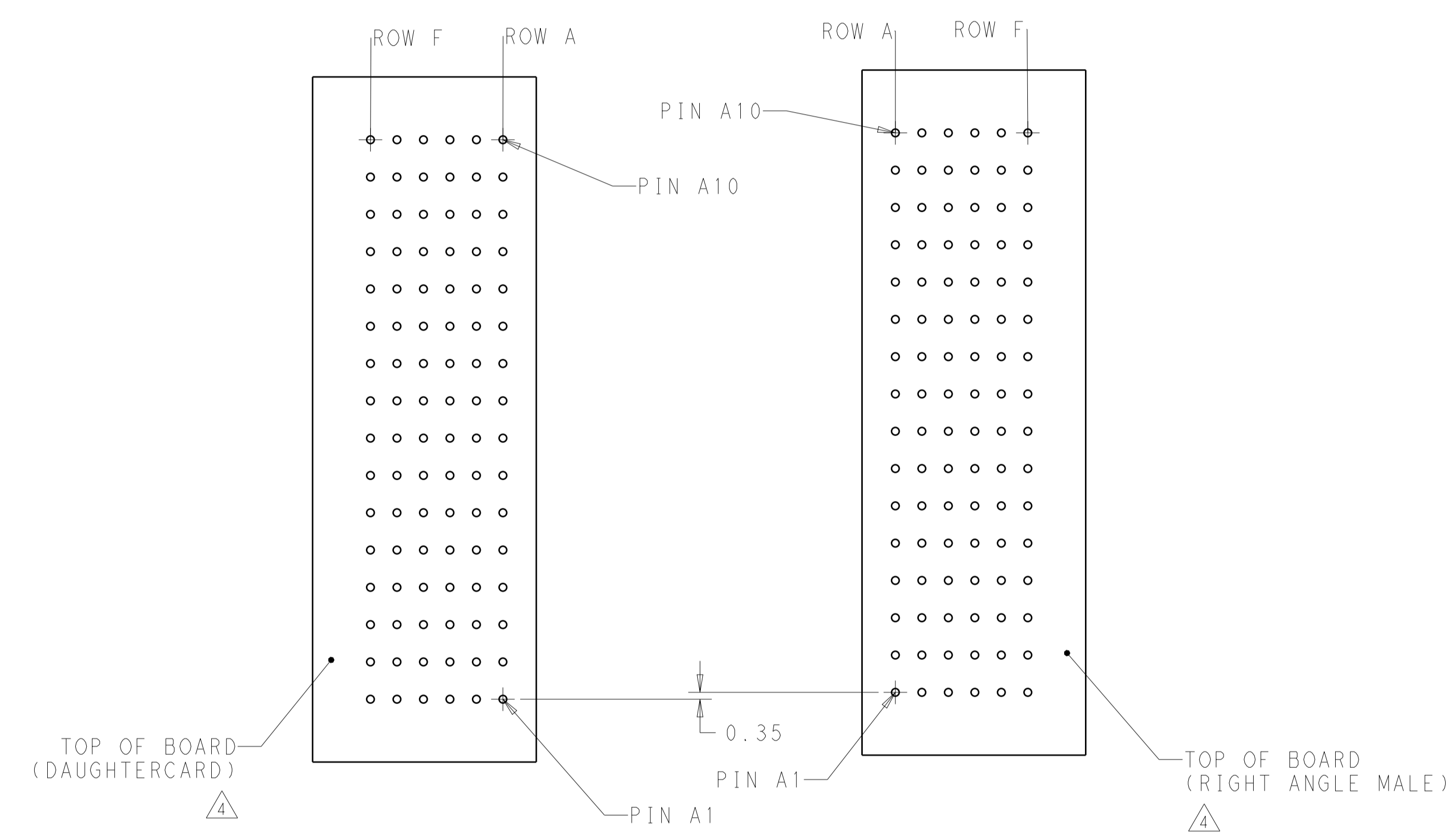


- 1 MATERIAL:
HOUSING: LCP, GLASS FILLED, UL94V-0.
TERMINALS: HIGH PERFORMANCE COPPER ALLOY.
- 2 FINISH:
30µm SELECTIVE GOLD IN CONTACT AREA. SELECTIVE TIN ON PCB TAILS, NICKEL OVERALL.
- 3 FINISH:
30µm SELECTIVE GOLD IN CONTACT AREA. SELECTIVE TIN-LEAD ON PCB TAILS, NICKEL OVERALL.
- 4 UNGUIDED RIGHT ANGLE MALE MATES TO UNGUIDED RIGHT ANGLE RECEPTACLE.
- 5 TE LOGO LOCATED IN APPROXIMATE LOCATION.



THIS DRAWING IS A CONTROLLED DOCUMENT.		DWN	07APR2011	STE TE Connectivity
DIMENSIONS:		CHK	07APR2011	
mm	0 PLC ±0.25 1 PLC ±0.13 2 PLC ±0.13 3 PLC ±0.13 4 PLC ±0.13	APVD	07APR2011	NAME IMPACT, STD, RAM, 2 PAIR, 16 COLUMN, UNGUIDED DUALEND WALL SIGNAL MODULE, 0.39 EYELET
TOLERANCES UNLESS OTHERWISE SPECIFIED:		PRODUCT SPEC		
MATERIAL		APPLICATION SPEC		SIZE
FINISH SEE TABLE		WEIGHT		A100779C=2143311
CUSTOMER DRAWING		SCALE		5:1 SHEET 1 OF 2 REV C

LOC		DIST		REVISIONS			
AD	00	P	LTN	DESCRIPTION	DATE	DWN	APVD
		-		SEE SHEET 1	-	-	-



COPLANAR MATED SIGNAL PATHS



	5.50	2143311-6
	4.90	2143311-5
	5.50	2143311-3
	4.90	2143311-2
FINISH	DIM M	PART NUMBER

REFER TO WWW.TE.COM FOR PRODUCT AVAILABILITY

THIS DRAWING IS A CONTROLLED DOCUMENT.		DWN	07APR2011	TE Connectivity
DIMENSIONS:		CHK	07APR2011	
mm		J. EARY		
TOLERANCES UNLESS OTHERWISE SPECIFIED:		APVD	07APR2011	
0 PLC ±		NAME		IMPACT, STD, RAM, 2 PAIR, 16 COLUMN, UNGUIDED DUALEND WALL SIGNAL MODULE, 0.39 EYELET
1 PLC ±0.25		PRODUCT SPEC		
2 PLC ±0.13		APPLICATION SPEC		
3 PLC ±		WEIGHT		
4 PLC ±		SIZE		A100779C=2143311
ANGLES		FINISH		RESTRICTED TO
SEE TABLE		CUSTOMER DRAWING		SCALE 5:1 SHEET 2 OF 2 REV C

单击下面可查看定价，库存，交付和生命周期等信息

[>>TE Connectivity\(泰科\)](#)