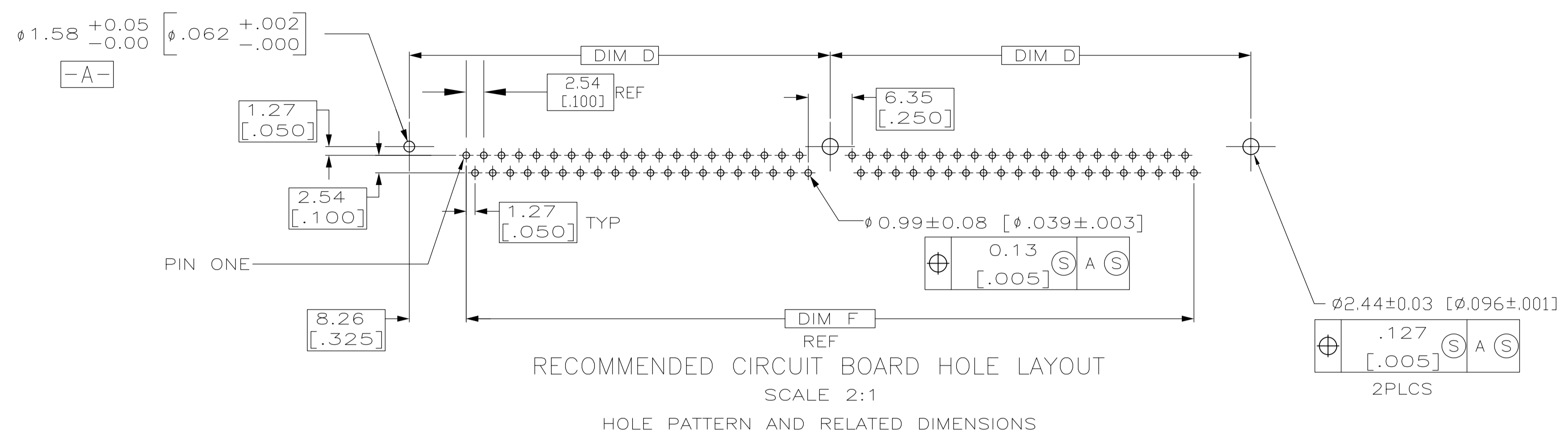
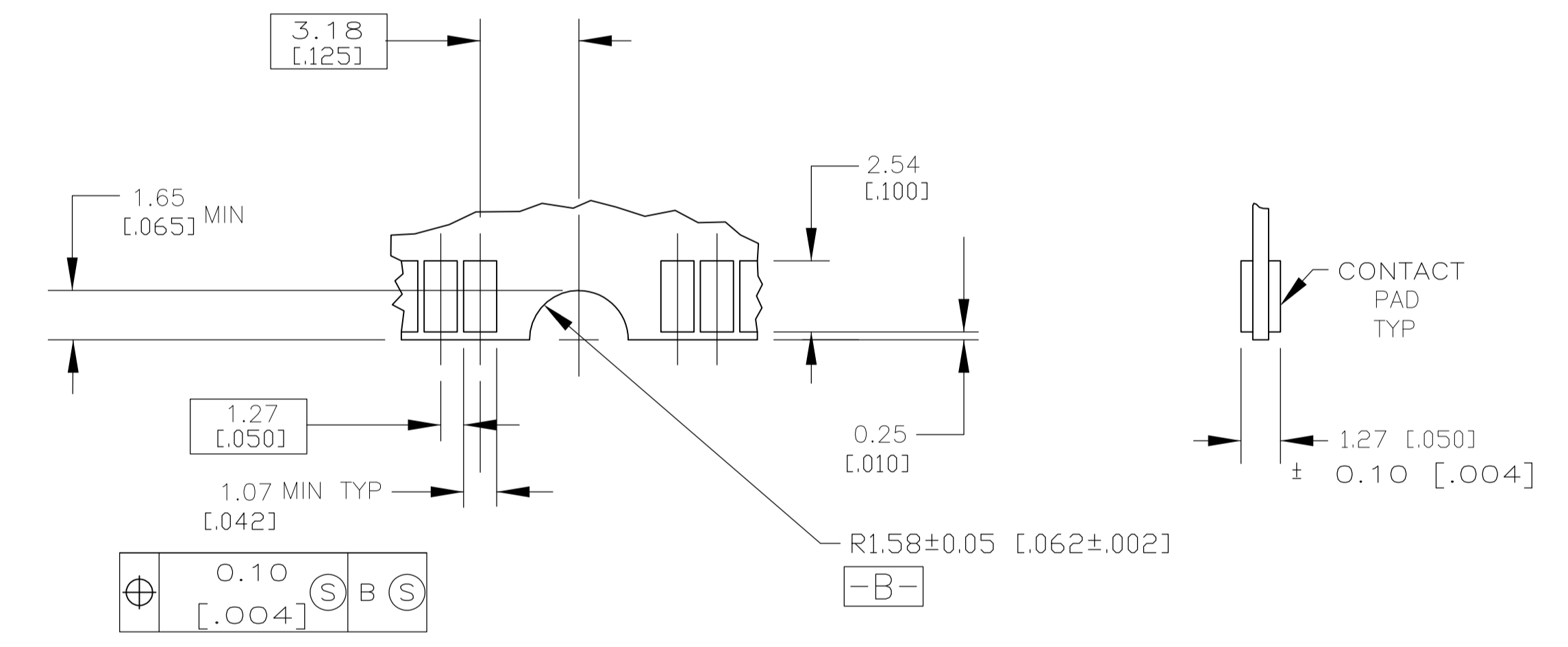
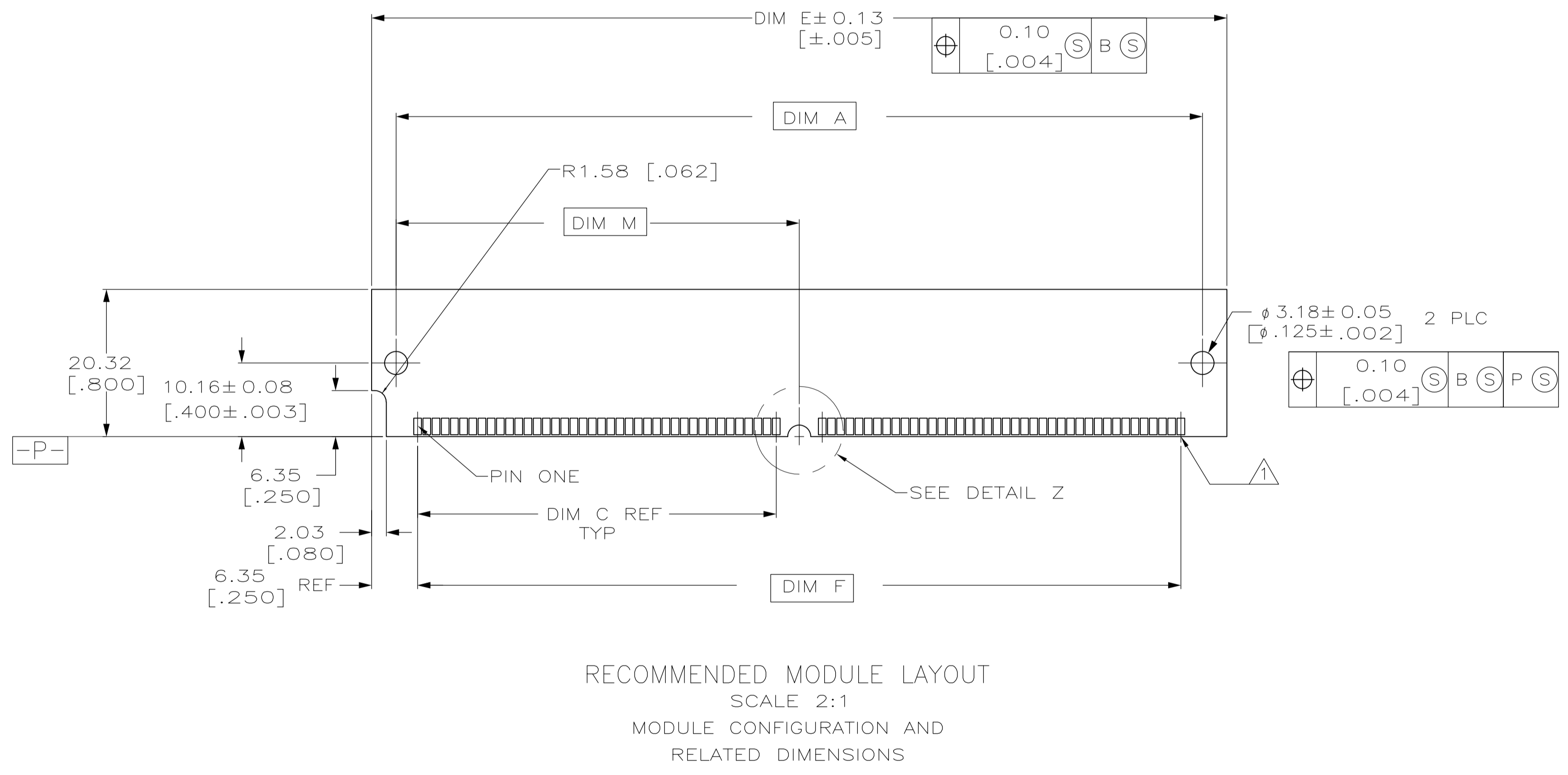


THIS DRAWING IS A CONTROLLED DOCUMENT.		DIN	WENKE HE	29MAR05	 TE Connectivity
DIMENSIONS: INCHES		CHK	STEVEN YAO	29MAR05	
TOLERANCES UNLESS OTHERWISE SPECIFIED:		APVD	IENOMOTO	29MAR05	NAME
0. PLC	± -	PRODUCT SPEC		SIMM II RTANG 1.27[.050]	
1. PLC	± -	APPLICATION SPEC		1.27 [.500] CL ASSY.,	
2. PLC	± -	MATERIAL		6.350 [.250] HEIGHT	
3. PLC	± .127(.005)	FINISH		SIZE	CAGE CODE
4. PLC	± -	MATERIAL HSG:GLASS REINF		A1	00779
ANGLES	± -	WEIGHT		C=5382486	
CUSTOMER DRAWING		SCALE		4:1	SHEET 1 OF 2
		REV		P	



1 FOR OPTIMUM PERFORMANCE, CONTACT PAD PLATING SHOULD BE SMOOTH AND FLAT. COPPER CONTACT PADS ARE TO BE OVERPLATED WITH .00127[.000050] MIN THK NICKEL FOLLOWED WITH 0.00254[.000100] MIN THK TIN PLATING.

2 0.00381 [.000150] MIN. THK TIN OVER 0.00127 [.000050] MIN. THK NICKEL OVER ENTIRE CONTACT.



55.68 [2.192]	121.92 [4.800]	105.41 [4.150]	118.11 [4.650]	60.96 [2.400]	49.53 [1.950]	125.73 [4.950]	111.35 [4.384]	80	8-5382486-0
50.60 [1.992]	111.76 [4.400]	95.25 [3.750]	107.95 [4.250]	55.88 [2.200]	44.45 [1.750]	115.57 [4.550]	101.19 [3.984]	72	7-5382486-2
DIM M	DIM J	DIM F	DIM E	DIM D	DIM C	DIM B	DIM A	POSN	PART NO.

THIS DRAWING IS A CONTROLLED DOCUMENT.		DIN WENKE HE 29MAR05		STEVEN YAO 29MAR05		IENOMOTO 29MAR05		NAME		SIMM II, RTANG, 1.27 [.050] CL ASSY., 6.35 [.250] HGT	
DIMENSIONS: INCHES		TOLERANCES UNLESS OTHERWISE SPECIFIED:		0 PLC ± -		1 PLC ± -		2 PLC ± -		3 PLC ± 0.13 [.005]	
				4 PLC ± -		ANGLES ± -		APPLICATION SPEC		SIZE CAGE CODE DRAWING NO	
MATERIAL		FINISH		WEIGHT		A1 00779		C=5382486		RESTRICTED TO	
CUSTOMER DRAWING		SCALE 4:1		SHEET 2 OF 2		REV P					

单击下面可查看定价，库存，交付和生命周期等信息

[>>TE Connectivity\(泰科\)](#)