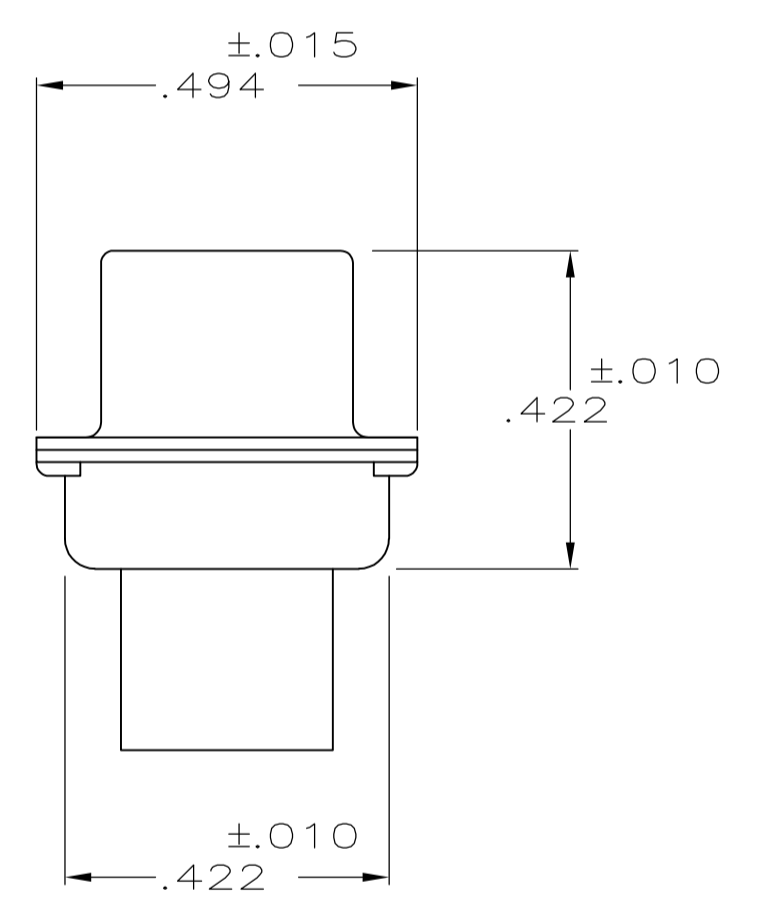
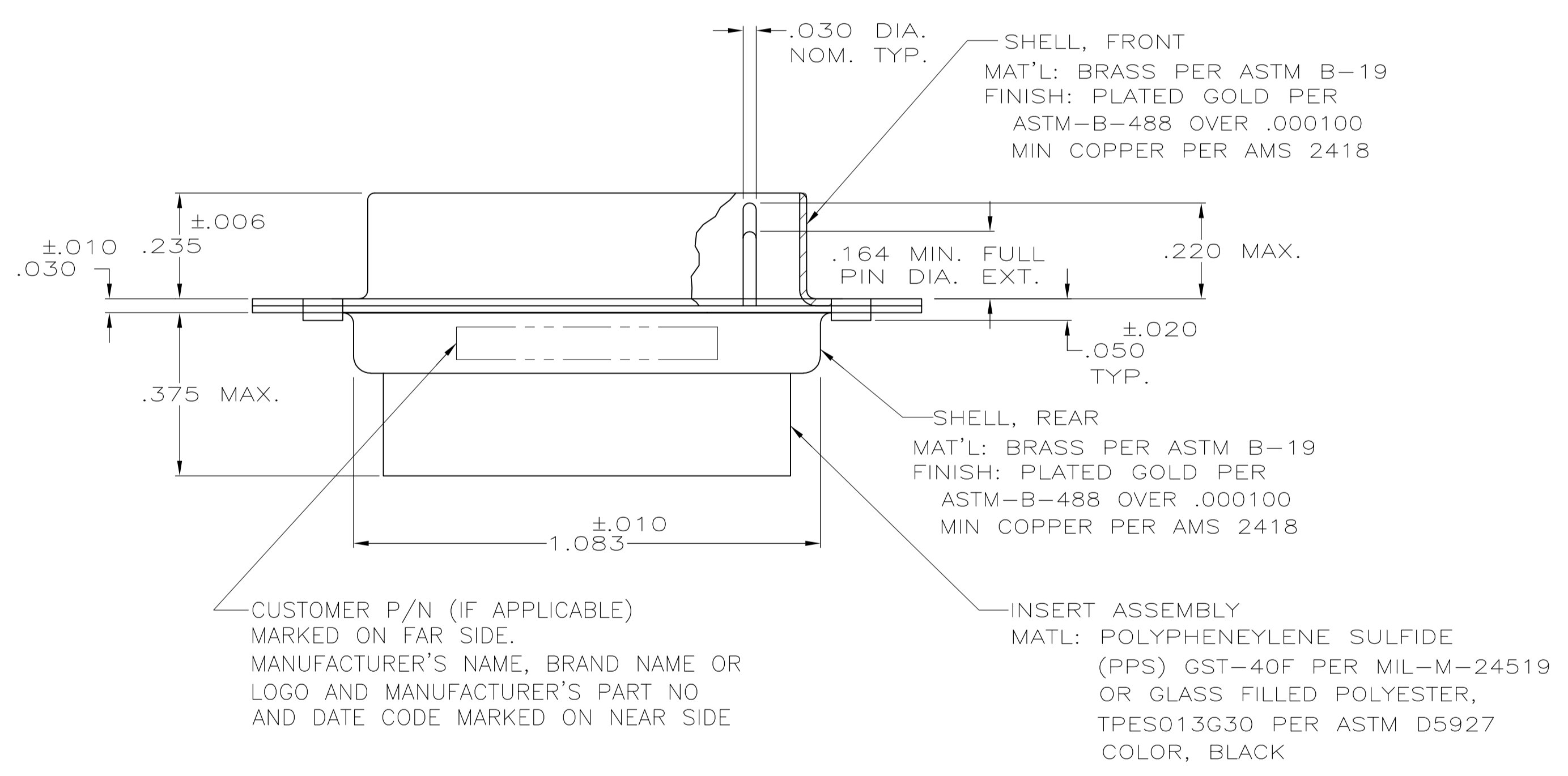
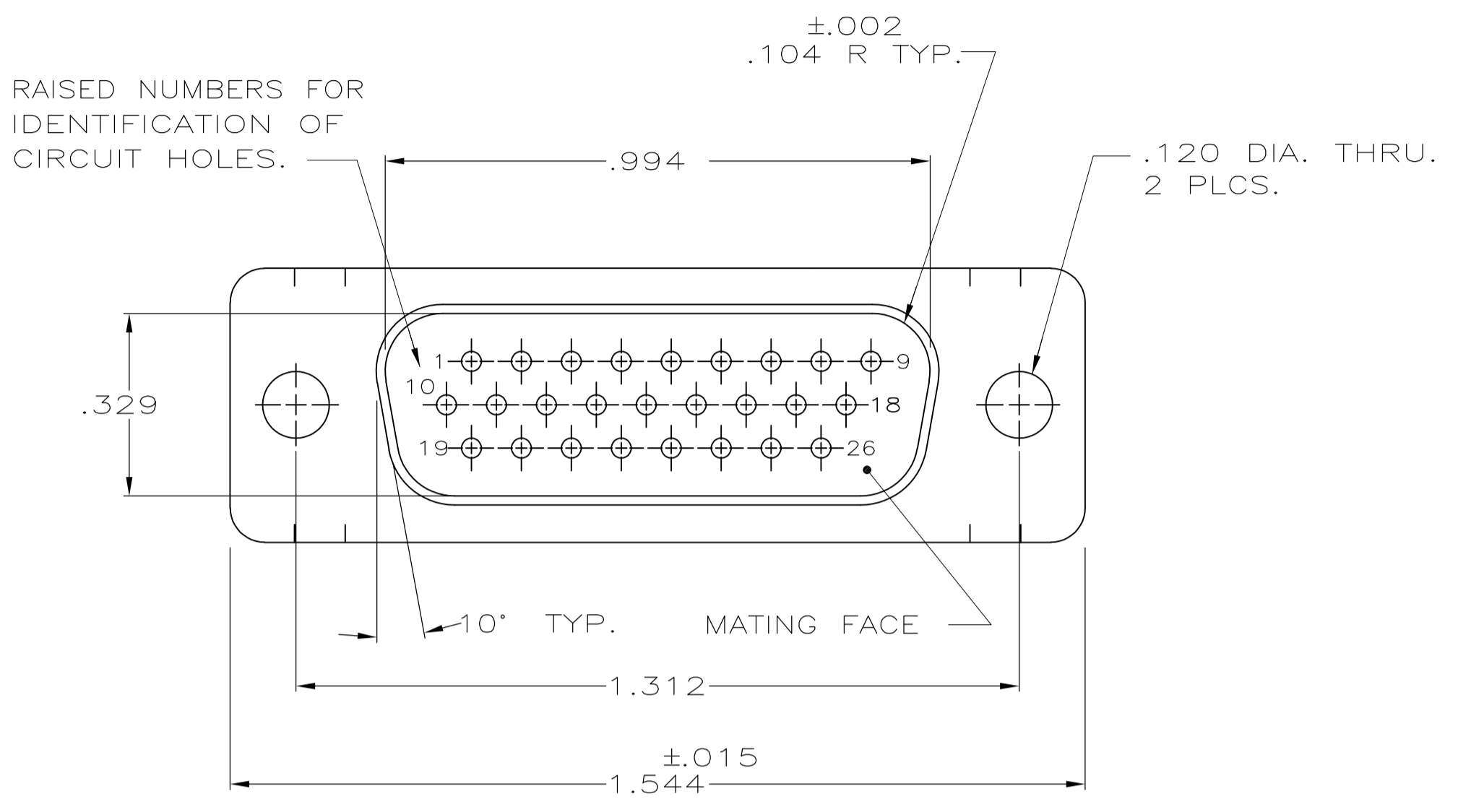


1. THIS PLUG WILL MATE WITH ANY SIZE 2,26 POSN. RECEPTACLE IN AMPLIMITE SERIES.
2. CONNECTOR SUPPLIED WITHOUT CONTACTS; SHOWN FOR ILLUSTRATION ONLY.
3. BE-CU RETENTION CLIPS ARE INCLUDED IN INSERTS AND INSTALLED WITH TINES POINTING TOWARDS MATING FACE.
4. OVERALL DIMENSIONS DO NOT INCLUDE RAISED CAVITY IDENTIFICATION
5. MARKING FAR SIDE REFERS TO WIDE SIDE OF KEYSTONE. NEAR SIDE REFERS TO NARROW SIDE OF KEYSTONE
6. 100% INSPECTION REQUIRED PER BOEING 1B01:
 - A. VISUAL
 - B. DWV
 - C. IR
7. CUSTOMER REQUIRES SINGLE LOT DATE CODE.



REMARKS	1B01-008PHW	1-211650-1
	1B01-008	211650-1
REMARKS	CUSTOMER PART NUMBER	PART NO.

THIS DRAWING IS A CONTROLLED DOCUMENT.		DIN	3-12-84	Tyco Electronics Corporation Harrisburg, PA 17105-3608
DIMENSIONS: INCHES		D. ERDMAN	4-26-84	
TOLERANCES UNLESS OTHERWISE SPECIFIED:		CHK	4-26-84	NAME: PLUG ASS'Y.,AMPLIMITE, 26 POSN, SIZE 2, SERIES 90 NON-MAGNETIC
0 PLC ± -		B. YOHN	7-5-84	
1 PLC ± -		APVD	G. SACUNAS	PRODUCT SPEC
2 PLC ± -		APPLICATION SPEC		SIZE
3 PLC ± .005		WEIGHT		RESTRICTED TO
4 PLC ± -		A1 00779		SCALE 4:1
ANGLES ± 0°30'		C=211650		SHEET 1 OF 1
MATERIAL SEE CALLOUTS		CUSTOMER DRAWING		REV F

单击下面可查看定价，库存，交付和生命周期等信息

[>>TE Connectivity\(泰科\)](#)