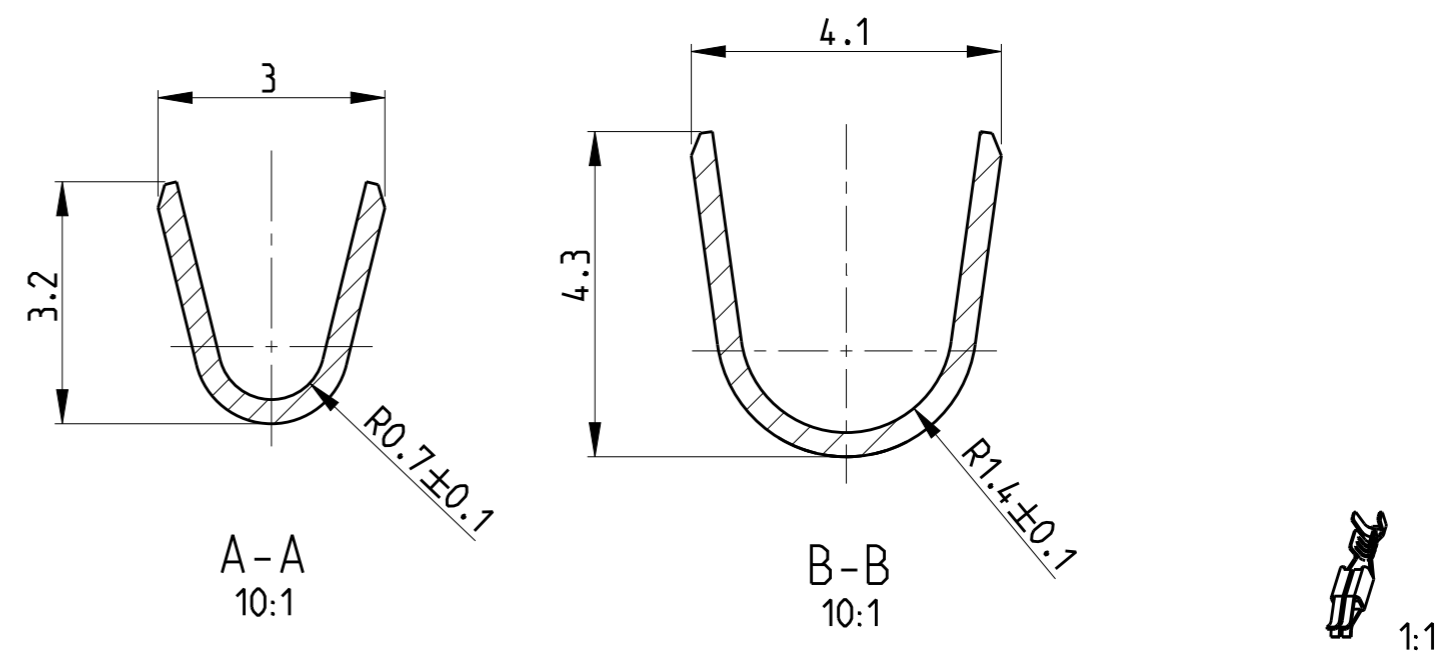
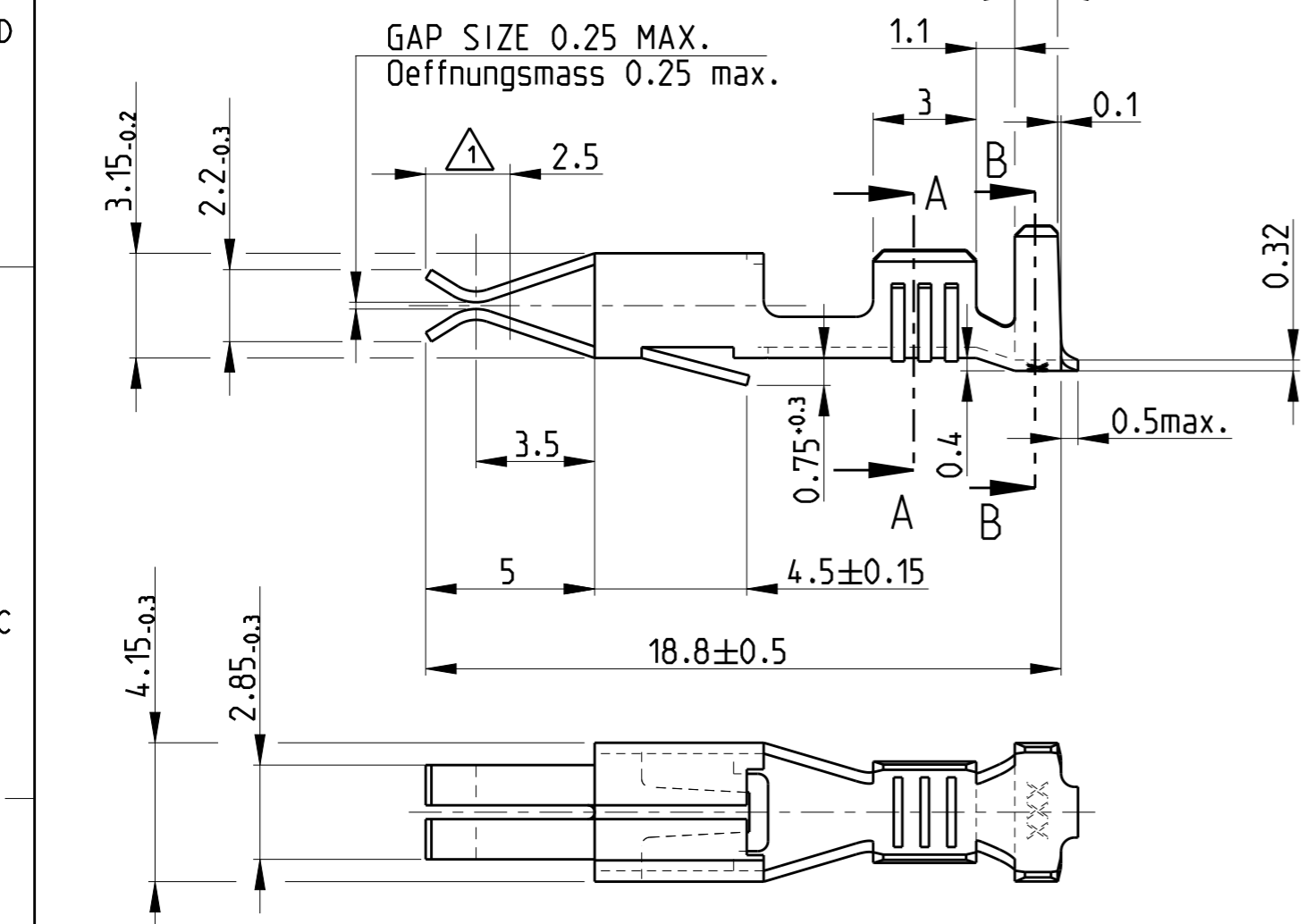


THIS DRAWING IS UNPUBLISHED. RELEASED FOR PUBLICATION 2005
 © COPYRIGHT 2005 ALL RIGHTS RESERVED.

LOC	DIST	REVISIONS				
P	LTR	DESCRIPTION	DATE	DWN	APVD	
A1	-	Y2	REVISED PER ECO-11-005027	19MAY2011	RK	HMR
		Y3	SET PN 925590-8 TO OBSOLETE	03MAR2015	Ho.	Eder
		Y4	ECR-15-012070	13AUG2015	JB JH	BK



Leitung/WIRE: FLK-Leitng/FLK-WIRE
 Leiter/WIRE: F-Crimp
 Isolation: F-Crimp

Drahtgroessenbereich 0.5-1.5 mm²
 WIRE RANGE 0.5-1.5 mm²
 Isolationsbereich Ø2.0-3.0 mm²
 ISOLATION RANGE Ø2.0-3.0 mm²

		CROSS - SECTION IN mm ² Leitungsquerschnitt in mm ²								
Einzel-anschlag SINGLE CONNECTION		0.50	0.75	1.00	1.50	2.00	2.50	3.00	4.00	6.00
		0.50	X	X						
0.75	X									
1.00	X									
1.50	X									
2.00										
2.50										
3.00										

NOTES/Bemerkungen	MATERIAL	SURFACE COLOR	PART NO	REV
SPLICE FREE	CuSn4	PRE TINED /vorverzinkt	1-925590-1	Y
	CuNi12Zn24	blank/PLAIN	1-925590-0	Y
nur fuer/ONLY FOR TYCO GB	CuSn4	PRE TINED /vorverzinkt	925590-9	Y
nur fuer/ONLY FOR TYCO Brasilien/BRASIL	CuSn4	ELECTRO TIN/verzinkt	925590-8	Y
	CuSn4	SILVER PLATED /versilbert	925590-6	Y
	CuSn4	PLAIN/blank	925590-5	Y
	CuZn30	PRESILVER /vorversilbert	925590-4	Y
	CuSn4	GOLD PLATED /vergoldet	925590-3	Y
	CuSn4	PRE TINED /vorverzinkt	925590-2	Y
	CuZn30	PRE TINED /vorverzinkt	925590-1	Y

THIS DRAWING IS A CONTROLLED DOCUMENT.

DIMENSIONS: mm

TOLERANCES UNLESS OTHERWISE SPECIFIED:
 0 PLC ±0.2
 1 PLC ±0.2
 2 PLC ±0.2
 3 PLC ±0.2
 4 PLC ±0.2
 ANGLES ±1°
 FINISH

MATERIAL: -

Customer Drawing

DWN: Abraham.G. 19SEP2005
 CHK: Brunner.M. 20SEP2005
 APVD: Bleicher.M. 21SEP2005

NAME: Junior-Timer-Kontakt
 Junior-Timer-Kontakt

TE Connectivity

108-18053
 APPLICATION SPEC
 114-18079

WEIGHT: 0.35 g

SIZE: A3
 CAGE CODE: 00779
 DRAWING NO: C-925590

RESTRICTED TO: -

SCALE: 5:1
 SHEET: 1 OF 1
 REV: Y4

单击下面可查看定价，库存，交付和生命周期等信息

[>>TE Connectivity\(泰科\)](#)