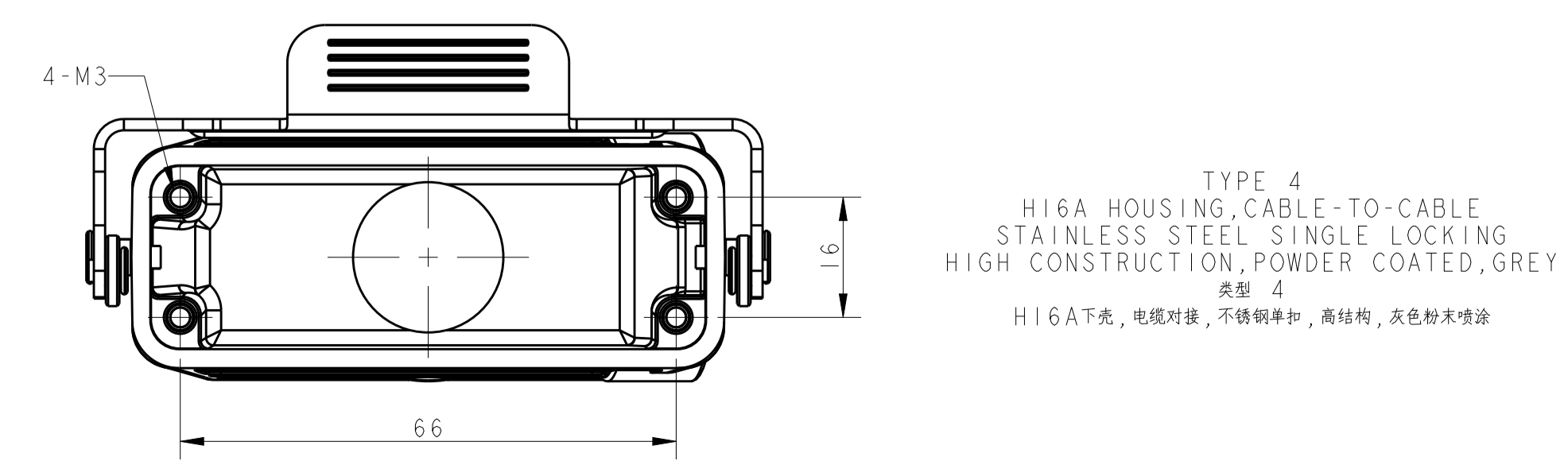
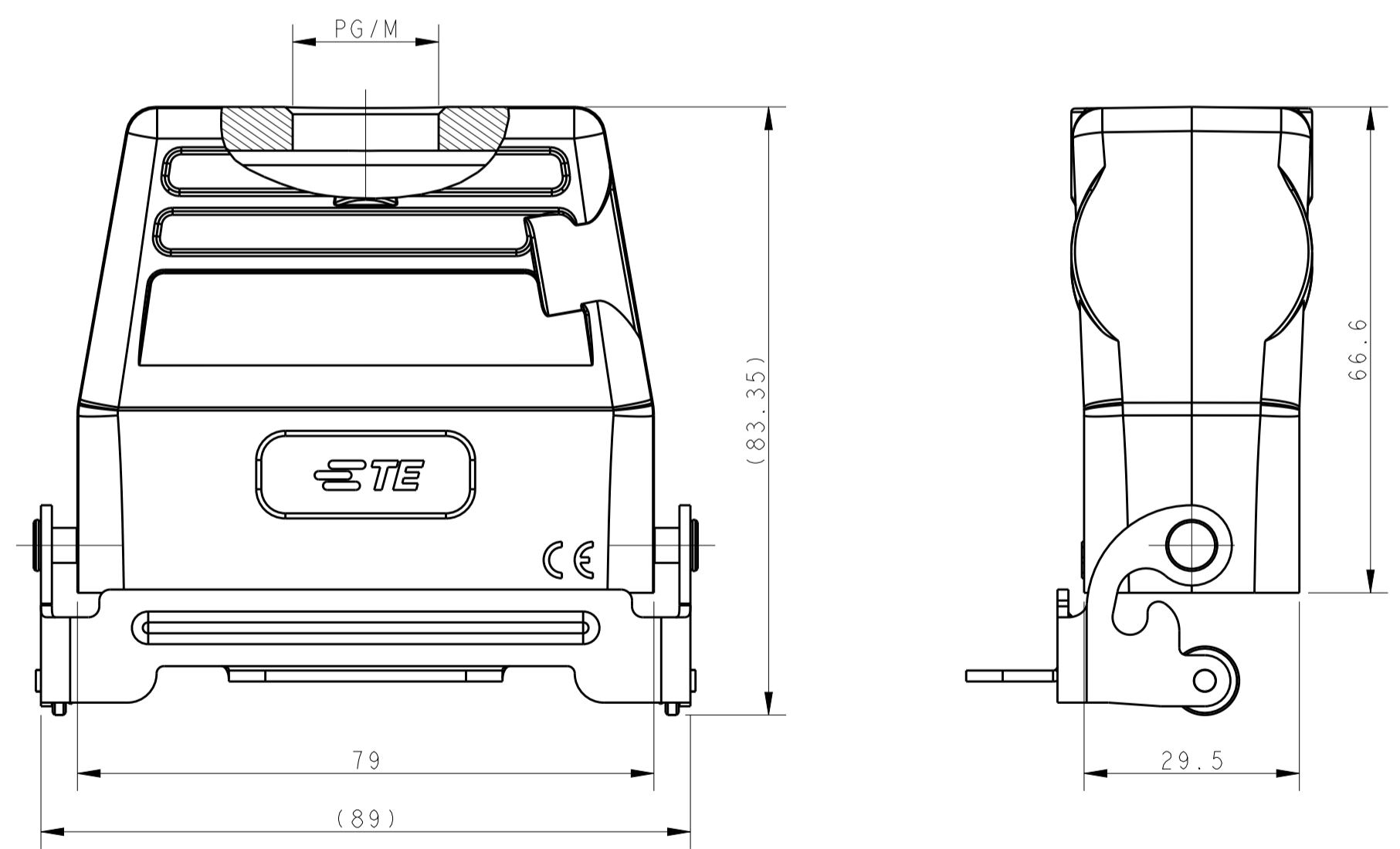
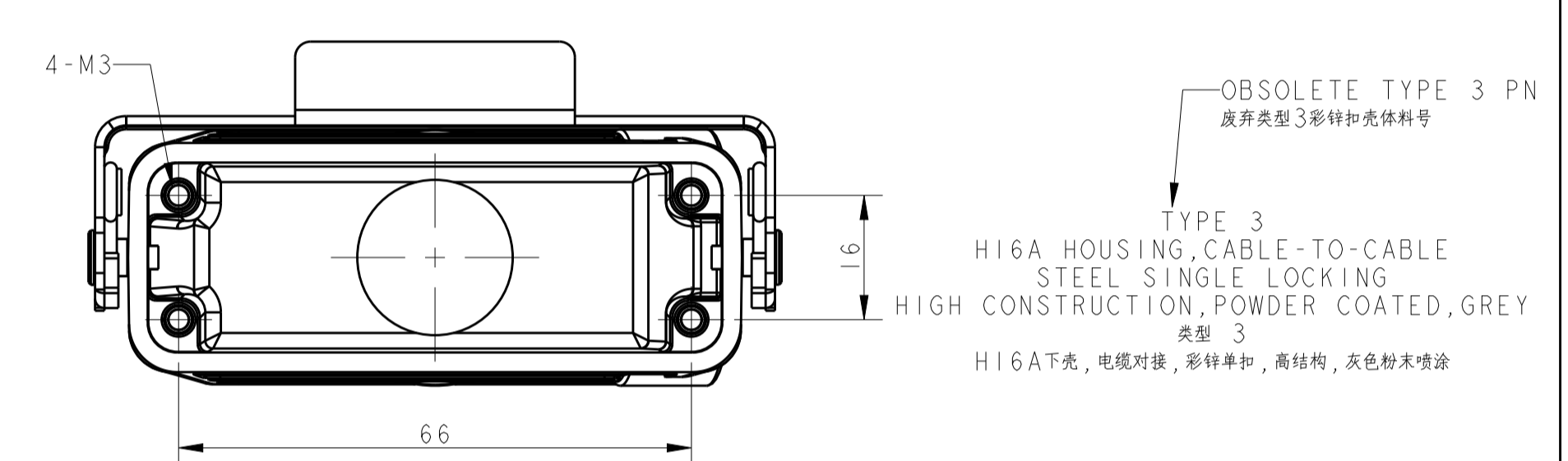
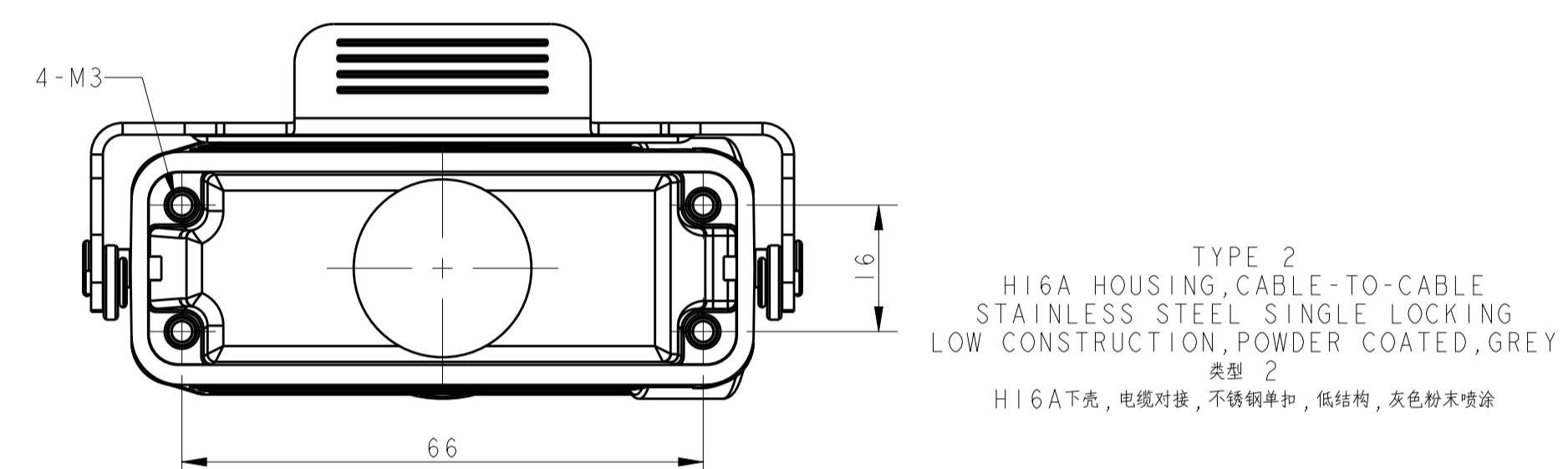
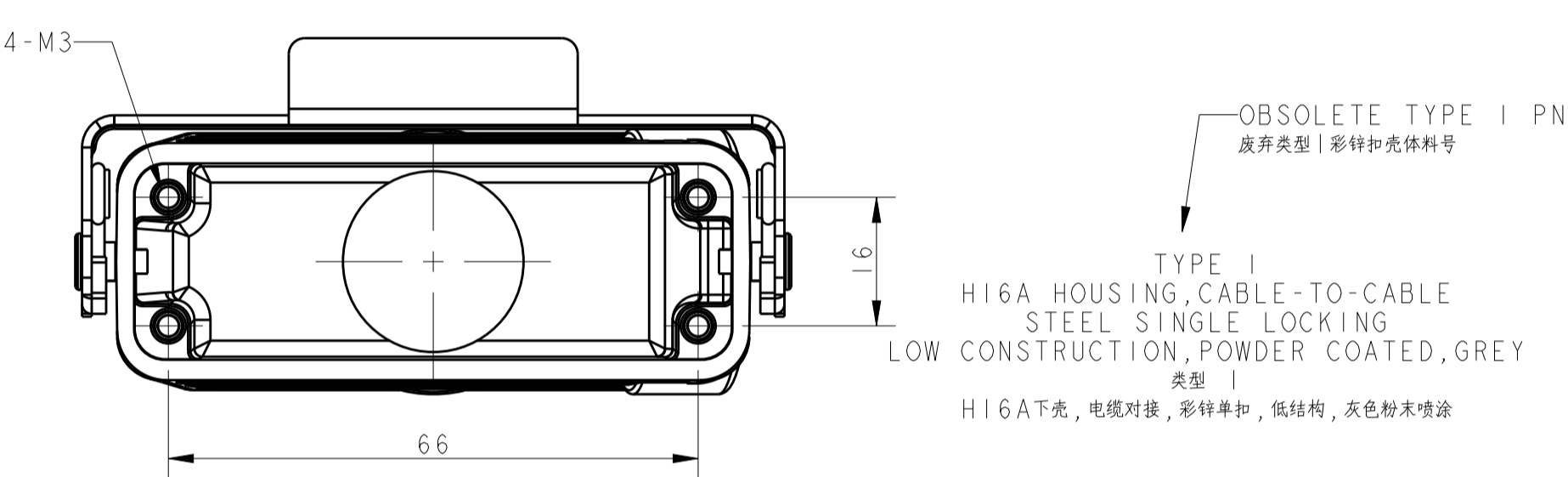
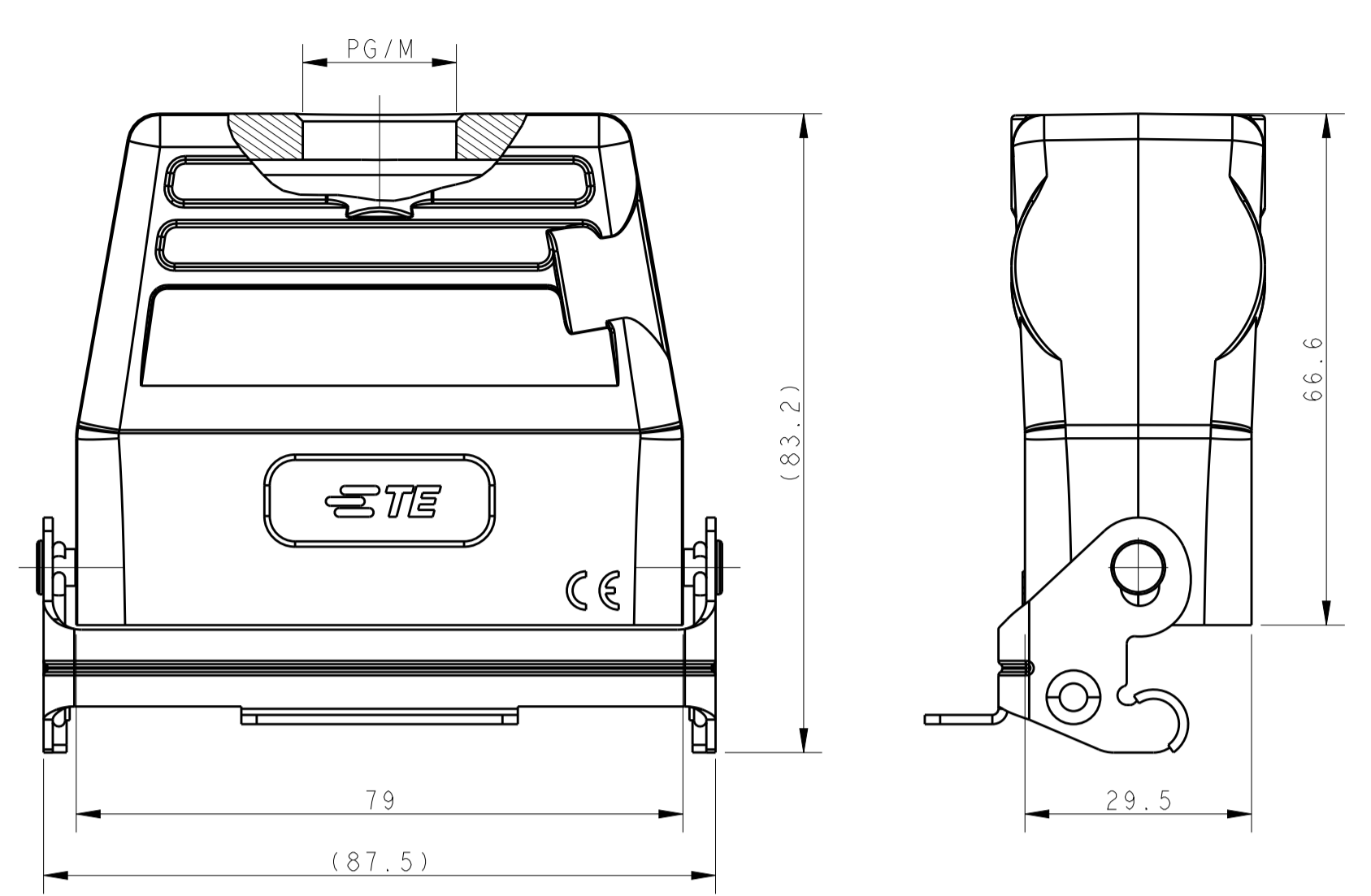
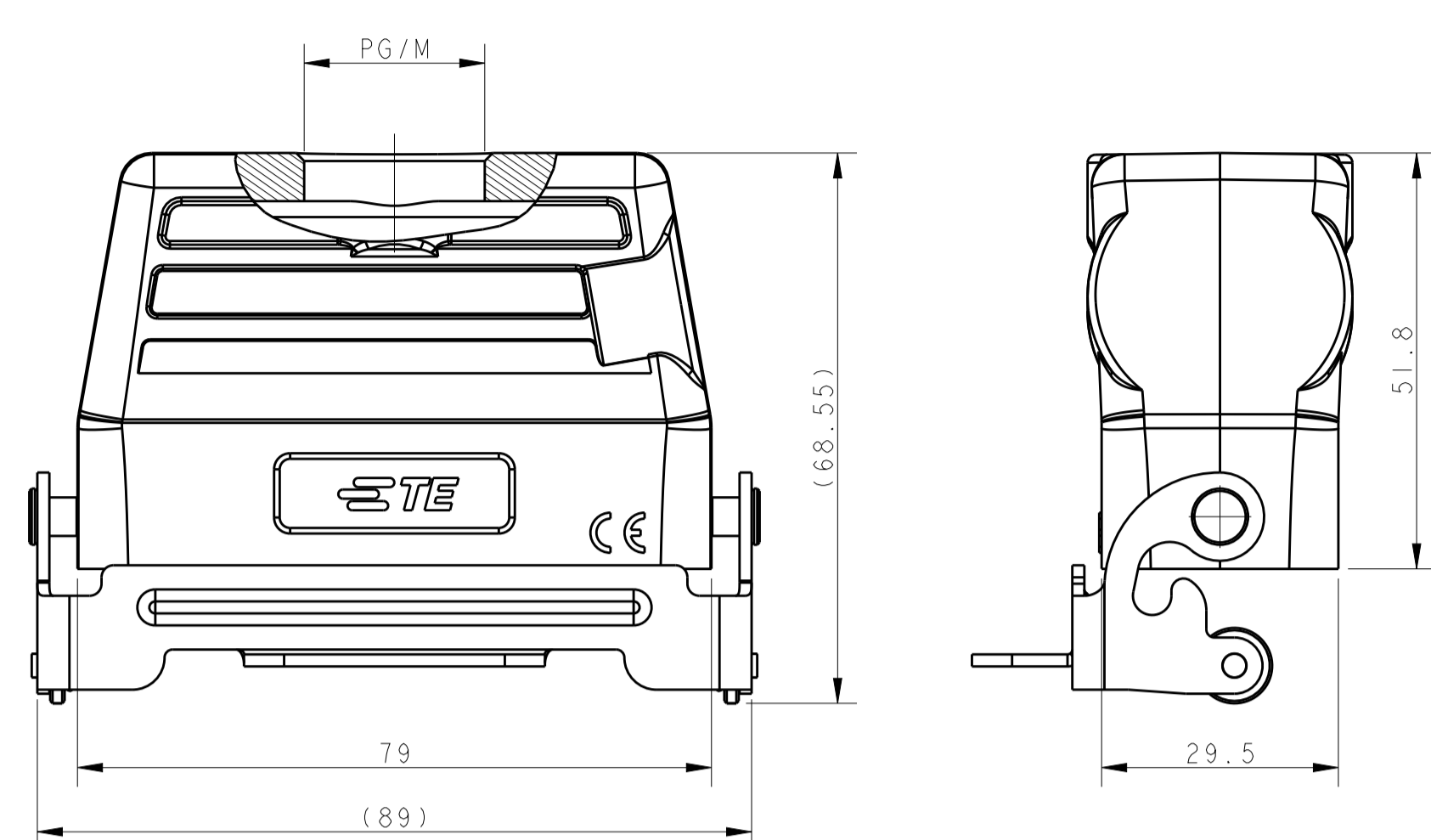
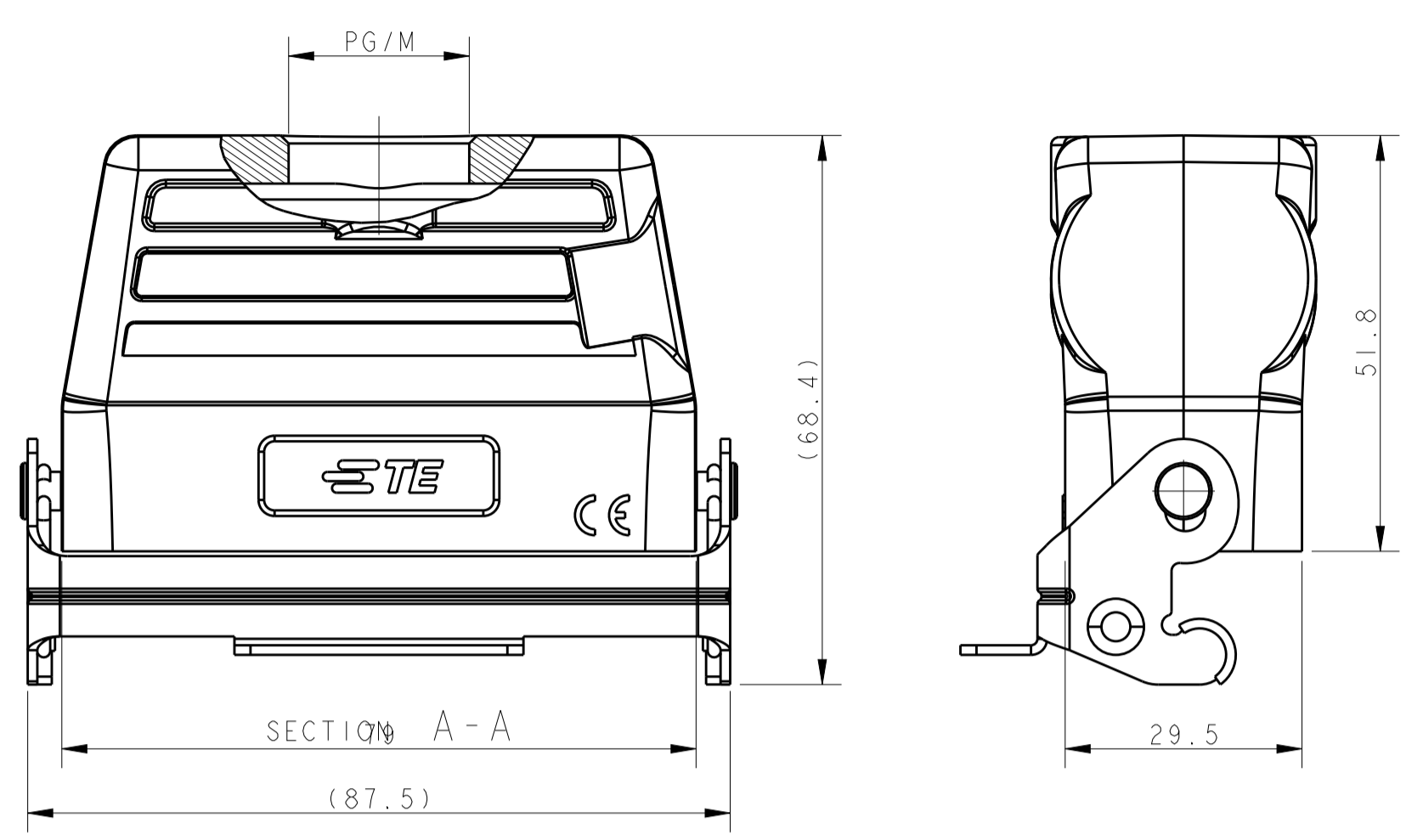


| REVISIONS |     |                 |           |          |
|-----------|-----|-----------------|-----------|----------|
| P.        | LTN | DESCRIPTION     | DATE      | OWN APVD |
| A         |     | INITIAL RELEASE | 08MAY2015 | DL CW    |
| A1        |     | ECR-16-018055   | 21DEC2016 | DL CW    |
| B         |     | ECR-20-009510   | 28DEC2020 | BS CW    |



|          |                          |                               |  |                               |                   |
|----------|--------------------------|-------------------------------|--|-------------------------------|-------------------|
| OBSOLETE | T1739160116-000          | HI6A-TBF-PG16                 | HI6A HOUSING, CABLE-TO-CABLE<br>STEEL SINGLE LOCKING<br>LOW CONSTRUCTION, POWDER COATED, GREY<br>HI6A下壳, 电缆对接, 彩锌单扣, 低结构, 灰色粉末喷涂             | PG16                          | TYPE 1            |
| OBSOLETE | T1739160120-000          | HI6A-TBF-M20                  |  | M20                           |                   |
| OBSOLETE | T1739160121-000          | HI6A-TBF-PG21                 |  | PG21                          |                   |
| OBSOLETE | T1739160125-000          | HI6A-TBF-M25                  |  | M25                           |                   |
|          | T1739161116-000          | HI6A-TBFS-PG16                | HI6A HOUSING, CABLE-TO-CABLE<br>STAINLESS STEEL SINGLE LOCKING<br>LOW CONSTRUCTION, POWDER COATED, GREY<br>HI6A下壳, 电缆对接, 不锈钢单扣, 低结构, 灰色粉末喷涂  | PG16                          | TYPE 2            |
|          | T1739161120-000          | HI6A-TBFS-M20                 |  | M20                           |                   |
|          | T1739161121-000          | HI6A-TBFS-PG21                |  | PG21                          |                   |
|          | T1739161125-000          | HI6A-TBFS-M25                 |  | M25                           |                   |
| OBSOLETE | T1779160116-000          | HI6A-TBFH-PG16                | HI6A HOUSING, CABLE-TO-CABLE<br>STEEL SINGLE LOCKING<br>HIGH CONSTRUCTION, POWDER COATED, GREY<br>HI6A下壳, 电缆对接, 彩锌单扣, 高结构, 灰色粉末喷涂            | PG16                          | TYPE 3            |
| OBSOLETE | T1779160120-000          | HI6A-TBFH-M20                 |  | M20                           |                   |
| OBSOLETE | T1779160121-000          | HI6A-TBFH-PG21                |  | PG21                          |                   |
| OBSOLETE | T1779160125-000          | HI6A-TBFH-M25                 |  | M25                           |                   |
|          | T1779161116-000          | HI6A-TBFHS-PG16               | HI6A HOUSING, CABLE-TO-CABLE<br>STAINLESS STEEL SINGLE LOCKING<br>HIGH CONSTRUCTION, POWDER COATED, GREY<br>HI6A下壳, 电缆对接, 不锈钢单扣, 高结构, 灰色粉末喷涂 | PG16                          | TYPE 4            |
|          | T1779161120-000          | HI6A-TBFHS-M20                |  | M20                           |                   |
|          | T1779161121-000          | HI6A-TBFHS-PG21               |  | PG21                          |                   |
|          | T1779161125-000          | HI6A-TBFHS-M25                |  | M25                           |                   |
|          | <b>PART NUMBER</b><br>料号 | <b>PART DESCRIPTION</b><br>描述 |  | <b>PG/M THREAD</b><br>PG/M螺纹孔 | <b>TYPE</b><br>类型 |

NOTES:  
 1. TECHNICAL CHARACTERISTICS:  
 BODY MATERIAL: DIE CAST ALUMINIUM ALLOY  
 SURFACE TREATMENT: POWDER-COATED, GRAY  
 DEGREE OF PROTECTION: IP65 (MATED)

注释:  
 1. 技术参数:  
 主体材料: 铝合金  
 表面处理: 粉末喷涂, 灰色  
 防护等级: IP65(配合)

THIS DRAWING IS A CONTROLLED DOCUMENT. OWN: DAVID LI 08MAY2015  
 CHK: CHRIS WANG 08MAY2015  
 APVD: XU XIANG 08MAY2015

DIMENSIONS: mm  
 TOLERANCES UNLESS OTHERWISE SPECIFIED:  
 0 PLC ±  
 2 PLC ±  
 3 PLC ±  
 4 PLC ±  
 ANGLES ±

MATERIAL: FINISH: WEIGHT: CUSTOMER DRAWING

PRODUCT SPEC: 108-137010  
 APPLICATION SPEC: 114-137010

NAME: HI6A-TBF\*/TBFH\*-PG/M  
 SIZE: A1 CAGE CODE: DRAWING NO: C=T17X916XXXX000  
 RESTRICTED TO: SCALE: 5:4 SHEET 1 OF 1 REV B

STE TE Connectivity

单击下面可查看定价，库存，交付和生命周期等信息

[>>TE Connectivity\(泰科\)](#)