

THIS DRAWING IS UNPUBLISHED. RELEASED FOR PUBLICATION DEC ,2005.
 © COPYRIGHT 2005 BY TYCO ELECTRONICS CORPORATION. ALL RIGHTS RESERVED.

LOC	DIST	REVISIONS			
P	LTR	DESCRIPTION	DATE	DWN	APVD
E	B	C	ECR-05-017969	14DEC05	JMS FWK

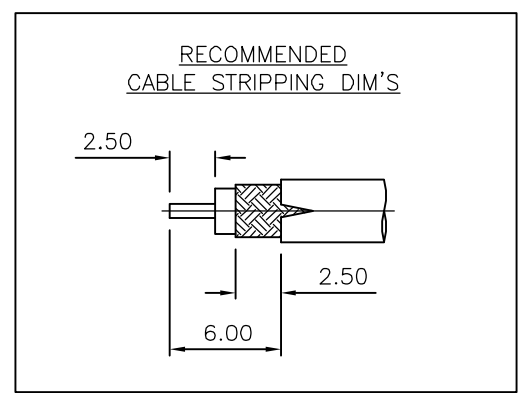
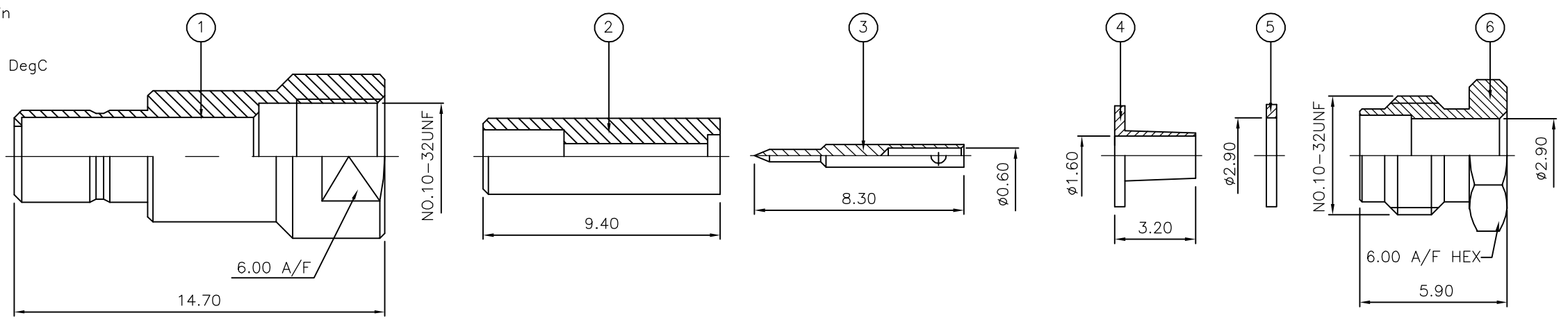
NOTES:

- 1 PACK IN ACCORDANCE WITH AMP SPEC 107-3275
- 2 100 TRAY PACK IN ACCORDANCE WITH AMP SPEC 107-3275
- 3 Au PLATING
- 4 ELECTRICAL CHARACTERISTICS

FREQUENCY RANGE:	DC - 4 GHz
NOMINAL IMPEDANCE:	50 Ohm
INSULATION RESISTANCE:	1000 MOhm
WORKING VOLTAGE:	250 Volts RMS at Sea Level
DIELECTRIC WITHSTAND VOLTAGE:	750 Volts RMS Max
CONTACT RESISTANCE:	
CENTRE CONTACT:	6.00 mOhm Max
OUTER CONTACT:	1.00 mOhm Max
VSWR @ 3GHz:	1.35:1
INSERTION LOSS dB @ x 1.5 GHz:	0.30 Max
- 5 MECHANICAL CHARACTERISTICS

COUPLING NUT RETENTION FORCE:	N/A
CABLE RETENTION FORCE:	
"RG174A/U, 188A/U, 316/U, URM95":	85N Min
"RG178B/U, 196A/U":	25N Min
CLAMP NUT RECOMMENDED TORQUE:	0.6N
DURABILITY:	500 Cycles Min
- 6 ENVIRONMENTAL CHARACTERISTICS

OPERATING TEMPERATURE:	-65 to +165 DegC
------------------------	------------------



QTY	QTY PER ASSY	QTY PER ASSY	MATERIAL	DESCRIPTION	ITEM
1	1	1	BRASS	CLAMP NUT	6
1	1	1	BRASS	WASHER	5
1	1	1	BRASS	FERRULE	4
1	1	1	BRASS	CONTACT	3
1	1	1	PTFE	INSULATION	2
1	1	1	BRASS	BODY	1
6--0	1--0				

THIS DRAWING IS A CONTROLLED DOCUMENT.		DWN J.SANDWELL 14DEC05		Tyco Electronics Corporation Bideford EX39 4HE	
DIMENSIONS: mm		CHK S.PARLOW 14DEC05			
TOLERANCES UNLESS OTHERWISE SPECIFIED:		APVD F.WHEELER-KING 14DEC05		NAME	
0 PLC ± -		PRODUCT SPEC		SMB STRAIGHT JACK SOLDER 50 OHM	
1 PLC ± -		APPLICATION SPEC		RG174A/U, 188A/U, 316/U, URM95,KX3B,KX22A	
2 PLC ± -		411-3258		SIZE	A3
3 PLC ± -		WEIGHT -		CAGE CODE	00779
4 PLC ± -		CUSTOMER DRAWING		DRAWING NO	C-1337464
ANGLES ± -		SCALE NTS		SHEET	1 OF 1
FINISH -		RESTRICTED TO		REV	C

单击下面可查看定价，库存，交付和生命周期等信息

[>>TE Connectivity\(泰科\)](#)