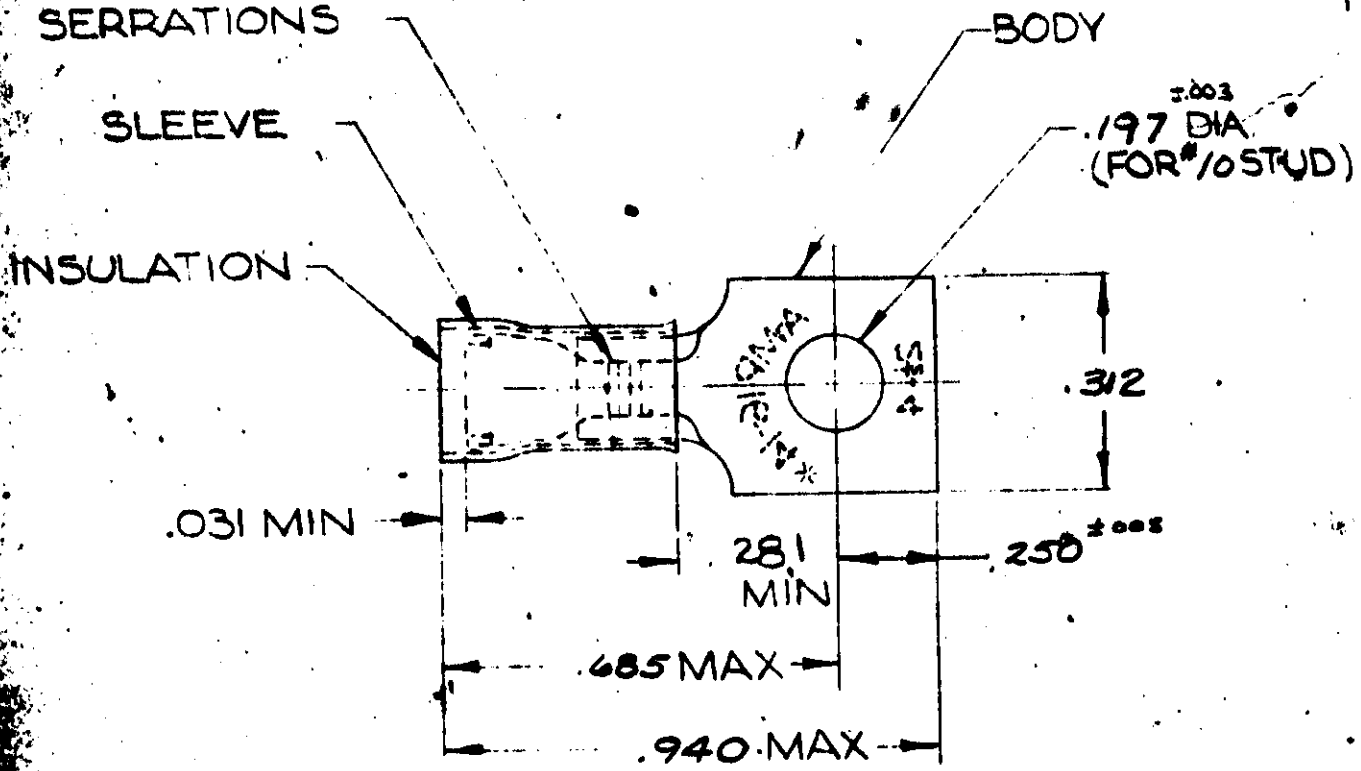


INCORPORATED. ALL
 AMP PRODUCTS
 BY PATENTS AND/OR
 PENDING.

| REVISIONS | | | |
|-----------|-------------------|----------------|----------|
| LTR | DESCRIPTION | DATE | APPROVED |
| C | REDRAWN & REVISED | P-6079 3-12-70 | FCY |
| D | REVISED F-621 | TR 8-23-73 | TR |
| E | REV PER G-4732 | JT 7/26/88 | JT |



TONGUE MATERIAL THK .031
 FOR .115 TO .170 WIRE INS. DIA

NOTE:
 1. STAMPING MAY BE ON TOP OR BOTTOM.

| | | |
|--|---|---|
| WIRE TERMINAL | 324603 | INSULATION: NYLON COLOR: BLUE SLEEVE: COPPER (QQ-C-576) BODY: COPPER (QQ-C-576) TIN PL (MIL-T-10727) |
| DESCRIPTION | PART NO. | MATERIAL & FINISH |
| UNLESS OTHERWISE SPECIFIED DIMENSIONS ARE IN INCHES TOLERANCES ON: DECIMALS ±.008 ANGLES ± 5° | CONTRACT NO. 4 | AMP INCORPORATED HARRISBURG, PENNSYLVANIA |
| MATERIAL | DR. 3-5-70 CHK. P. J. [Signature] 3-12-70 APPD. [Signature] 3-13-70 REL. [Signature] 3-13-70 | NAME: WIRE TERMINAL P.D.G. - RECTANGULAR TONGUE WIRE SIZE: 16-14 |
| TABLE | DSGN APPD OTHER APPD | SIZE: A CODE IDENT NO.: 00779 NUMBER: 324603 |

单击下面可查看定价，库存，交付和生命周期等信息

[>>TE Connectivity\(泰科\)](#)