

4

3

2

1

THIS DRAWING IS UNPUBLISHED.

RELEASED FOR PUBLICATION

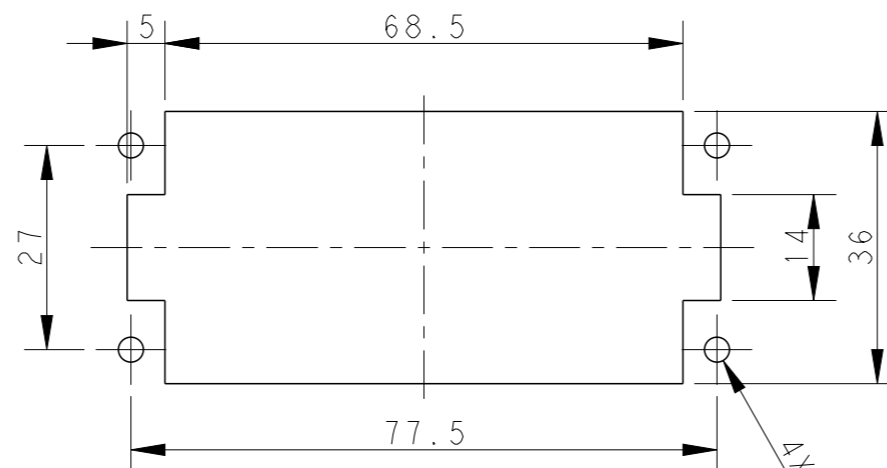
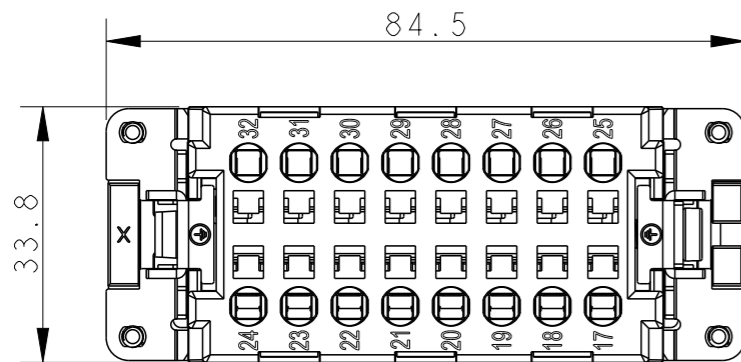
20

© COPYRIGHT 20 BY -

ALL RIGHTS RESERVED.

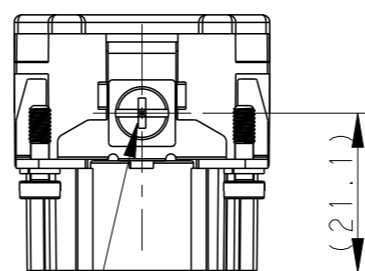
REVISIONS

P	LTR	DESCRIPTION	DATE	DWN	APVD
A		INITIAL RELEASE	20APR2015	CY	CW
B		ECR-15-013759	09OCT2015	DW	CW
C		ECR-21-106515	09JUL2021	SQ	CW

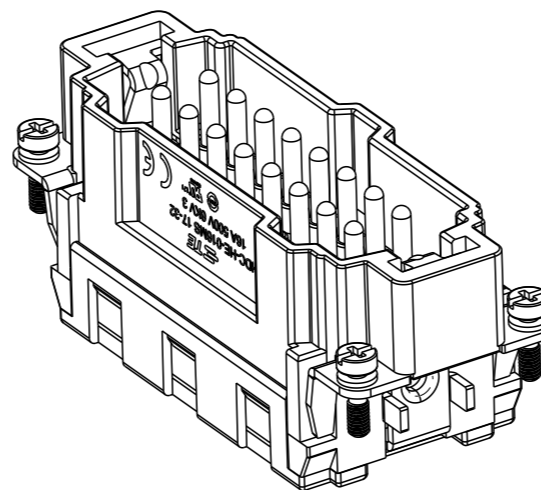
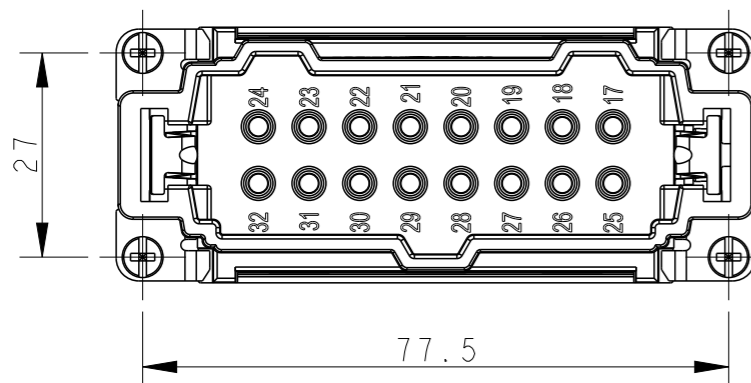


4 X M3 screw, recommended tightening torque 0.5Nm

不使用防护外壳时芯件的安装开孔图
Panel cut out for inserts for use without hoods/housings



M4 screw, recommended tightening torque 1.2Nm




NOTES:

- TECHNICAL CHARACTERISTICS:
 INSULATION MATERIAL: PC
 RATED VOLTAGE: 500V
 RATED CURRENT: 16A
 INSULATION RESISTANCE: $\geq 400M\Omega$
 RATED IMPULSE VOLTAGE: 6KV
 POLLUTION DEGREE: 3
 FLAMMABILITY: UL94V-0
 MATING CYCLES: 500 CYCLES
 OPERATION TEMPERATURE: $-40^{\circ}C \sim +125^{\circ}C$
 WIRE RANGE: $0.5mm^2 \sim 2.5mm^2$ (AWG20-AWG14)
 CONTACT TYPE: SPRING CLAMP

注释:

- 技术参数:
 绝缘材料: PC
 额定电压: 500V
 额定电流: 16A
 绝缘电阻: $\geq 400M\Omega$
 脉冲电压: 6KV
 污染等级: 3
 阻燃等级: UL94V-0
 插拔次数: 500 次
 工作温度: $-40^{\circ}C \sim +125^{\circ}C$
 接线范围: $0.5mm^2 \sim 2.5mm^2$ (AWG20-AWG14)
 接线类型: 弹片压接

HE-016-MS 17-32	T2040323101-000
DESCRIPTION	PART NUMBER

THIS DRAWING IS A CONTROLLED DOCUMENT.		DWN	15APR2015	 TE Connectivity	NAME	HE-016-MS 17-32			
DIMENSIONS:		CHK	15APR2015			PRODUCT SPEC	108-137044		
mm		APVD	15APR2015				APPLICATION SPEC	114-137044	
TOLERANCES UNLESS OTHERWISE SPECIFIED:		Xiang Xu				WEIGHT		-	
0 PLC \pm -		Customer Drawing		SCALE	4:5				
1 PLC \pm -		Customer Drawing		RESTRICTED TO	-				
2 PLC \pm -		Customer Drawing		SIZE	A3				
3 PLC \pm -		Customer Drawing		CAGE CODE	00779				
4 PLC \pm -		Customer Drawing		DRAWING NO	T2040323101000				
ANGLES \pm -		Customer Drawing		SHEET	1 OF 1				
FINISH		Customer Drawing		REV	C				
MATERIAL		Customer Drawing							

单击下面可查看定价，库存，交付和生命周期等信息

[>>TE Connectivity\(泰科\)](#)