

4

3

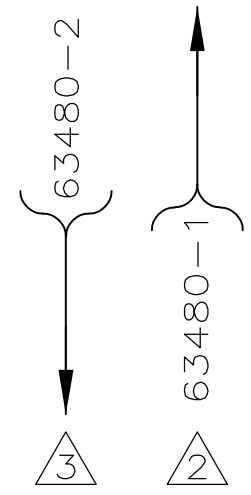
2

1

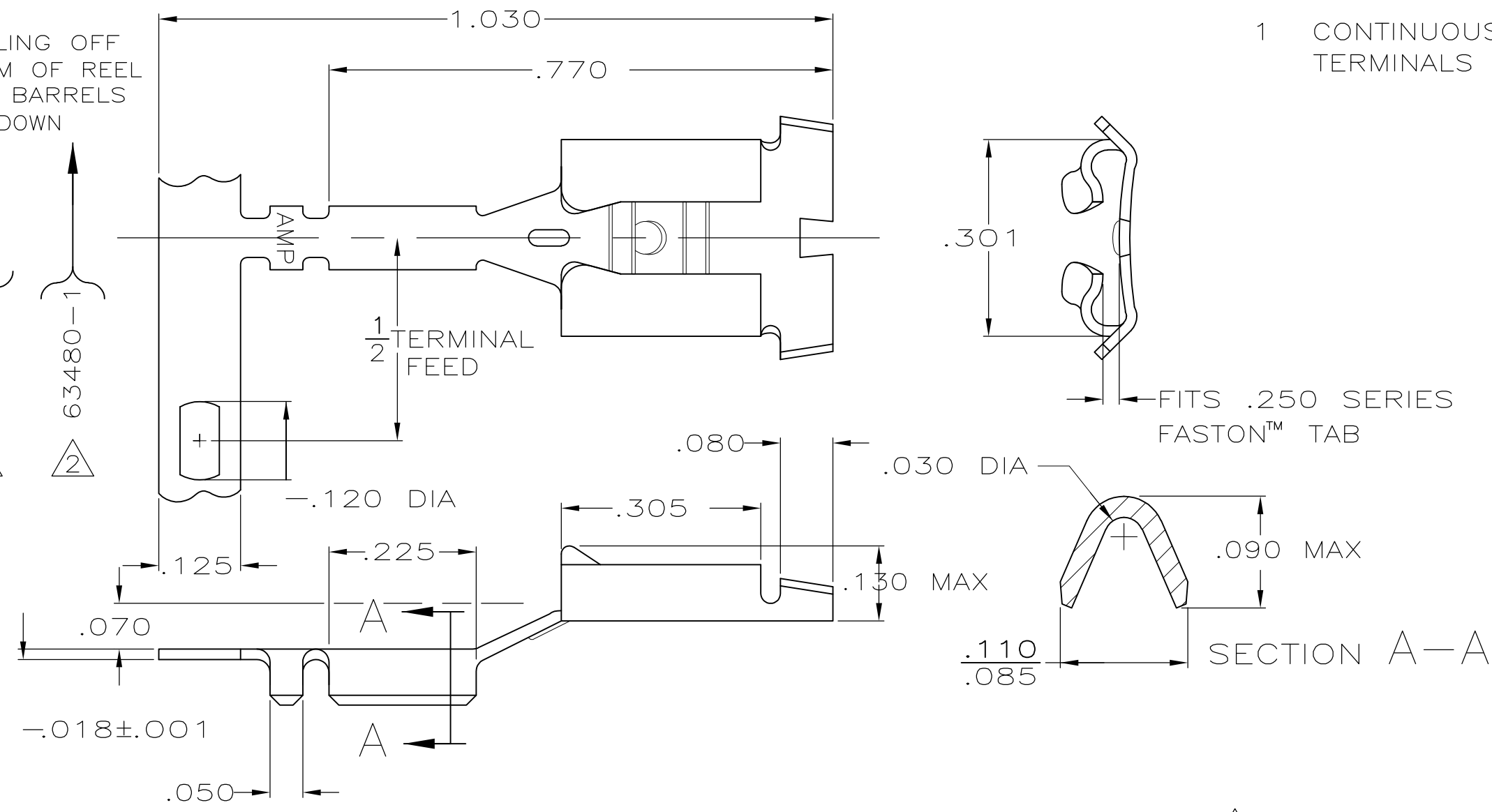
THIS DRAWING IS UNPUBLISHED. RELEASED FOR PUBLICATION -,- .
 © COPYRIGHT - By - ALL RIGHTS RESERVED.

LOC	DIST	REVISIONS					
		P	LTR	DESCRIPTION	DATE	DWN	APVD
AF	50		E	REVISE PER ECR-13-013738	28AUG14	GRZ	JL

REELING OFF
 BOTTOM OF REEL
 WIRE BARRELS
 DOWN

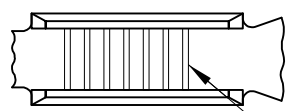


1 CONTINUOUS STRIP ON REELS WITH
 TERMINALS LOCATED ON .620 CENTERS.



FITS .250 SERIES
 FASTON™ TAB

SECTION A-A



7 SERRATIONS

3	.032	#27-#22 AWG	63480-2
2	MATING TAB THK ±.001	MAGNET WIRE RANGE	63480-1

THIS DRAWING IS A CONTROLLED DOCUMENT.		DWN - M.S. FEHER ⁺¹ /24/87	STE TE Connectivity			
DIMENSIONS: INCHES		CHK - G YETTER - 2/3/87				
TOLERANCES UNLESS OTHERWISE SPECIFIED:		APVD - D SCHEWNK ¹² 15/87	STATOR RECEPTACLE AMPLIVAR™			
0 PLC ± -		PRODUCT SPEC C G ATHERTON 2/3/87				
1 PLC ± -		APPLICATION SPEC -	SIZE	CAGE CODE	DRAWING NO	RESTRICTED TO
2 PLC ± -		WEIGHT -	A3	00779	C-63480	-
3 PLC ± .010		CUSTOMER DRAWING				
4 PLC ± -		SCALE	SHEET	REV		
ANGLES ± -		5:1	1 OF 1	E		
MATERIAL	FINISH					
BRASS	PRE-TIN					

单击下面可查看定价，库存，交付和生命周期等信息

[>>TE Connectivity\(泰科\)](#)