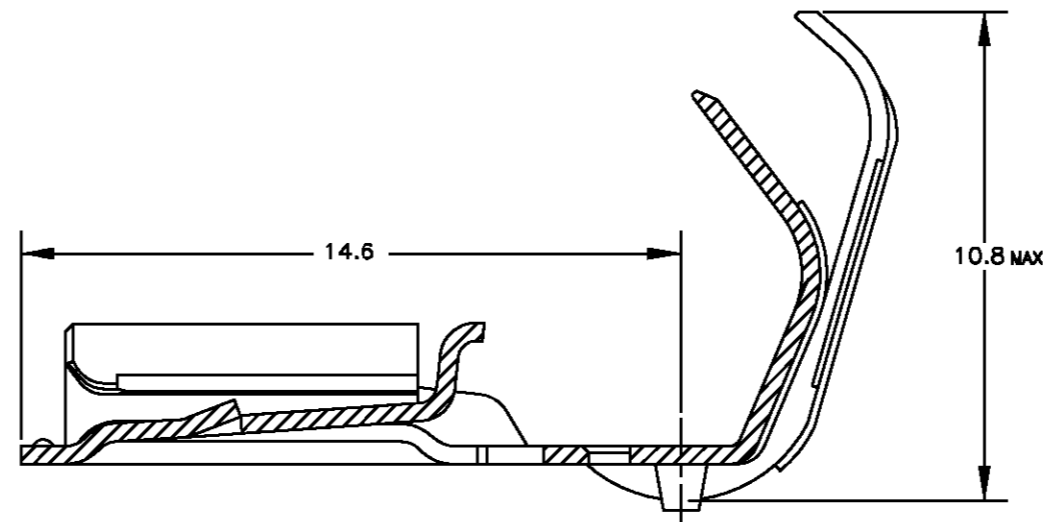
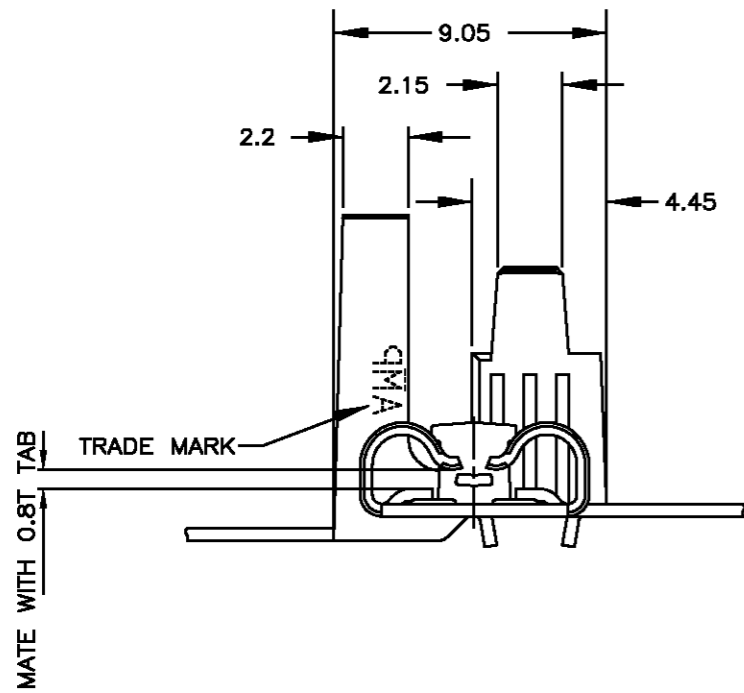
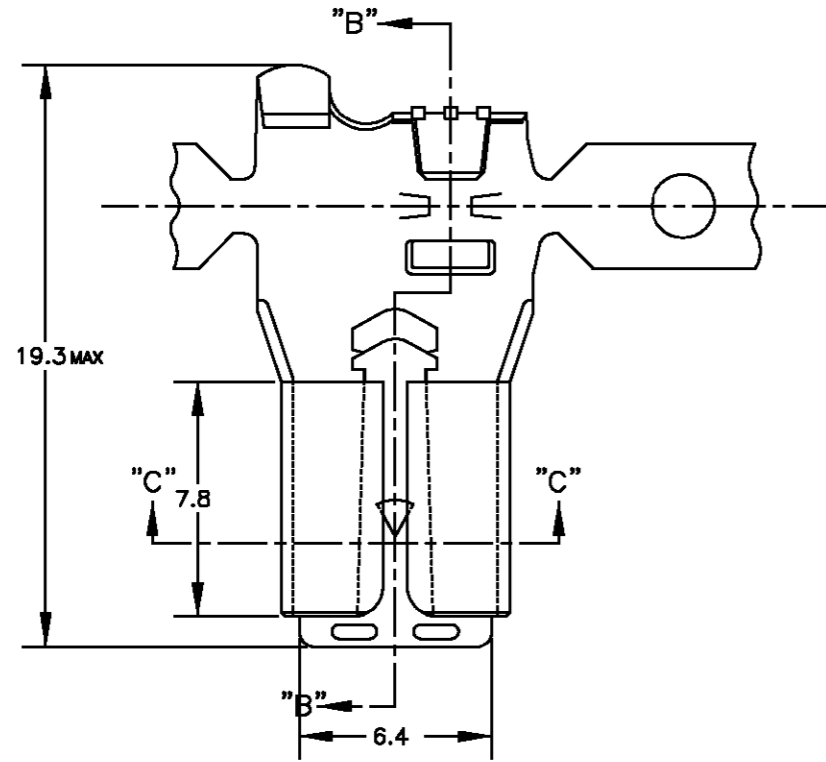


LOC	DIST	REVISIONS					
DS		P	LTR	DESCRIPTION	DATE	DWN	APVD
			0	RELEASED (FC00-0200-04)	AUG.25.'04	BH	CS



SECT "B"- "B"
SCALE 6-1

PRE-TIN BRASS 0.4t	1743221-1
MATERIAL	PART NUMBER
WIRE RANGE	INSULATION DIA
AWG#18~#12	2.8~4.1

<small>THIS DRAWING IS A CONTROLLED DOCUMENT FOR TYCO ELECTRONICS CORPORATION. IT IS SUBJECT TO CHANGE AND THE CONTROLLING ENGINEERING ORGANIZATION SHOULD BE CONTACTED FOR THE LATEST REVISION.</small>		DWN: BH CHD CHK: BW KANG		tyco AMP KOREA. Electronics kyungsan, korea	
DIMENSIONS: MM TOLERANCES UNLESS OTHERWISE SPECIFIED: 0 <XX<10 ± 0.2 10 <XX<30 ± 0.25 30 <XX ± 0.3 ANGLES ± 3°		APVD: CS LEE PRODUCT SPEC APPLICATION SPEC		NAME 250 SERIES FLAG POSITIVE LOCK EX RECEPTACLE	
3rd ANGLE PROJECTION		MATERIAL: SEE TABLE FINISH:		WEIGHT:	
		SIZE: A3 CAGE CODE: 00779C=		DRAWING NO: 1743221 RESTRICTED TO:	
		SCALE: 4/1		SHEET: 1 OF 1 REV: 0	

单击下面可查看定价，库存，交付和生命周期等信息

[>>TE Connectivity\(泰科\)](#)