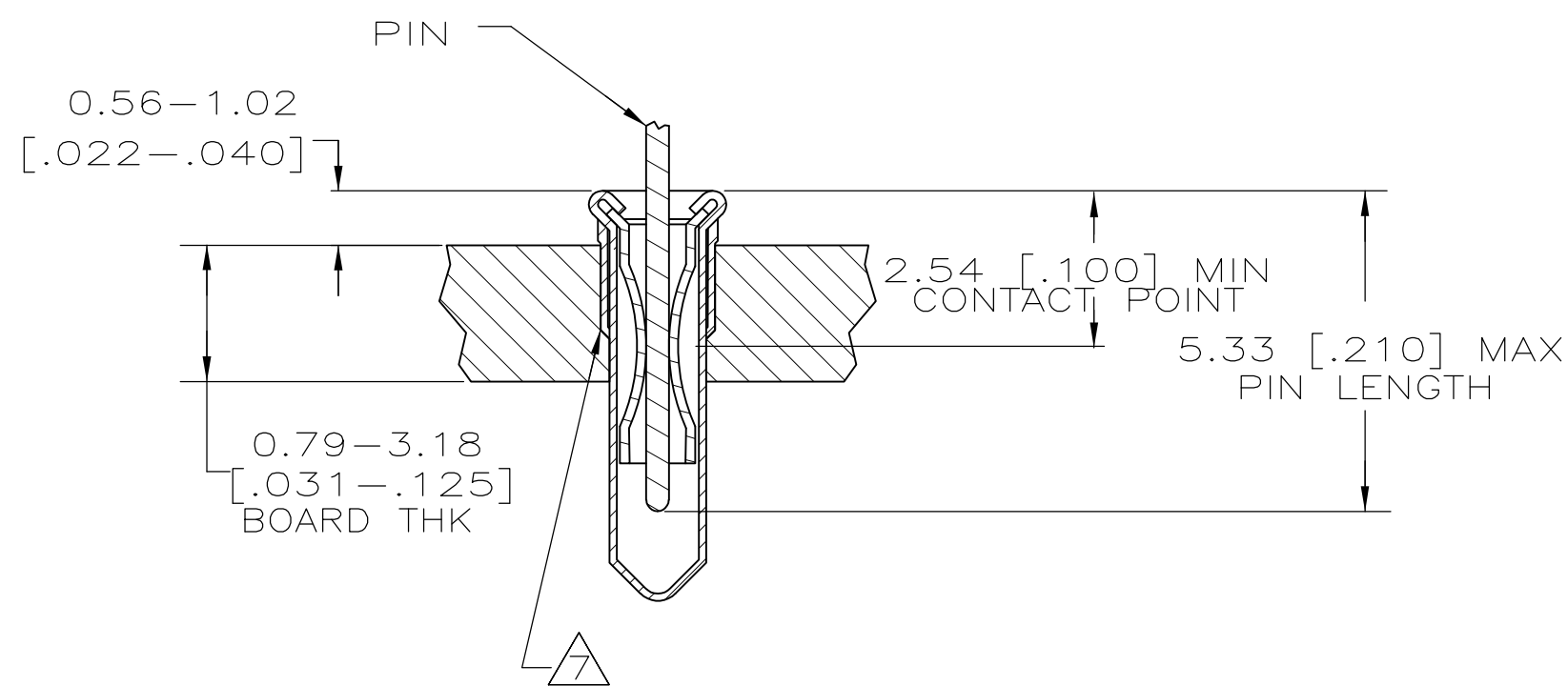
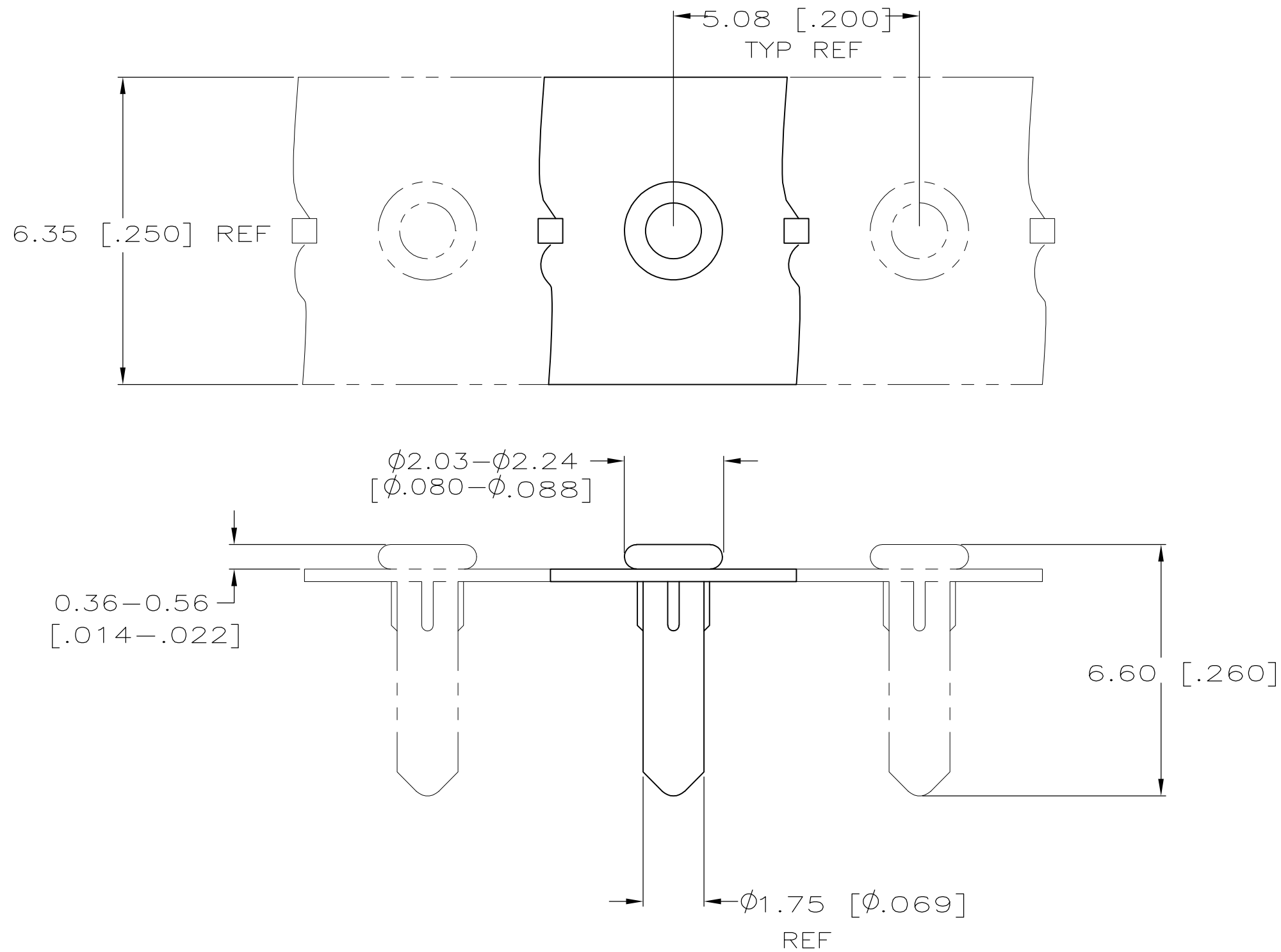


THIS DRAWING IS UNPUBLISHED. RELEASED FOR PUBLICATION
 © COPYRIGHT - By - ALL RIGHTS RESERVED.

LOC		DIST		REVISIONS			
P	LTR	DESCRIPTION		DATE	DWN	APVD	
AG	53	B1	REV PER ECO-14-003120	07MAR2014	AP	AS	



- 1 MATERIAL:
EYELET- COPPER PER ASTM B 152.
SPRING- BERYLLIUM-COPPER PER ASTM B 194.
- 2 TIN PLATE PER ASTM B 545, 0.00254 [.000100] MINIMUM THICKNESS.
- 3 NICKEL UNDERPLATE ALL OVER, MATING SURFACE PLATED TO MEET PERFORMANCE REQUIREMENTS OF TYCO PRODUCT SPECIFICATION 108-14008.
- 4 PACKAGE 50,000 PER REEL.
- 5 PACKAGE 10,000 PER REEL.
- 6 TO ENSURE 1/2 OZ MIN RETENTION, DO NOT NOT EXCEED 0.50 [.002] DIFFERENCE IN PIN DIA WHEN CHANGING TO A SMALLER DIA PIN.
- 7 SHOULDER ON SOCKET PROVIDES RETENTION IN THE P.C. BOARD. THE RECOMMENDED HOLE DIAMETER IS 1.75 [0.069] MINIMUM, + 0.08 [.003] MAXIMUM PRIOR TO SOLDERING.

5	0.94-1.04 [0.037-0.041]	TIN 2	TIN 2	1-5645502-2
5	0.94-1.04 [0.037-0.041]	GOLD 3	TIN 2	1-5645502-1
4	0.94-1.04 [0.037-0.041]	GOLD 3	TIN 2	5645502-1
PACKAGING	PIN DIA 6	SPRING EYELET FINISH		PART NO

THIS DRAWING IS A CONTROLLED DOCUMENT.		DWN	J. POLIGNONE	26JAN06	TE Connectivity	
DIMENSIONS: mm [INCHES]		CHK	J. HAVENER	26JAN06	MINIATURE SPRING SOCKET ASSY SERIES 4	
TOLERANCES UNLESS OTHERWISE SPECIFIED:		APVD	J. HAVENER	26JAN06	-	
0 PLC	± -	PRODUCT SPEC	108-14008	SIZE	CAGE CODE	DRAWING NO
1 PLC	± -	APPLICATION SPEC	114-26004	A2	00779	C=5645502
2 PLC	± -			SCALE	10:1	SHEET 1 of 1
3 PLC	± 0.20[.008]			REV	B1	
4 PLC	± -					
ANGLES	± -					
FINISH	SEE TABLE					
MATERIAL	1	CUSTOMER DRAWING				

单击下面可查看定价，库存，交付和生命周期等信息

[>>TE Connectivity\(泰科\)](#)