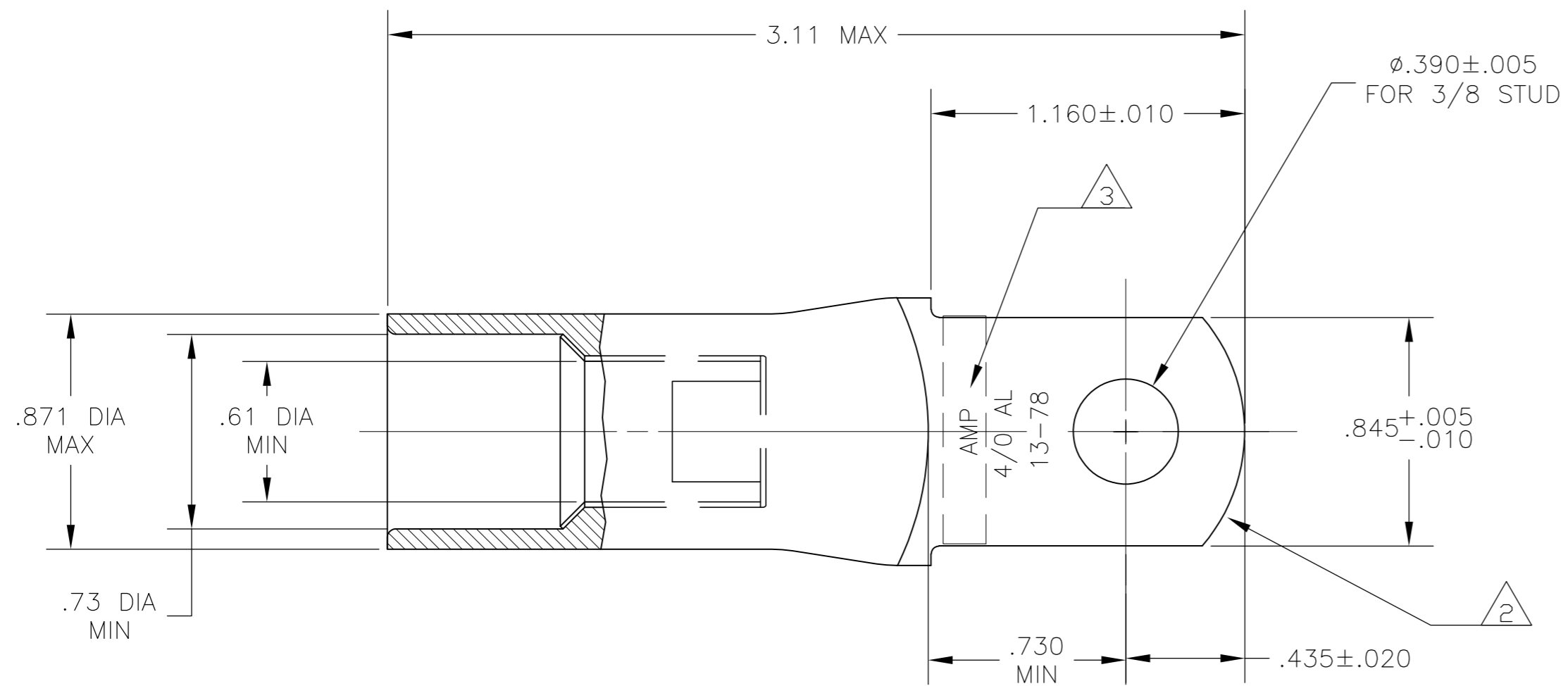
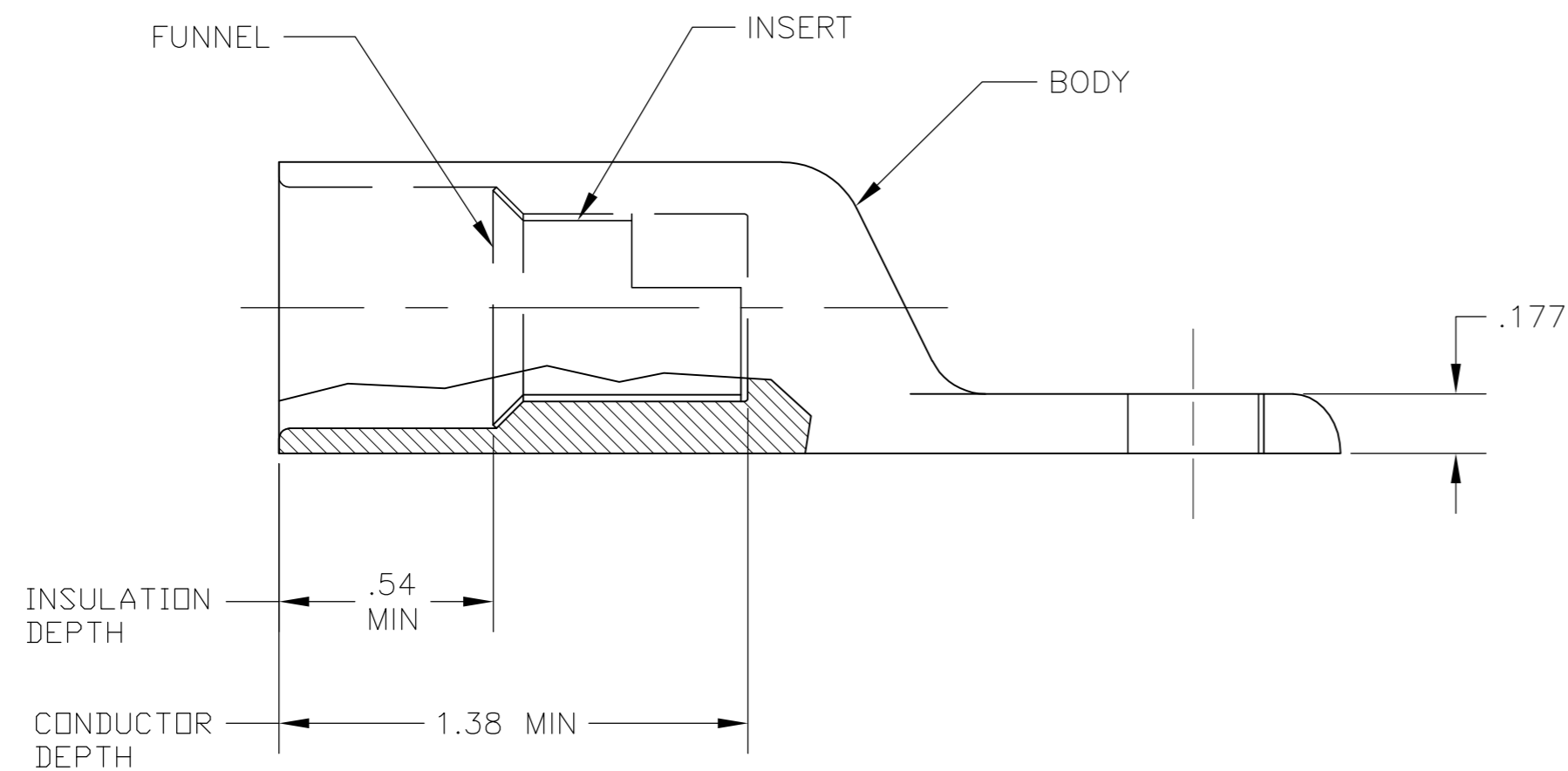


THIS DRAWING IS UNPUBLISHED. RELEASED FOR PUBLICATION
 © COPYRIGHT - By - ALL RIGHTS RESERVED.

| LOC | | DIST | | REVISIONS | | | |
|-----|-----|-----------------------|--|-----------|-----|------|--|
| P | LTR | DESCRIPTION | | DATE | DWN | APVD | |
| | D | REV PER ECO 15-005109 | | 23APR15 | KG | PD | |



- 1 WIRE INSULATION: .590-.683 DIA
- 2 THE TONGUE RADIUS FEATURE IS NOT A TOOLING CONTROLLED DIMENSION AND MAY NOT BE A TRUE RADIUS.
- 3 "AMP 4/0 AL 13-78" STAMPED. SIZE AND LOCATION APPROX AS SHOWN



| | |
|--|-----------|
| BODY: COPPER ASTM-B187 ANNEALED TIN PL PER ASTM B545, .000150 MIN THK INSERT & FUNNEL: BRASS ASTM B36 NICKEL PL SAE AMS QQ-N-290A, DATED JULY 2000, .000100 MIN THK | 1958035-1 |
| MATERIAL & FINISH | PART NO. |

| | | | | | | | | |
|--|--|------------------|-----------|---------|------------------|-----------------|---|---------------|
| THIS DRAWING IS A CONTROLLED DOCUMENT. | | DWN | J.RUTH | 18OCT06 | | TE Connectivity | | |
| DIMENSIONS: INCHES | | CHK | MJ SPICER | 18OCT06 | | NAME | WIRE TERMINAL, RING, NARROW TONGUE, SEALED COPALUM, WIRE SIZE: 4/0 AL | |
| TOLERANCES UNLESS OTHERWISE SPECIFIED: | | APVD | MJ SPICER | 18OCT06 | | | PRODUCT SPEC | SIZE |
| 0 PLC ± - | | APPLICATION SPEC | | | | DRAWING NO | | RESTRICTED TO |
| 1 PLC ± - | | | | | SCALE | SHEET | REV | |
| 2 PLC ± .01 | | | | | A2 | 00779 | C=1958035 | |
| 3 PLC ± .008 | | | | | CUSTOMER DRAWING | | 2:1 | |
| 4 PLC ± - | | | | | | 1 of 1 | D | |
| ANGLES ± - | | | | | | | | |
| FINISH | | | | | | | | |
| SEE TABLE | | | | | | | | |

单击下面可查看定价，库存，交付和生命周期等信息

[>>TE Connectivity\(泰科\)](#)