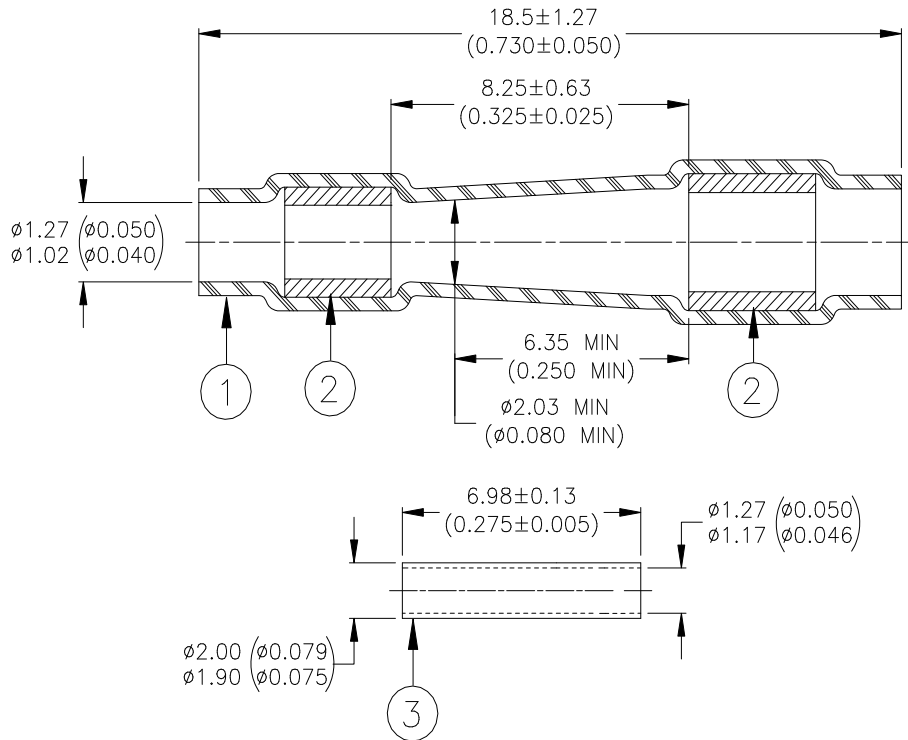


CUSTOMER DRAWING




MATERIALS

1. **INSULATION SLEEVE:** Heat-shrinkable, transparent blue, radiation cross-linked modified polyvinylidene fluoride.
2. **MELTABLE INSERTS:** Low-outgassing thermoplastic, color-natural.
3. **SEAMLESS STUB SPLICE:**
 - Base Metal: Copper Alloy 101 or 102 per ASTM B-75.
 - Plating: None.
 - CMA Range: 300 to 1510 circular mils.

APPLICATION

1. This system is designed to provide an environmentally resistant splice in wires rated for at least 125°C. Splices may be either two wire stub splices or 1 to 1 or 2 to 1 parallel splices. If two wires exit from one end, they must have a combined outer diameter of less than 2.03 (0.080).
2. Parts when installed as detailed on Tyco Electronics Customer Drawing shall meet performance requirements of SAE-AS81824.
3. Acceptance testing shall be in accordance with SAE-AS81824.

		300 Constitution Dr Menlo Park, CA 94025, U.S.A.	TITLE: STUB SPLICE SEALING SYSTEM, UN-PLATED CRIMP		
Unless otherwise specified dimensions are in millimeters. [Inches dimensions are shown in brackets]		Raychem Devices	DOCUMENT NO.: D-436-0135		
TOLERANCES: 0.00 N/A 0.0 N/A 0 N/A	ANGLES: N/A ROUGHNESS IN MICRON	Tyco Electronics reserves the right to amend this drawing at any time. Users should evaluate the suitability of the product for their application.		REV: A	DATE: October 14, 2010
PREPARED BY: UNGUYEN	CAGE CODE: 06090	ECO NUMBER: ECO-10-021022	SCALE: NTS	SIZE: A	SHEET: 1 of 1

© 2010 Tyco Electronics Corporation. All rights reserved.

If this document is printed it becomes uncontrolled. Check for the latest revision.

单击下面可查看定价，库存，交付和生命周期等信息

[>>TE Connectivity\(泰科\)](#)