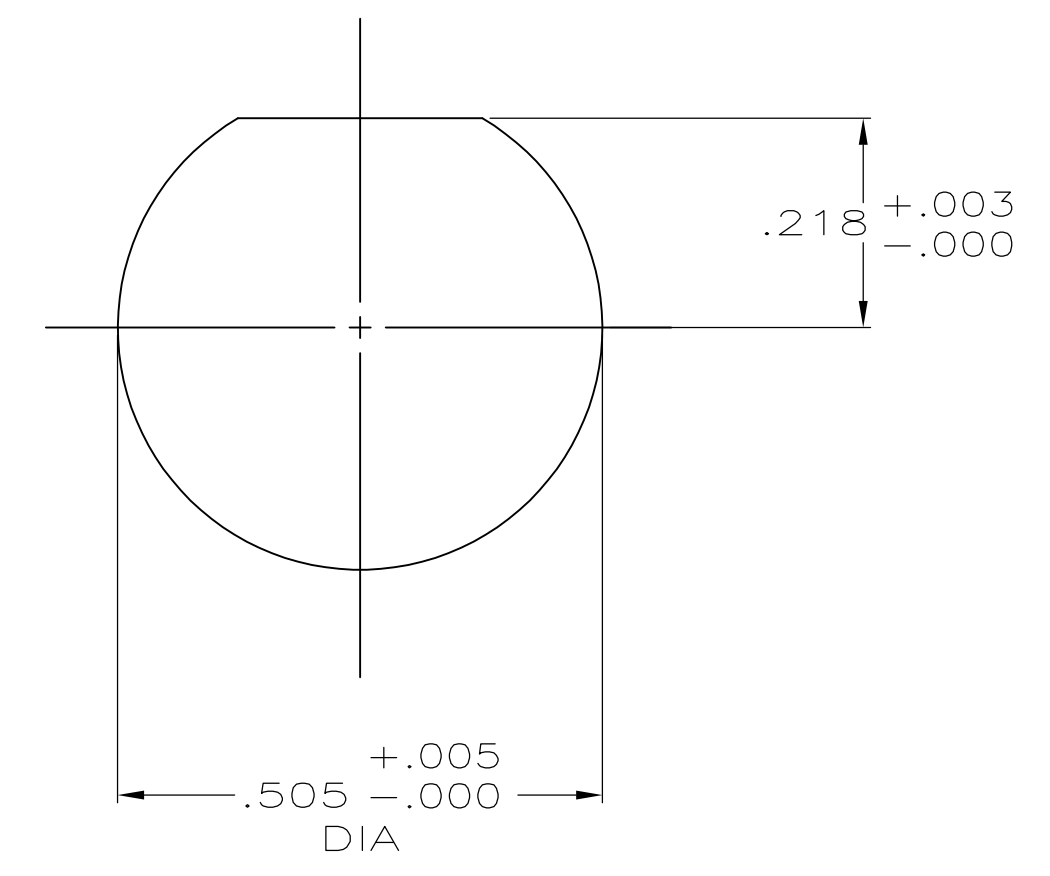
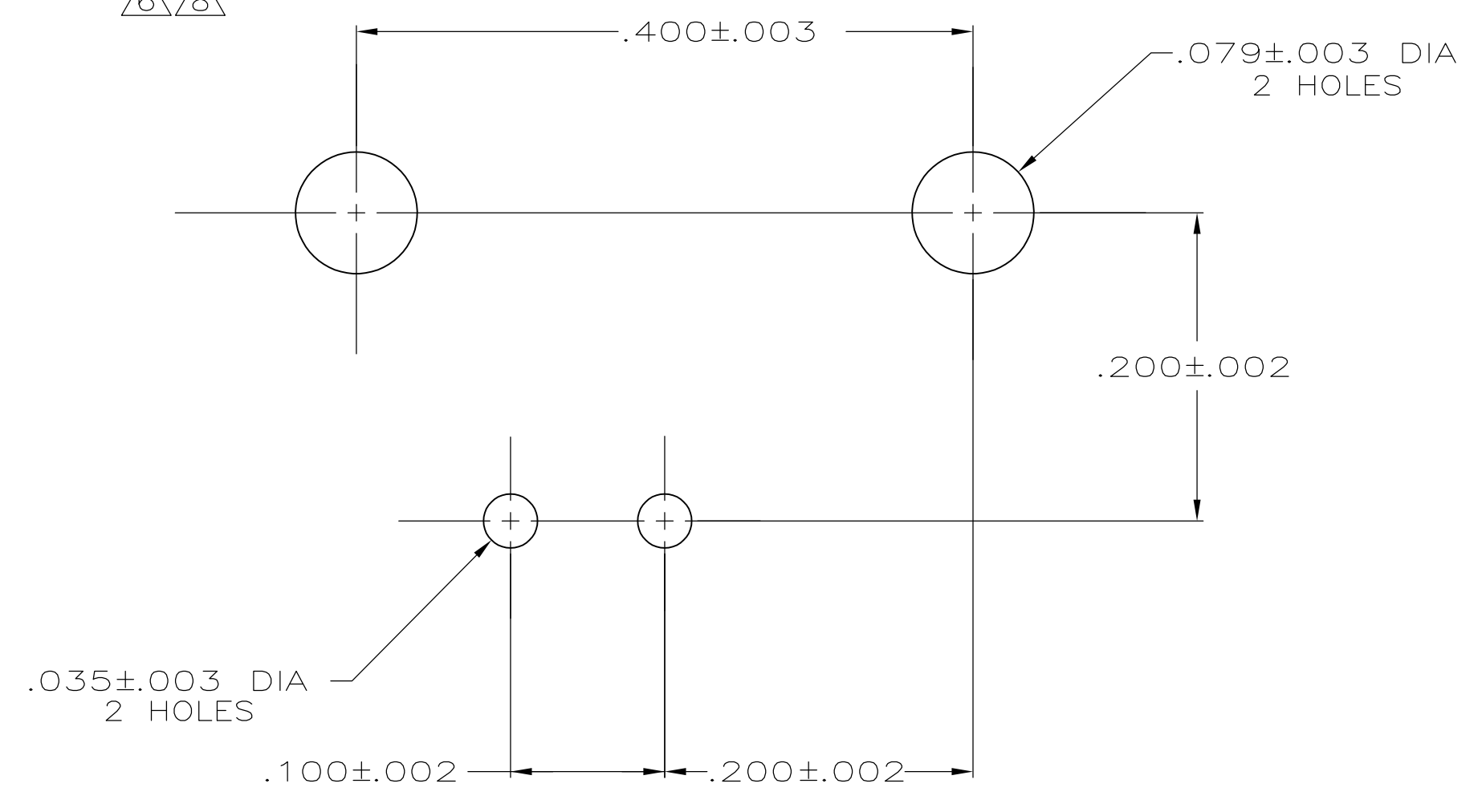
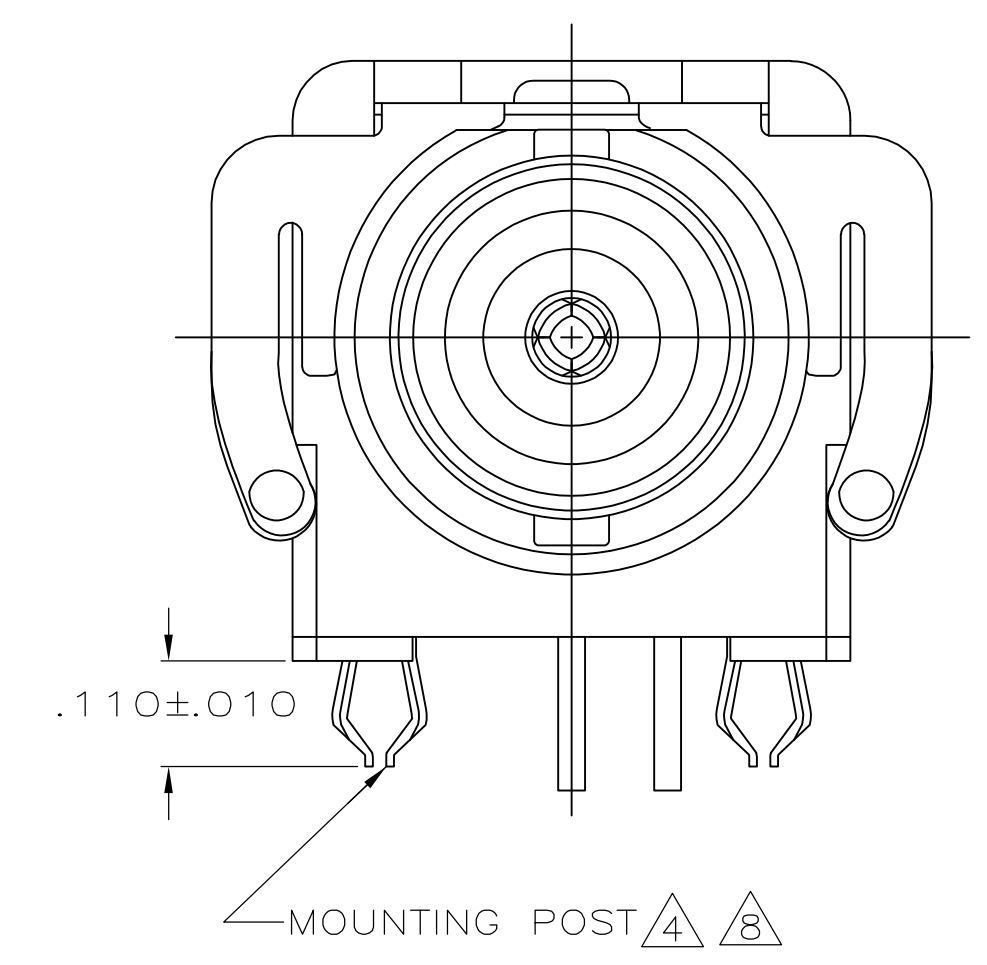
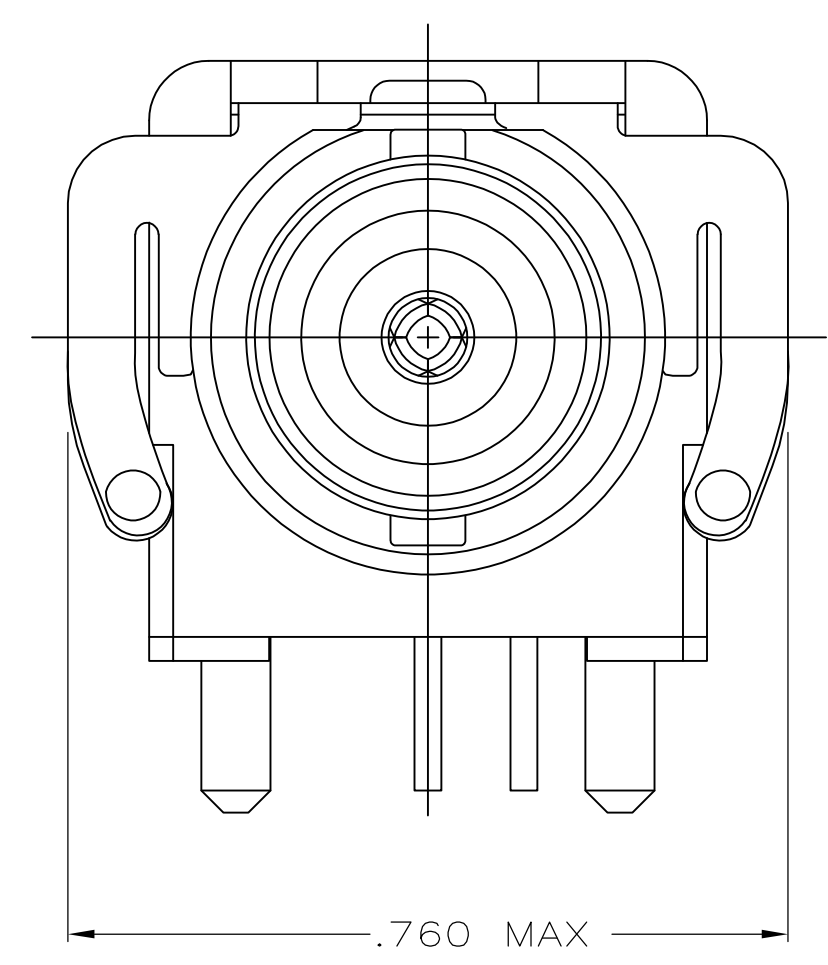
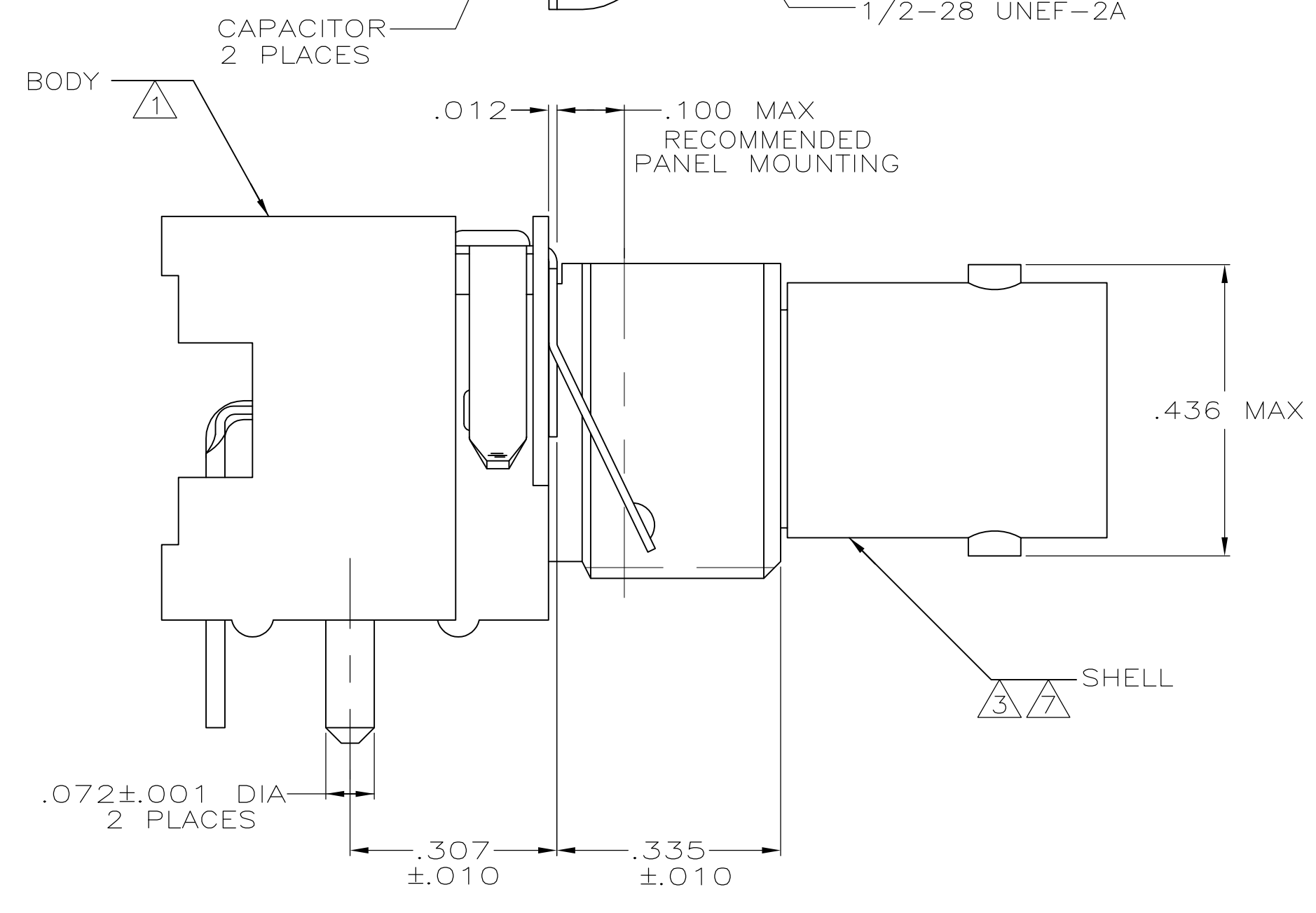
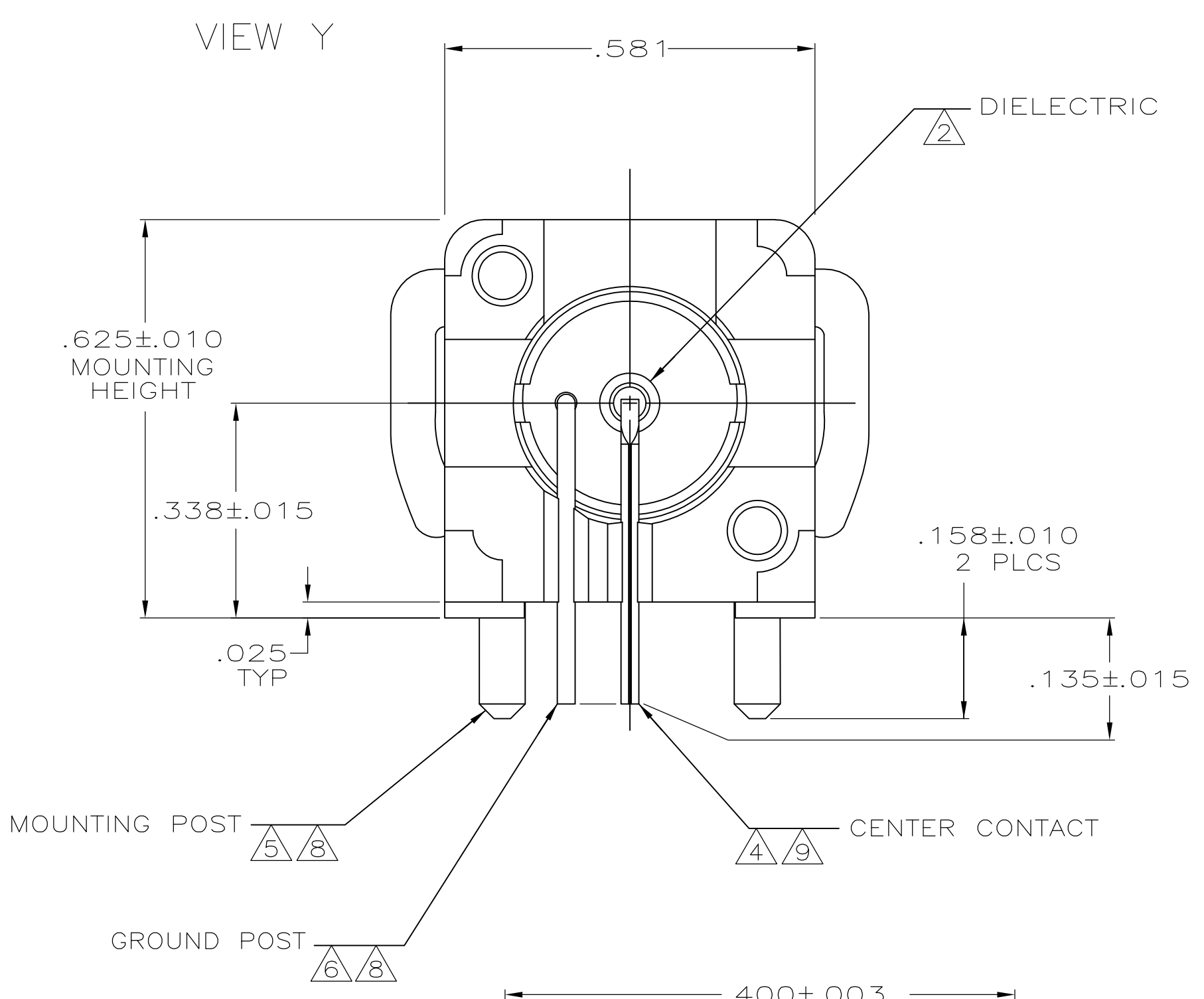
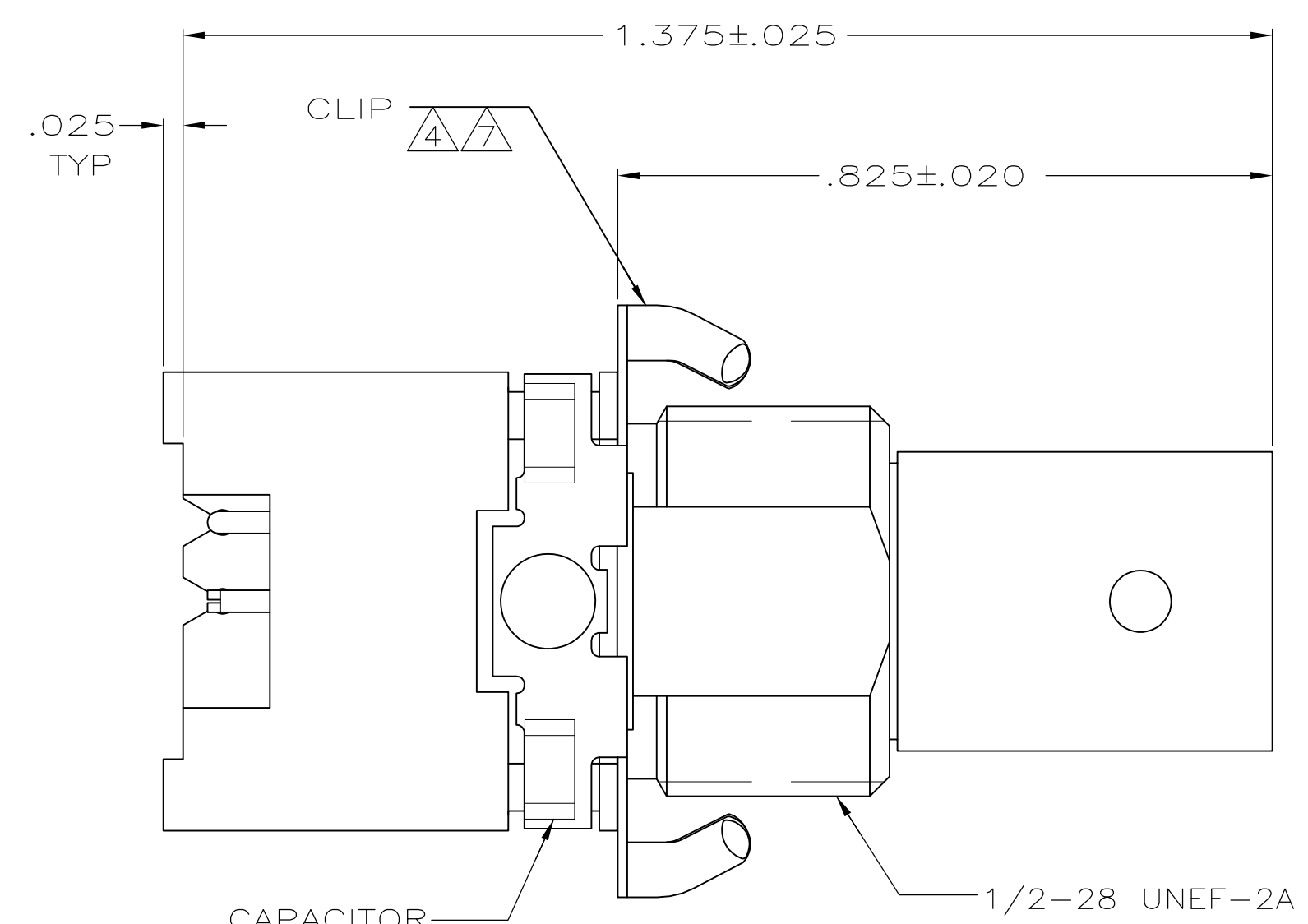
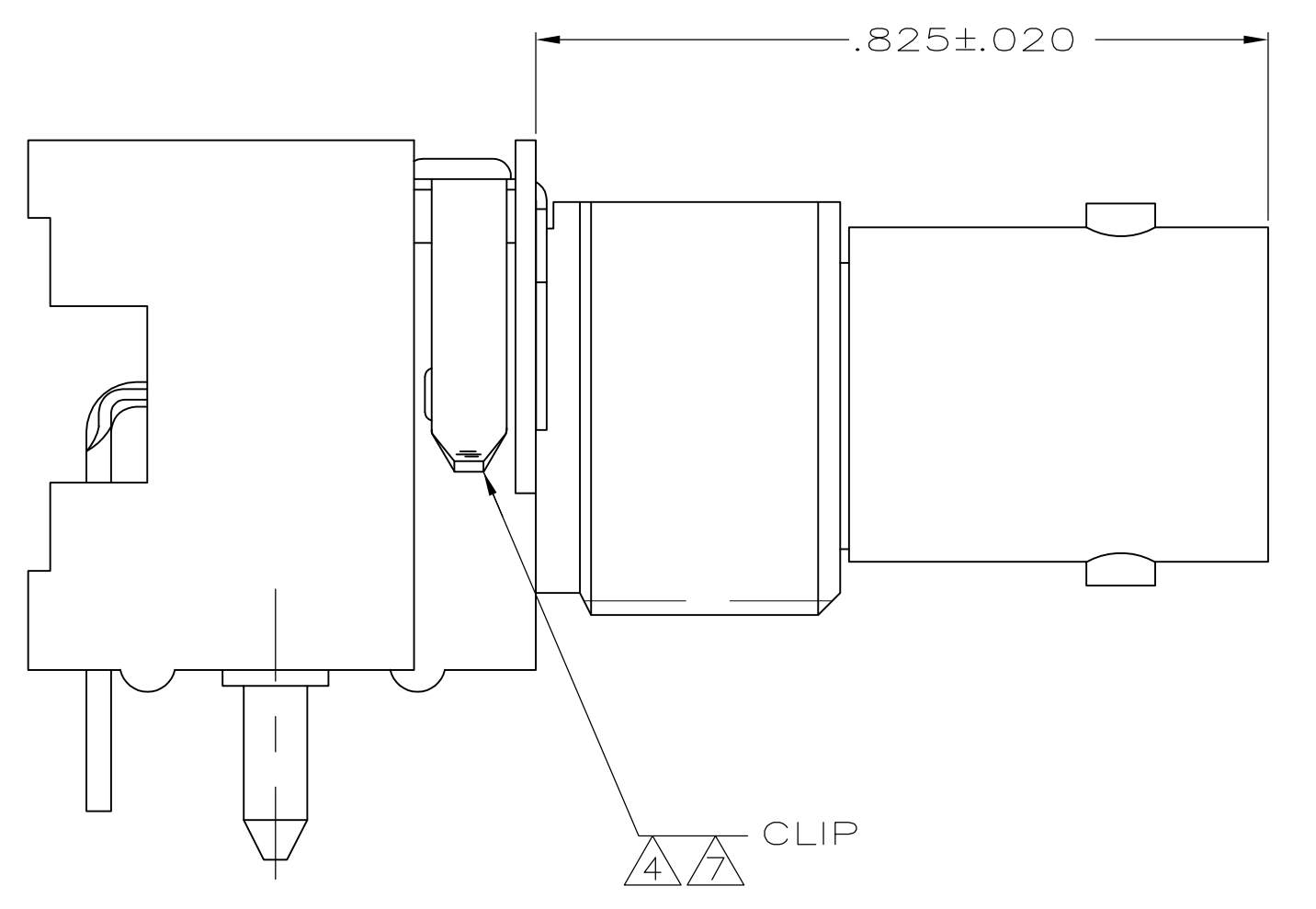


- ① POLYESTER, PBT, BLACK, PER MIL-M-24519
- ② POLYMETHYLPENTENE, GENERAL PURPOSE
- ③ ZINC PER QQ-Z-363
- ④ PHOSPHOR BRONZE PER QQ-B-750
- ⑤ BRASS PER ASTM-B-16
- ⑥ BRASS PER ASTM-B-453
- ⑦ NICKEL PL PER QQ-N-290
- ⑧ TIN PL PER ASTM-B-545
- ⑨ SELECTIVELY GOLD PLATED ON INTERFACE AREA PER ASTM-B-488, .000030 THK, TIN PLATED ON SOLDER TAIL PER ASTM-B-545, ALL OVER NICKEL PL PER QQ-N-290



VIEW Z	VIEW X	9400 pf, 1500 VDC	5413524-5
VIEW X OR Y	VIEW X	9400 pf, 1500 VDC	5413524-2
MOUNTING POST	CLIP	CAPACITANCE & VOLTAGE	PART NUMBER

P.C.B. CONFIGURATION  
SCALE=10:1

RECOMMENDED  
PANEL CUTOUT

THIS DRAWING IS A CONTROLLED DOCUMENT.		DIN	L. VARELA - 22APR2005	Tyco Electronics Corporation Harrisburg, PA 17105-3608
DIMENSIONS: INCHES		CHK	J. HAVENER - 22APR2005	
TOLERANCES UNLESS OTHERWISE SPECIFIED:		APVD	J. LIPPERT - 22APR2005	NAME
0 PL	± -	PRODUCT SPEC		JACK, DECOUPLER, RIGHT ANGLE, PCB, SERIES BNC
1 PL	± -	APPLICATION SPEC		108-1269
2 PL	± -	SIZE		A1
3 PL	± .008	CAGE CODE		00779
4 PL	± -	DRAWING NO		5413524
ANGLES	± -	WEIGHT		
MATERIAL	THRU	CUSTOMER DRAWING		SCALE 5:1 SHEET 1 OF 1 REV B

单击下面可查看定价，库存，交付和生命周期等信息

[>>TE Connectivity\(泰科\)](#)