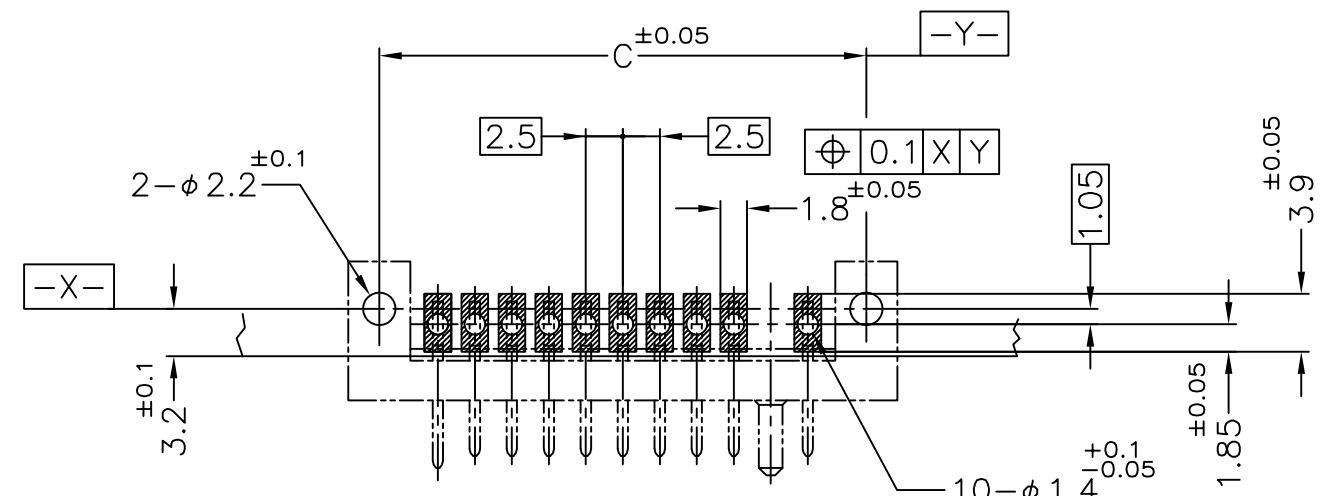
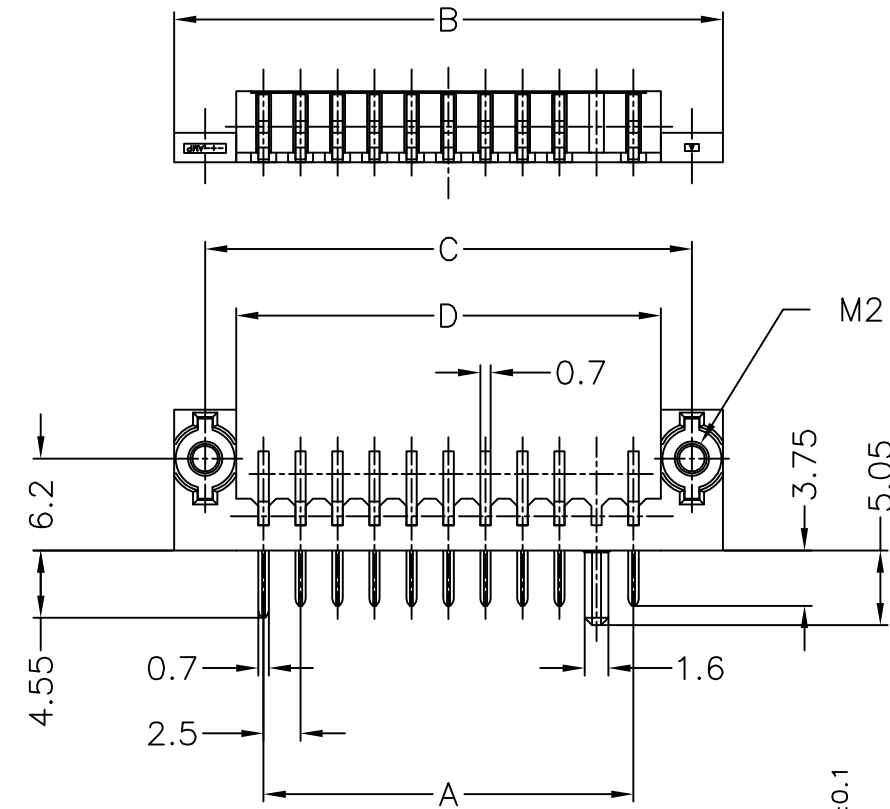


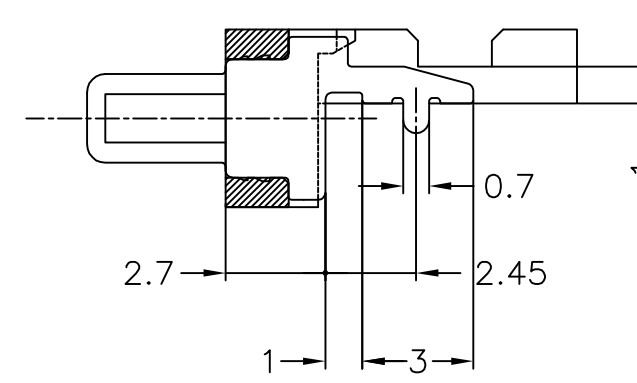
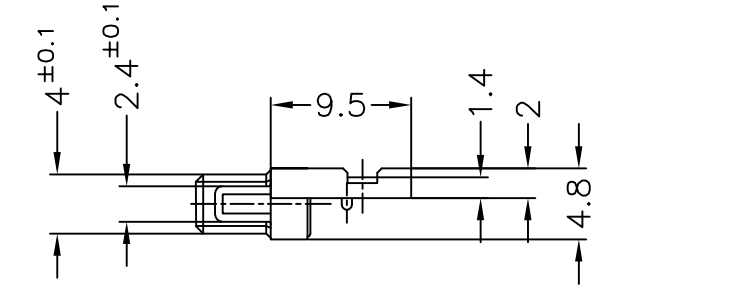
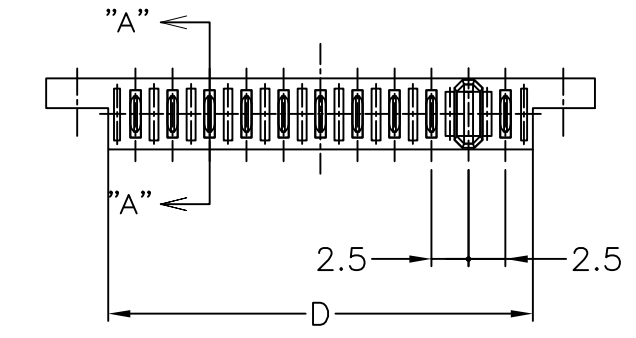
THIS DRAWING IS UNPUBLISHED. RELEASED FOR PUBLICATION  
 © COPYRIGHT BY TYCO ELECTRONICS CORPORATION. ALL RIGHTS RESERVED.

LOC		DIST		REVISIONS			DATE	DWN	APVD
ES		-		P	LTR	DESCRIPTION			
				B1		REVISED PER ECR-10-011717	30MAY2010	S.W	S.Y

-7 : AS SHOWN



RECOMMENDED P.C. BOARD LAYOUT  
 P.C. BOARD THK 0.8~1.2  
 (VIEW FROM CONNECTOR MOUNTING SIDE)



SECT. "A"-"A"  
 (SCALE:5-1)

NOTES

- ① MATERIAL HOUSING : THERMOPLASTIC RESIN, UL94V-0  
 COLOR ; BLACK  
 CONTACT : COPPER ALLOY  
 NUT-PLATE : STAINLESS STEEL
- ② FINISH CONTACT : Ni ALL OVER UNDER PL  
 GOLD PL. AT CONTACT AREA  
 TIN-LEAD PL. AT LEAD AREA

28.7	32.9	37.1	25	10	1123738-7
26.2	30.4	34.6	22.5	9	1123738-6
23.7	27.9	32.1	20	8	1123738-5
21.2	25.4	29.6	17.5	7	1123738-4
18.7	22.9	27.1	15	6	1123738-3
16.2	20.4	24.6	12.5	5	1123738-2
13.7	17.9	22.1	10	4	1123738-1
D	C	B	A	N (POS)	P/N

THIS DRAWING IS A CONTROLLED DOCUMENT.

DWN	T.KUSUHARA	19FEB98	Tyco Electronics Shanghai, P.R.China, 200233
CHK	I.ENOMOTO	20FEB98	
APVD	I.ENOMOTO	20FEB98	
PRODUCT SPEC <b>108-5775</b>			NAME <b>PLUG ASSEMBLY</b> <b>2.5mm PITCH BATTERY CONNECTOR</b> <b>(10POS. OFF SET TYPE)</b>
APPLICATION SPEC			
SIZE	A3	CAGE CODE	00779
DRAWING NO	C=1123738		RESTRICTED TO
WEIGHT	CUSTOMER DRAWING		SCALE 2:1 SHEET 1 OF 1 REV B1

单击下面可查看定价，库存，交付和生命周期等信息

[>>TE Connectivity\(泰科\)](#)