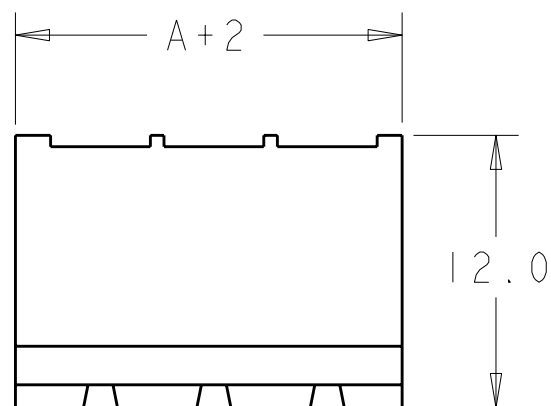
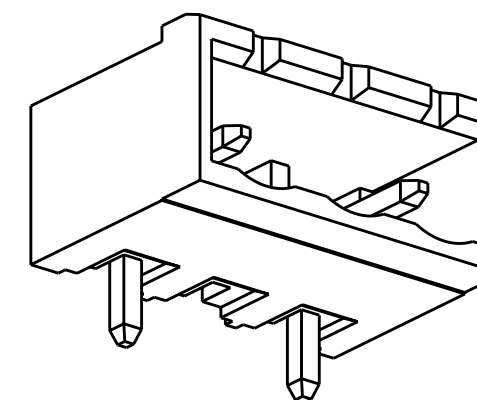


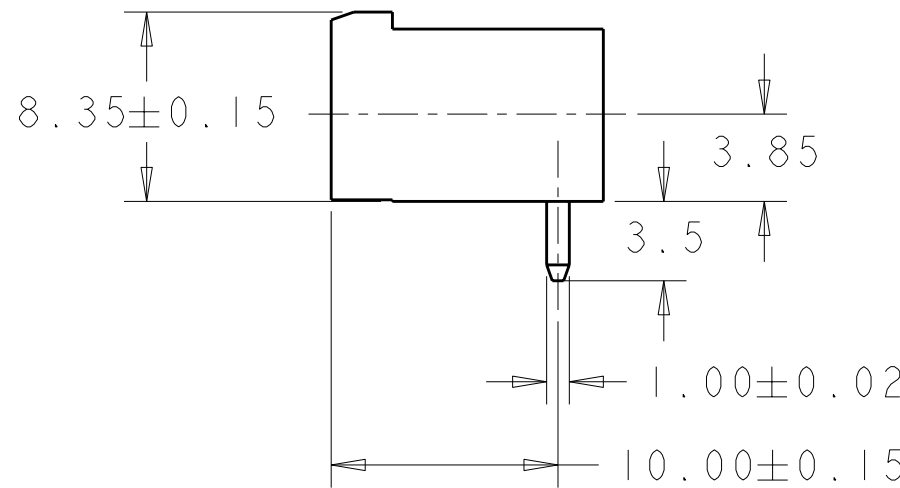
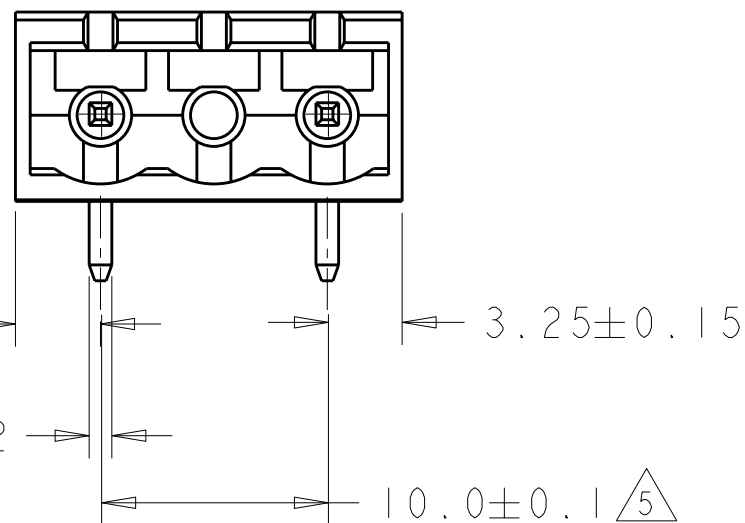
| LOC | DIST | REVISIONS | | | |
|-----|------|-------------|---------------------------|-----------|-------|
| P | LTR | DESCRIPTION | DATE | DWN | APVD |
| FT | 0 | C1 | REVISED PER ECO-12-007964 | 02MAY2012 | KH MS |



- 1 MATERIALS AND FINISH
HOUSING: PA 6-6, UL 94-V0, COLOR GREEN.
TERMINAL: COPPER ALLOY, TIN PLATED.
- 2 SUITABLE FOR 1,6-2,4mm PC BOARD THICKNESS.
- 3 RECOGNIZED UNDER THE COMPONENT PROGRAM OF
UNDERWRITERS LABORATORIES INC. FILE N° E60677.
- 4 IMQ CERTIFICATE WITH SURVEILLANCE IN CONFORMITY
WITH IEC 998-1/998-2-1.
- 5 NOT CUMULATIVE TOLERANCE.

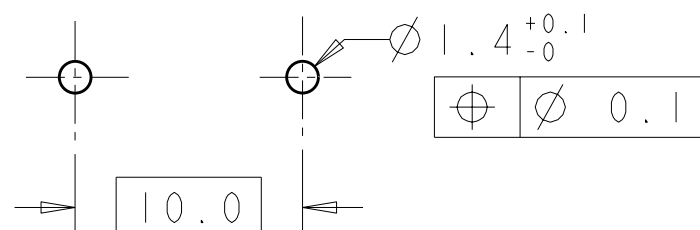


282816-2 AS SHOWN



| | | |
|-----|----|------------|
| 125 | 13 | 1-282816-3 |
| 115 | 12 | 1-282816-2 |
| 105 | 11 | 1-282816-1 |
| 95 | 10 | 1-282816-0 |
| 85 | 9 | 282816-9 |
| 75 | 8 | 282816-8 |
| 65 | 7 | 282816-7 |
| 55 | 6 | 282816-6 |
| 45 | 5 | 282816-5 |
| 35 | 4 | 282816-4 |
| 25 | 3 | 282816-3 |
| 15 | 2 | 282816-2 |

RECOMMENDED PC BOARD LAYOUT



| | | | | |
|----------------------------------------|--|-------------------------------------|-------------------------------------------------------------------------------|------------------------|
| THIS DRAWING IS A CONTROLLED DOCUMENT. | | DWN E. ZANOLINI 25 JUL 2001 | TE Connectivity | |
| DIMENSIONS: mm | | CHK D. BIEVENOUR 25 JUL 2001 | | |
| TOLERANCES UNLESS OTHERWISE SPECIFIED: | | APVD D. BIEVENOUR 25 JUL 2001 | NAME TERMINAL BLOCK HEADER ASSEMBLY 90 DEGREE CLOSED ENDS 10mm PITCH | |
| 0 PLC ±- | | PRODUCT SPEC 108-20166 | SIZE A3 | |
| 1 PLC ±.2 | | APPLICATION SPEC 114-20079 | CAGE CODE 00779 | DRAWING NO C-282816 |
| 2 PLC ±.25 | | WEIGHT - | RESTRICTED TO - | |
| 3 PLC ±- | | MATERIAL 1 | SCALE 3:1 | |
| 4 PLC ±- | | | SHEET 1 OF 1 | |
| ANGLES ±2 | | CUSTOMER DRAWING | | REV C1 |

单击下面可查看定价，库存，交付和生命周期等信息

[>>TE Connectivity\(泰科\)](#)