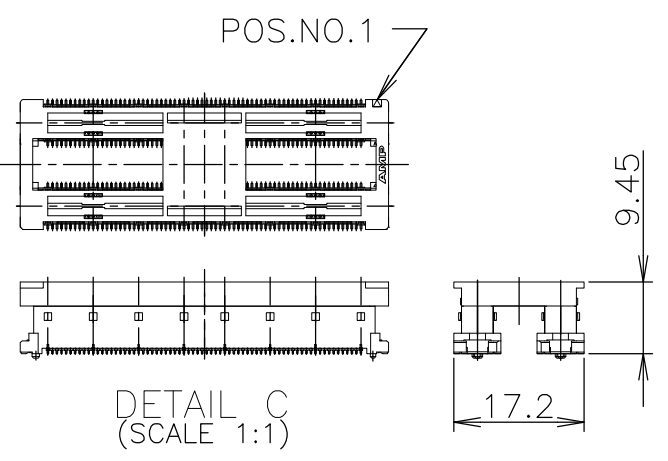
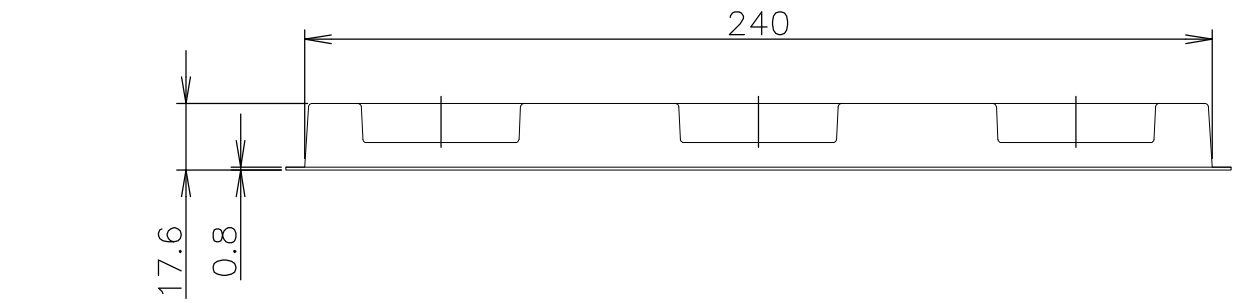
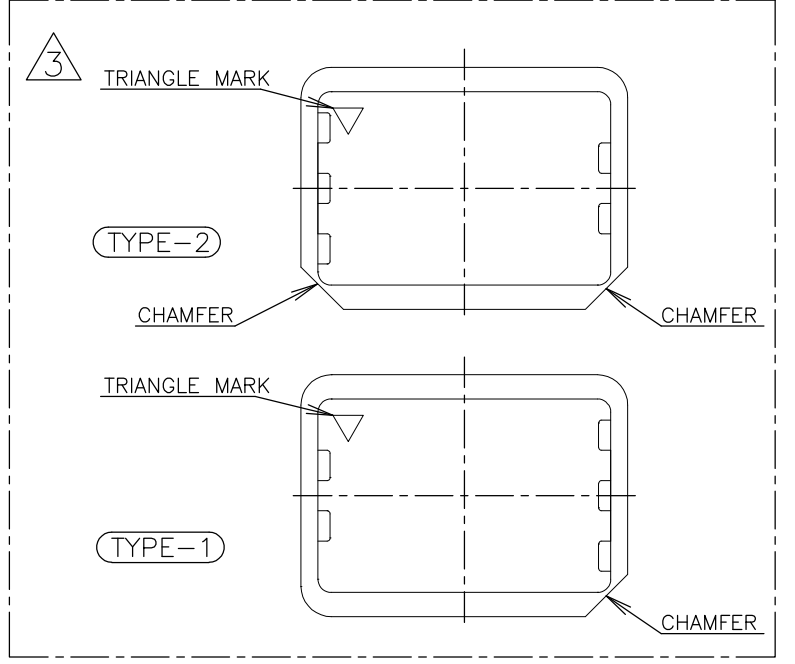
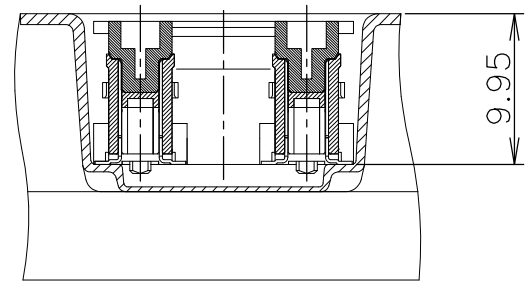
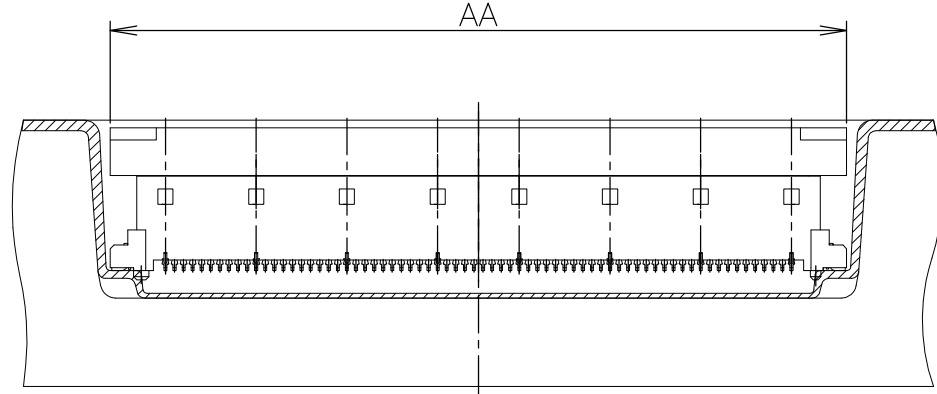
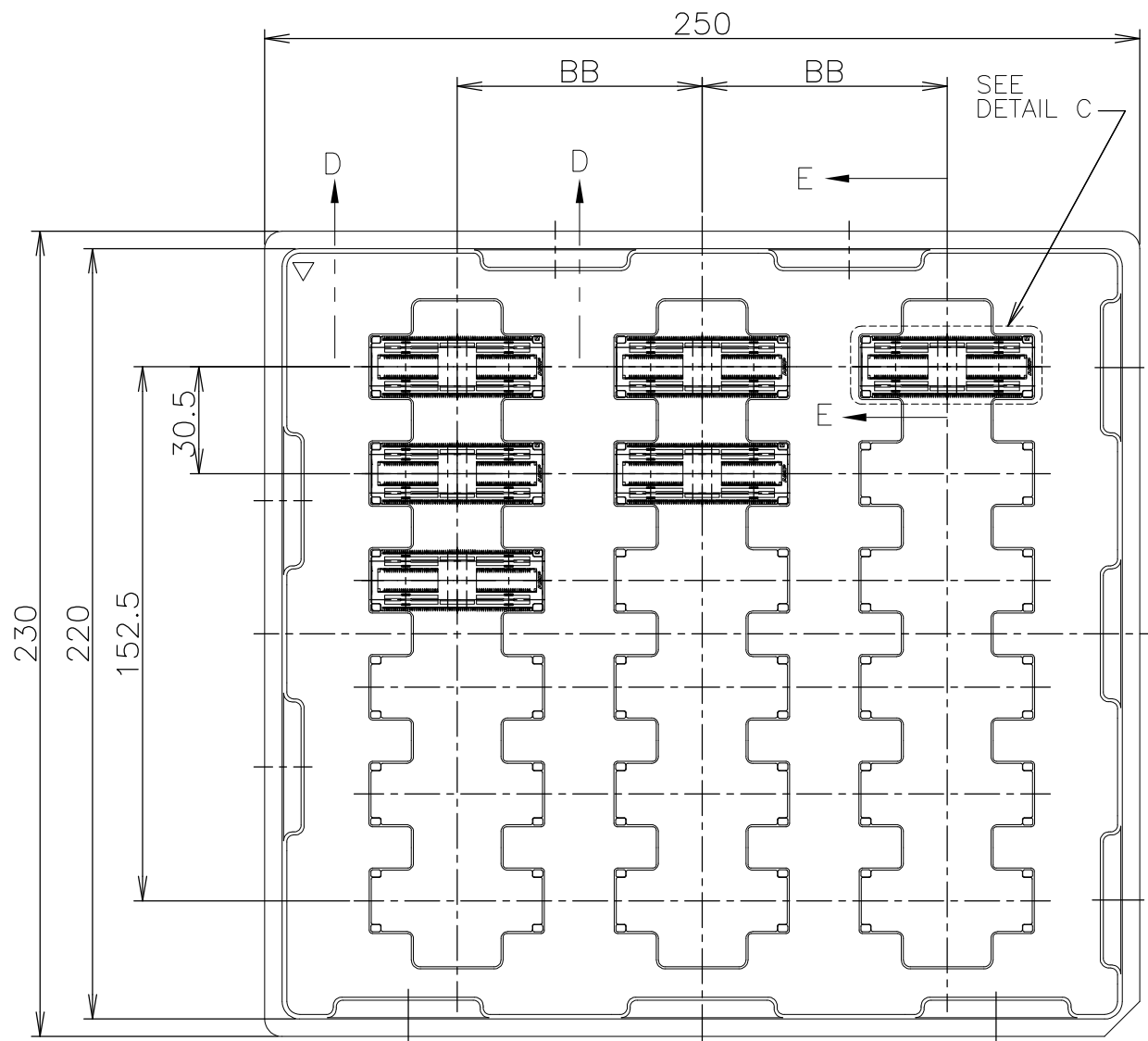


THIS DRAWING IS UNPUBLISHED. RELEASED FOR PUBLICATION JAN , 1997.
 © COPYRIGHT 1997 By - ALL RIGHTS RESERVED.

LOC J	DIST	REVISIONS 変更			DATE	DWN	APVD
P	LTR	DESCRIPTION					
	A1	REVISED PER ECR-15-012743		24SEP2015	I.T	W.H	

AS SHOWN: TYPE-1



GENERAL TOLERANCE
一般公差

10 ≥ ±0.2
30 ≥ >10: ±0.25
100 ≥ >30: ±0.3
ANGLES: ±3°

THIS DRAWING IS A CONTROLLED DOCUMENT.

DIMENSIONS: 単位: 耗 mm	TOLERANCES UNLESS OTHERWISE SPECIFIED: 一般公差
0 PLC ± -	1 PLC ± -
2 PLC ± -	3 PLC ± -
4 PLC ± -	ANGLES ± -
MATERIAL 材料	FINISH 仕上

SEALANT	△5	AVAILABLE	3	18	70	48.7	280	6-1554701-0
NON SEALANT		AVAILABLE	3	18	70	48.7	280	1-1554701-0
SEALANT		TOOLING STATUS	ROW	QTY	BB	AA	POS.	PART NO.

DWN Y.OKOSHI 07SEP2009	STE TE Connectivity	
CHK S.KAJINUMA 07SEP2009		
APVD S.KAJINUMA 07SEP2009	NAME 名称	
PRODUCT SPEC 製品規格 108-60047	SOFT TRAY ASSY FH 0.6BTB CONNECTOR PLUG 8H 2ROW TYPE	
APPLICATION SPEC 取付適用規格 114-5255	SIZE A3	CAGE CODE 00779
WEIGHT	DRAWING NO 番号 C-1554701	RESTRICTED TO
CUSTOMER DRAWING	SCALE 尺度 1:2	SHEET 1 OF 2
		REV A1

单击下面可查看定价，库存，交付和生命周期等信息

[>>TE Connectivity\(泰科\)](#)