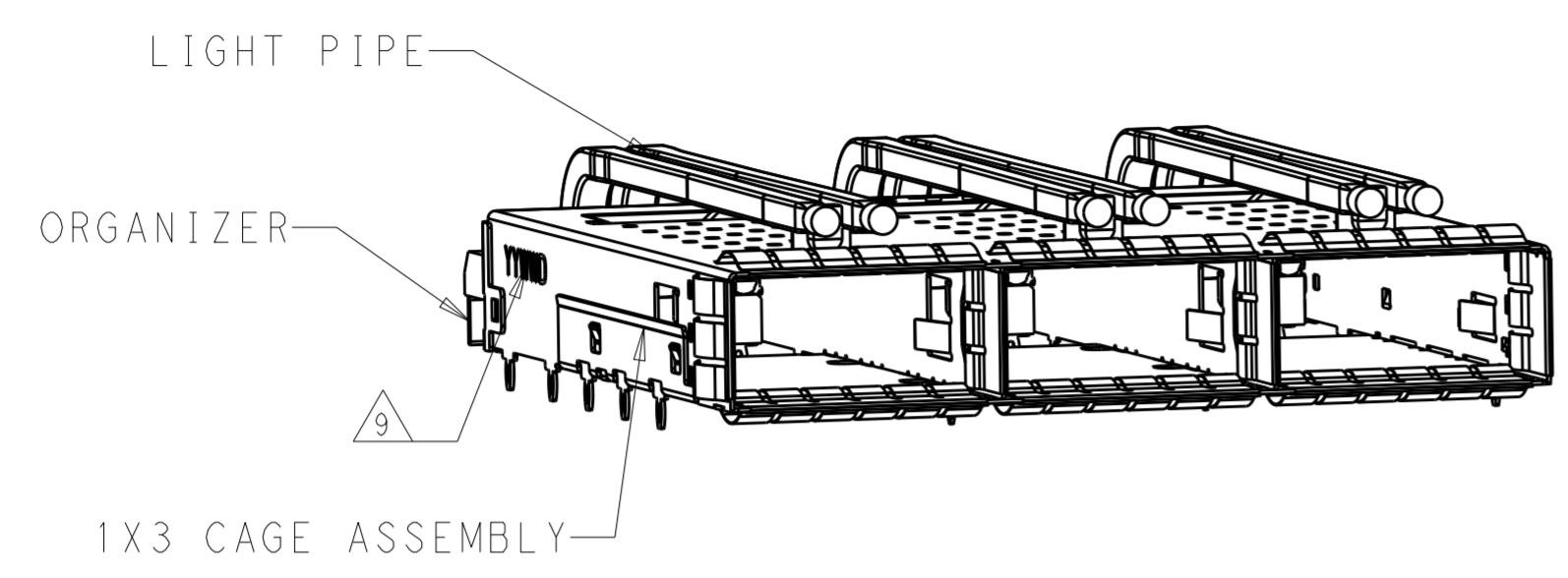
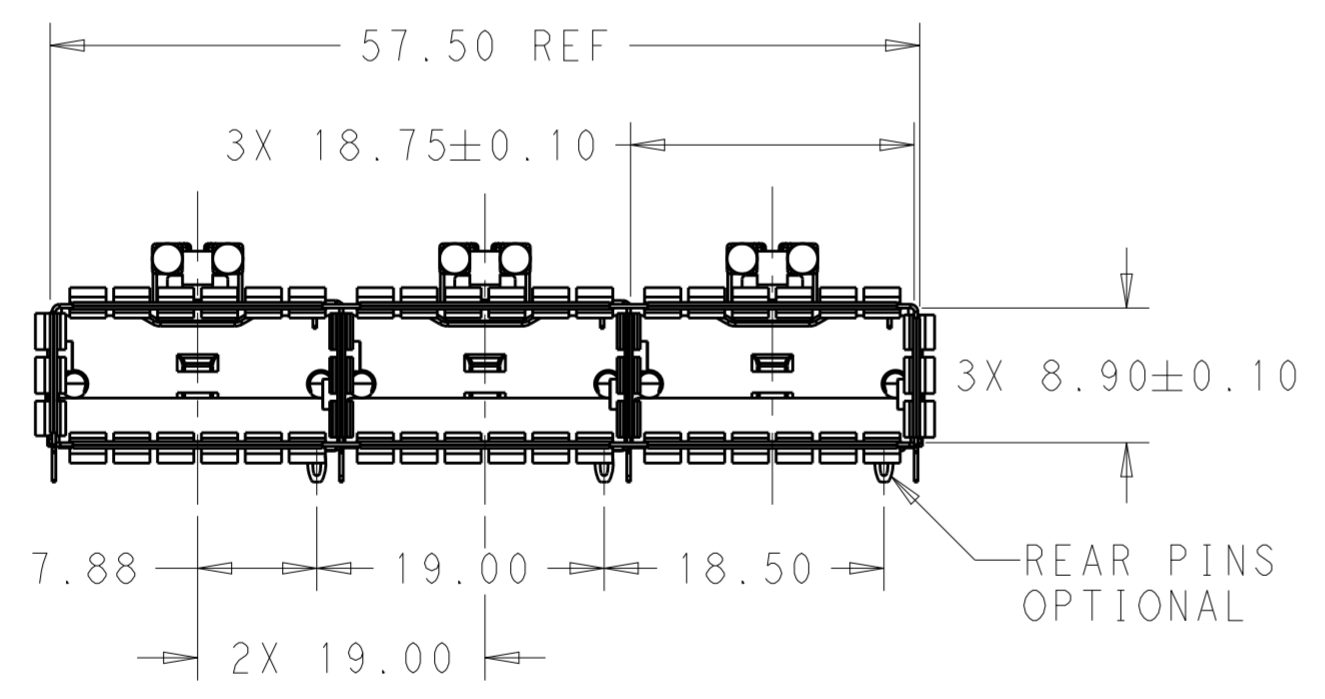


THIS DRAWING IS UNPUBLISHED. RELEASED FOR PUBLICATION 20
 © COPYRIGHT 20 BY - ALL RIGHTS RESERVED.

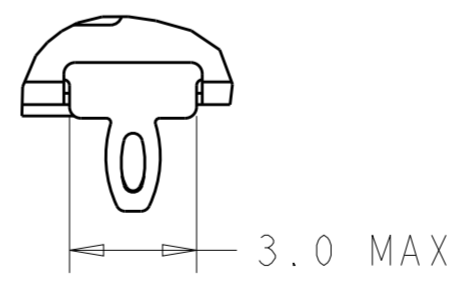
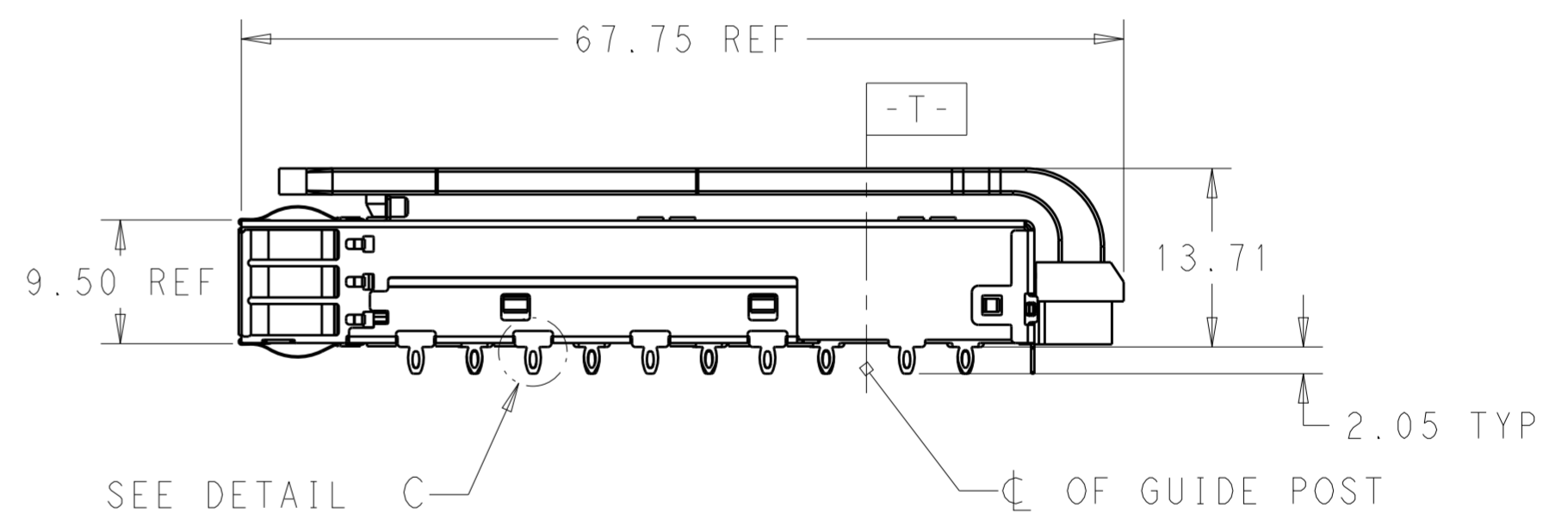
LOC	DIST	REVISIONS					
GP	00	P	LTR	DESCRIPTION	DATE	DWN	APVD
			A	RELEASE	03NOV2016	JY	SH



1. COMPONENTS
 CAGE ASSEMBLY: NICKEL-SILVER ALLOY
 EMI SPRING: COPPER ALLOY/NICKEL PLATE
 LIGHT PIPE: CLEAR POLYCARBONATE
 ORGANIZER: POLYESTER
2. REFERENCE APPLICATION SPECIFICATION 114-32023 FOR RECOMMENDED DRILL HOLE DIAMETER AND PLATING THICKNESS
3. DATUM AND BASIC DIMENSION ESTABLISHED BY CUSTOMER
4. MATES WITH QSFP28 MSA COMPATIBLE TRANSCEIVER.
5. LIGHT PIPES ARE SHIPPED ASSEMBLED ON CAGE
6. MINIMUM PC BOARD THICKNESS: SINGLE SIDED: 1.57 MIN
 DOUBLE SIDED: 2.20 MIN
7. DATUM **-A-** IS TOP SURFACE OF THE HOST BOARD.
8. THESE HOLES ARE OPTIONAL WHEN THE REAR PINS ARE REMOVED.
9. DATE CODE (YYWWD) MARKED APPROXIMATELY AS SHOWN.



SCALE 2:1



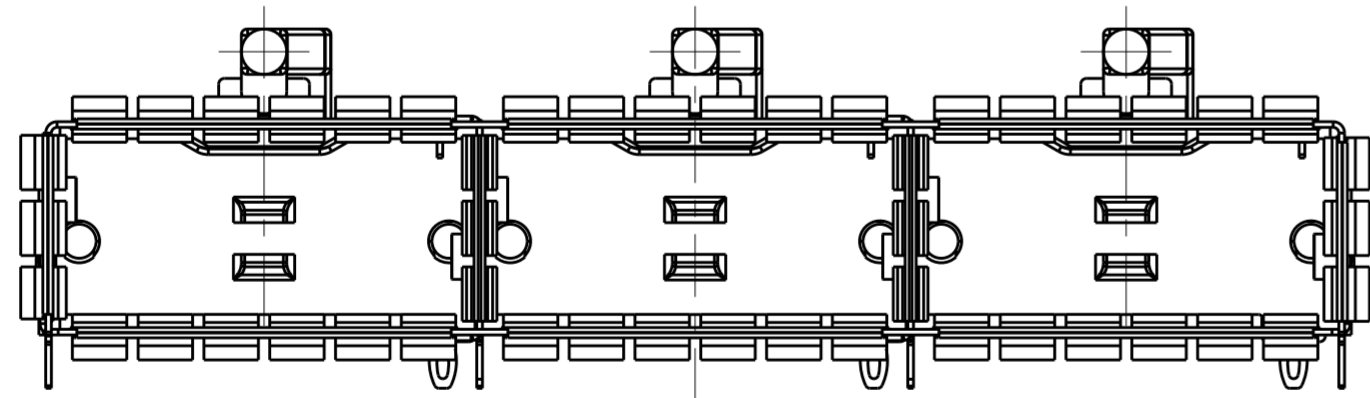
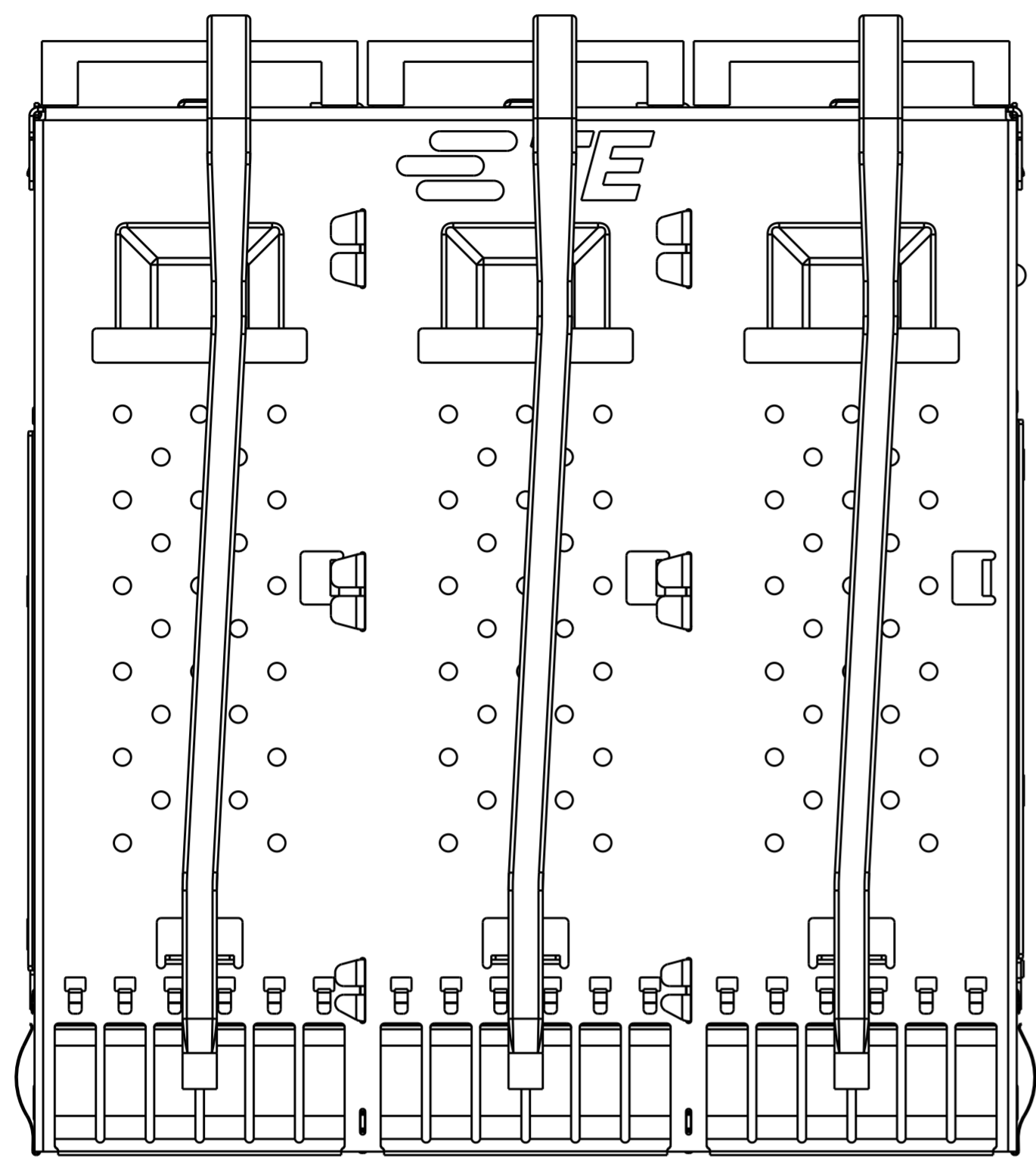
DETAIL C
 SCALE 6:1

DUAL	WITHOUT	2170739-2
DUAL	WITH	2170739-1
LIGHT PIPE OPTIONAL	REAR PINS OPTIONAL	PART NUMBER

THIS DRAWING IS A CONTROLLED DOCUMENT.		DWN BING LIU 04JUL2014	TE Connectivity	
DIMENSIONS: mm		CHK JASON YANG 04JUL2014		
TOLERANCES UNLESS OTHERWISE SPECIFIED:		APVD SEAN HAN 03NOV2016	NAME RECEPTACLE CAGE ASSEMBLY WITH LIGHT PIPES, THRU BEZEL, 1X3, QSFP28	
0 PLC ± 1 PLC ±0.25 2 PLC ±0.2 3 PLC ± 4 PLC ± ANGLES ± FINISH ±		PRODUCT SPEC 108-19428	SIZE A2	
MATERIAL SEE NOTES		APPLICATION SPEC 114-32023	CAGE CODE 00779	DRAWING NO C-2170739
WEIGHT -		CUSTOMER DRAWING	SCALE 3:1	RESTRICTED TO -
SCALE 3:1		SHEET 1 OF 6		REV A

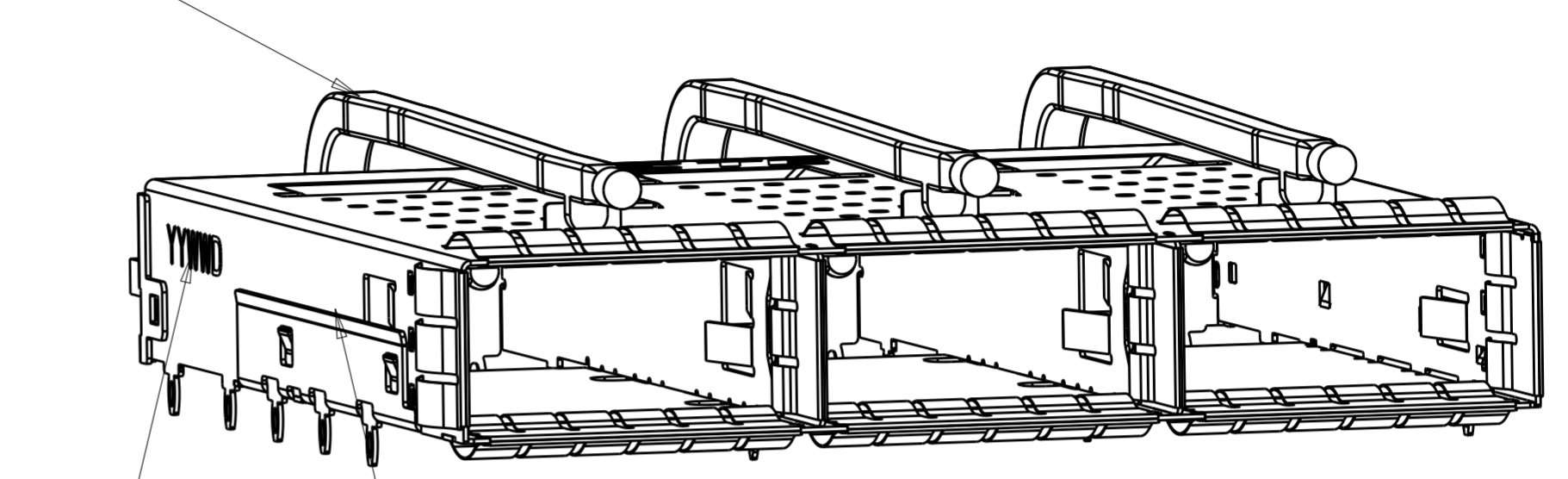
THIS DRAWING IS UNPUBLISHED. RELEASED FOR PUBLICATION 20
 © COPYRIGHT 20 BY - ALL RIGHTS RESERVED.

LOC		DIST		REVISIONS			
P	LTR	DESCRIPTION	DATE	DWN	APVD		
-	-	SEE SHEET 1	-	-	-		



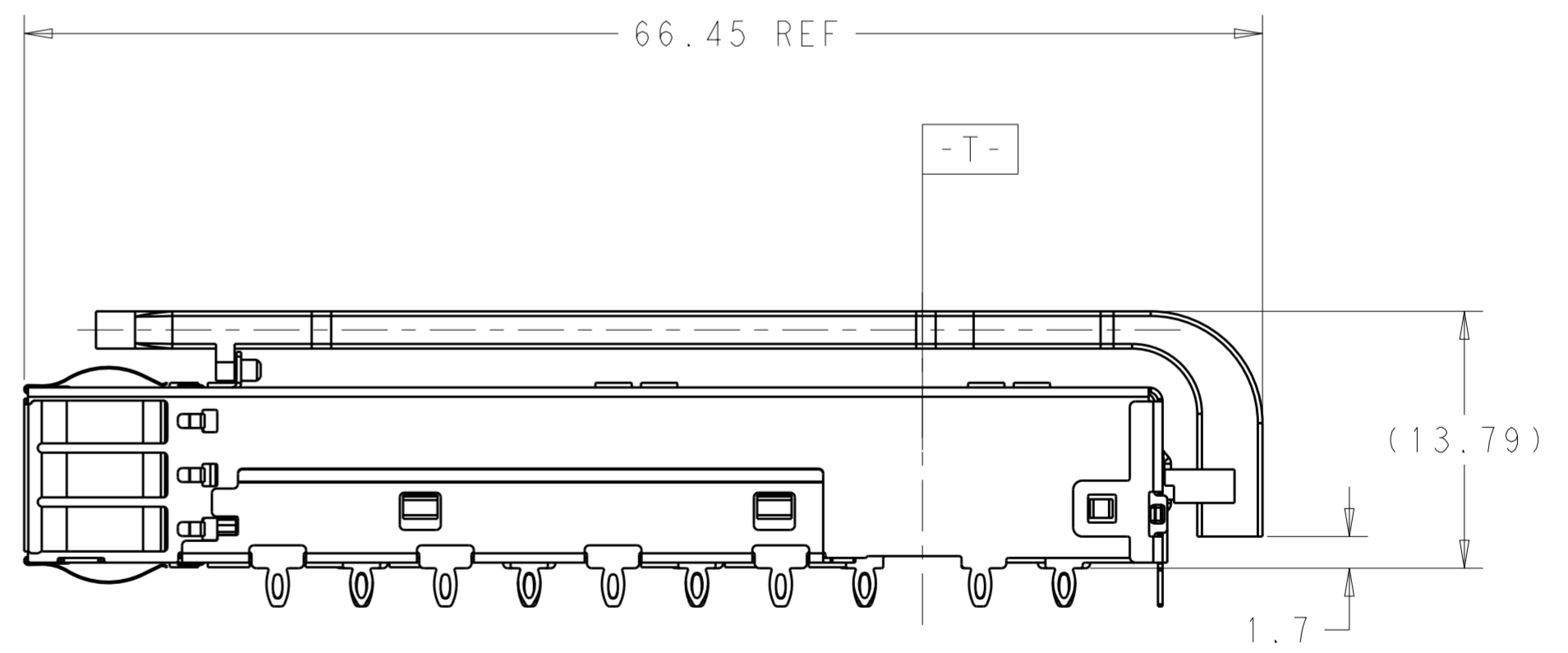
SCALE 3:1
 UNDIMENSIONED DIMENSION SAME AS 2170739-1

LIGHT PIPE



SCALE 3:1

1X3 CAGE ASSEMBLY

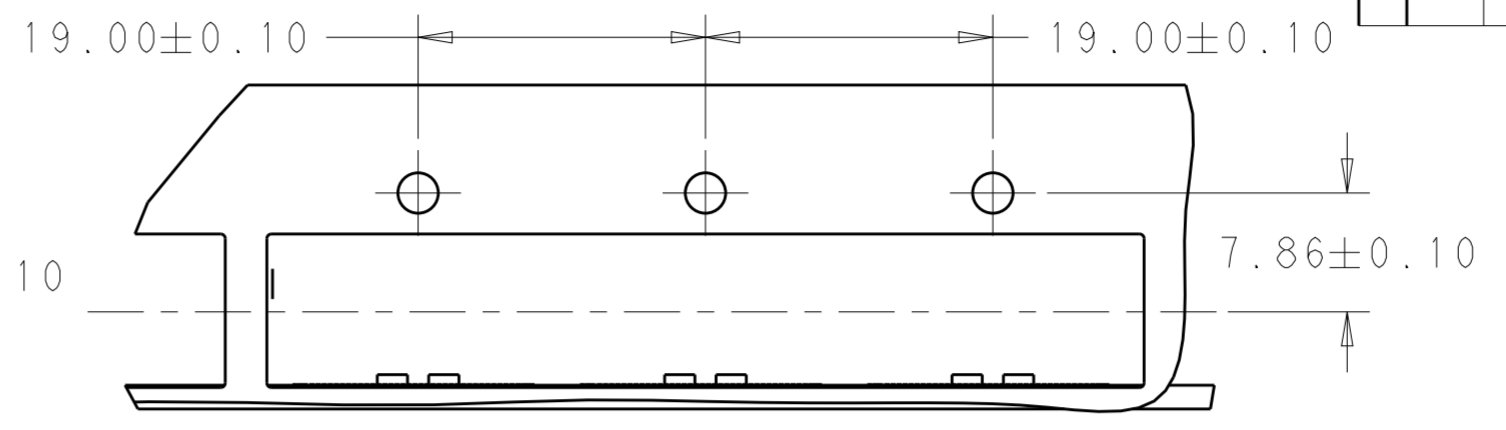
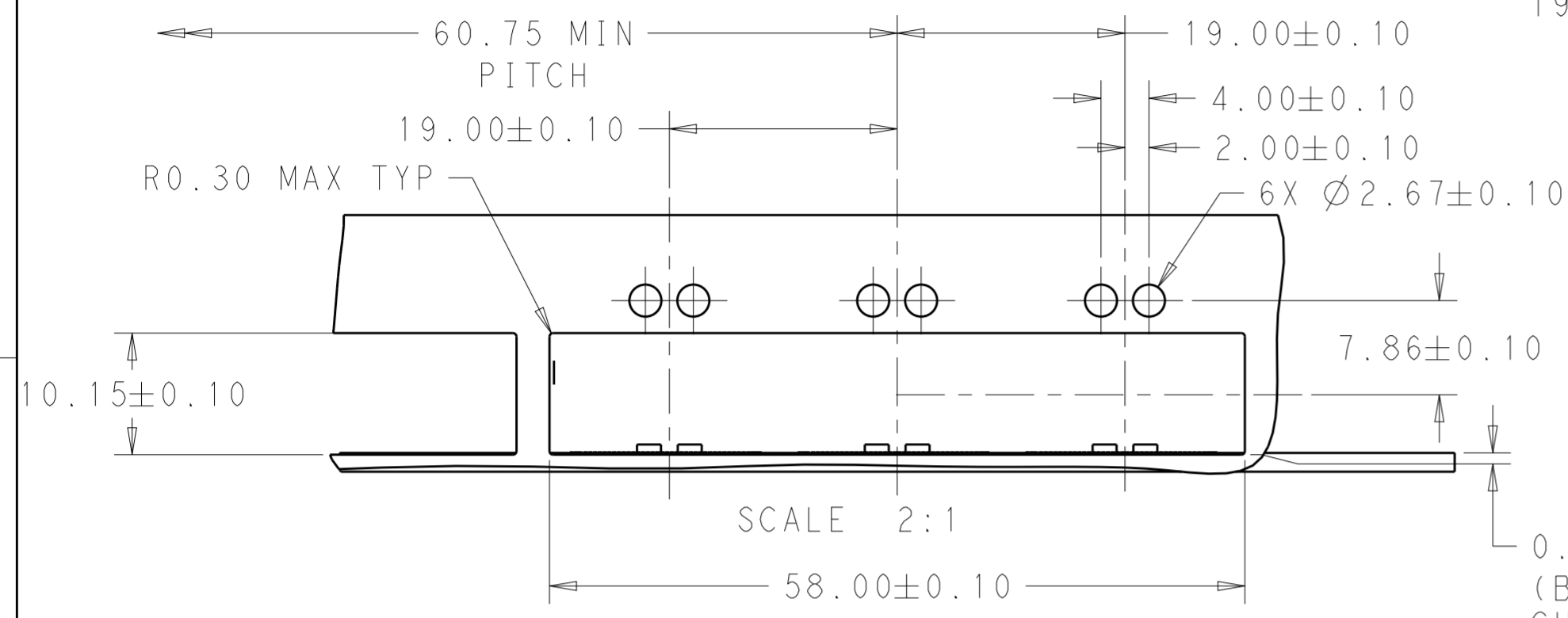


SINGLE LIGHT PIPE OPTIONAL	WITH REAR PINS OPTIONAL	2170739-3 PART NUMBER
----------------------------	-------------------------	-----------------------

THIS DRAWING IS A CONTROLLED DOCUMENT.		DWN BING LIU 04JUL2014	TE Connectivity
DIMENSIONS: mm		CHK JASON YANG 04JUL2014	
TOLERANCES UNLESS OTHERWISE SPECIFIED:		APVD SEAN HAN 03NOV2016	
0 PLC ± 1 PLC ±0.25 2 PLC ±0.2 3 PLC ± 4 PLC ± ANGLES ± FINISH		NAME RECEPTACLE CAGE ASSEMBLY WITH LIGHT PIPES, THRU BEZEL, 1X3, QSFP28 PRODUCT SPEC 108-19428 APPLICATION SPEC 114-32023 WEIGHT -	
MATERIAL SEE NOTES material_2	FINISH SEE NOTES finish_spec_2	CUSTOMER DRAWING	SIZE A200779 CAGE CODE C-2170739 DRAWING NO C-2170739 RESTRICTED TO - SCALE 3:1 SHEET 2 OF 6 REV A

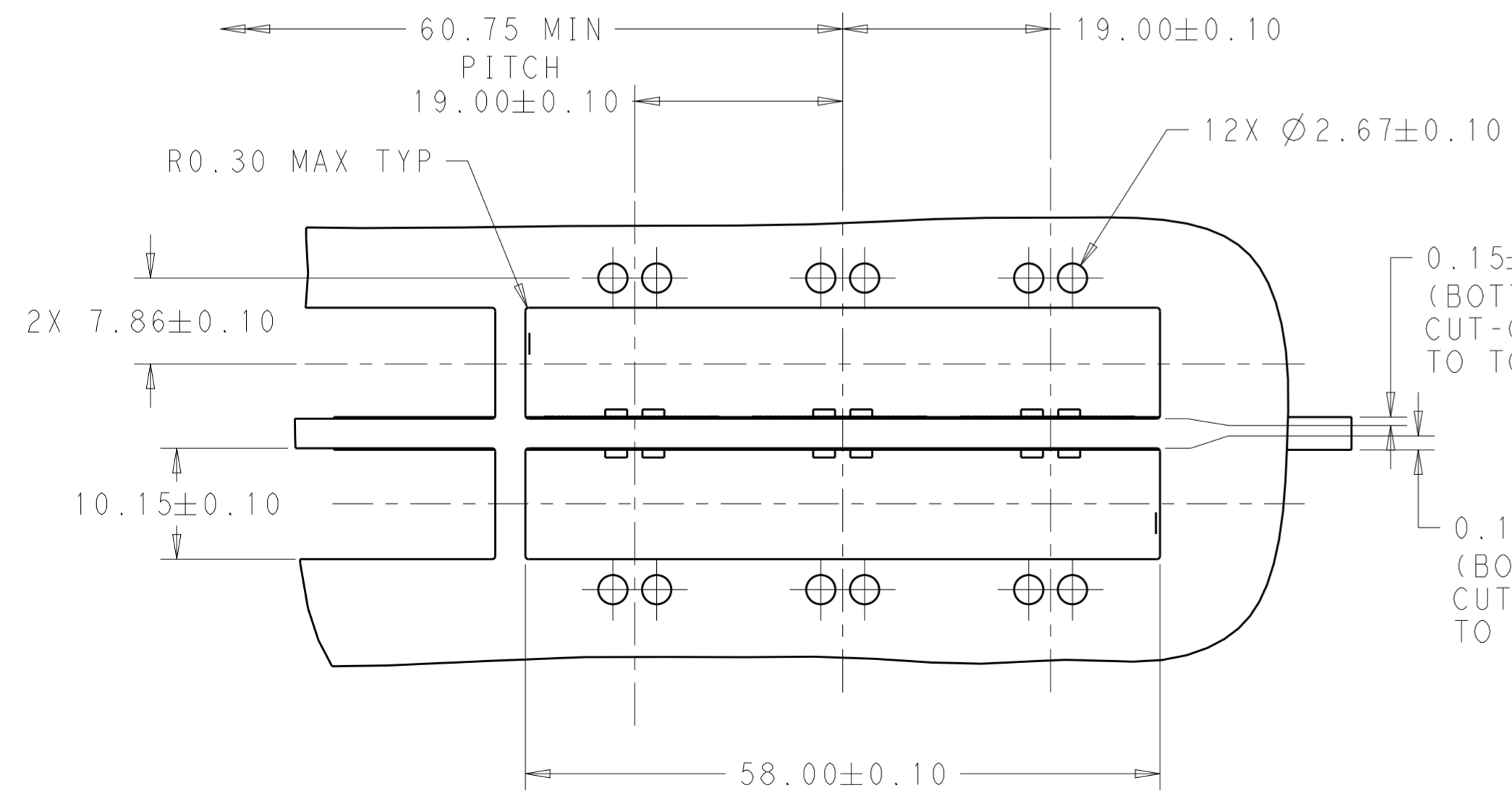
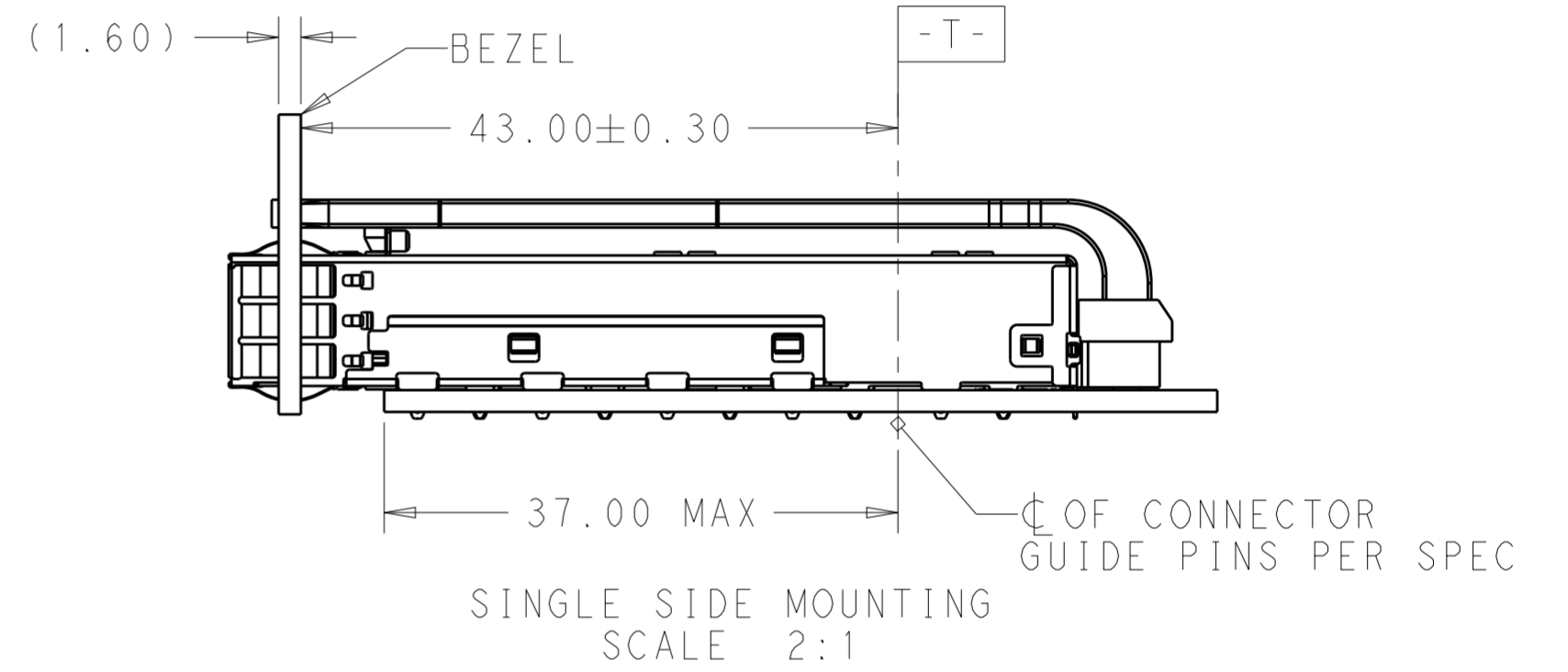
THIS DRAWING IS UNPUBLISHED. RELEASED FOR PUBLICATION 20
 © COPYRIGHT 20 BY - ALL RIGHTS RESERVED.

LOC		DIST		REVISIONS			
P	LTR	DESCRIPTION	DATE	DWN	APVD		
-	-	SEE SHEET 1	-	-	-		



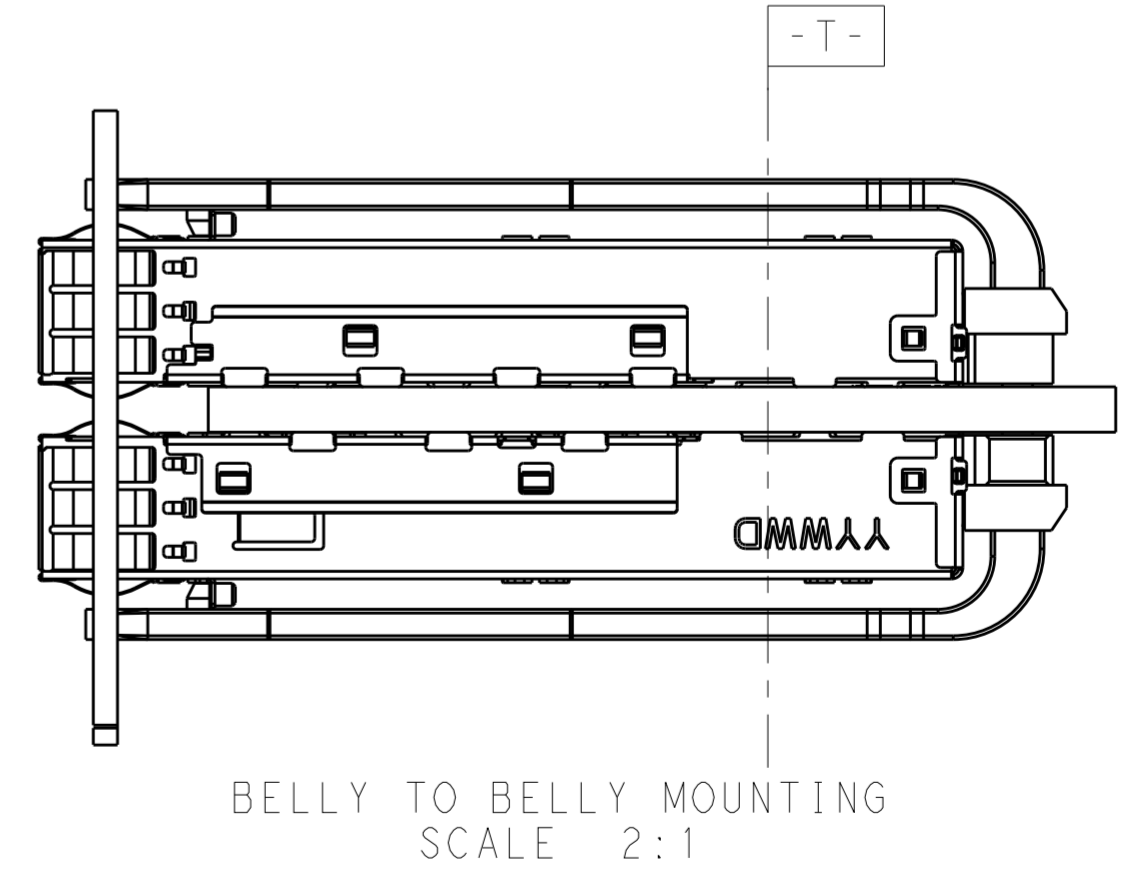
SCALE 2:1
 FOR SINGLE LP APPLICATION, UNDIMENSIONED
 DIMENSION SAME AS DUAL LP APPLICATION

0.15±0.10
 (BOTTOM OF
 CUT-OUT IN BEZEL
 TO TOP PCB)



0.15±0.10
 (BOTTOM OF
 CUT-OUT IN BEZEL
 TO TOP PCB)

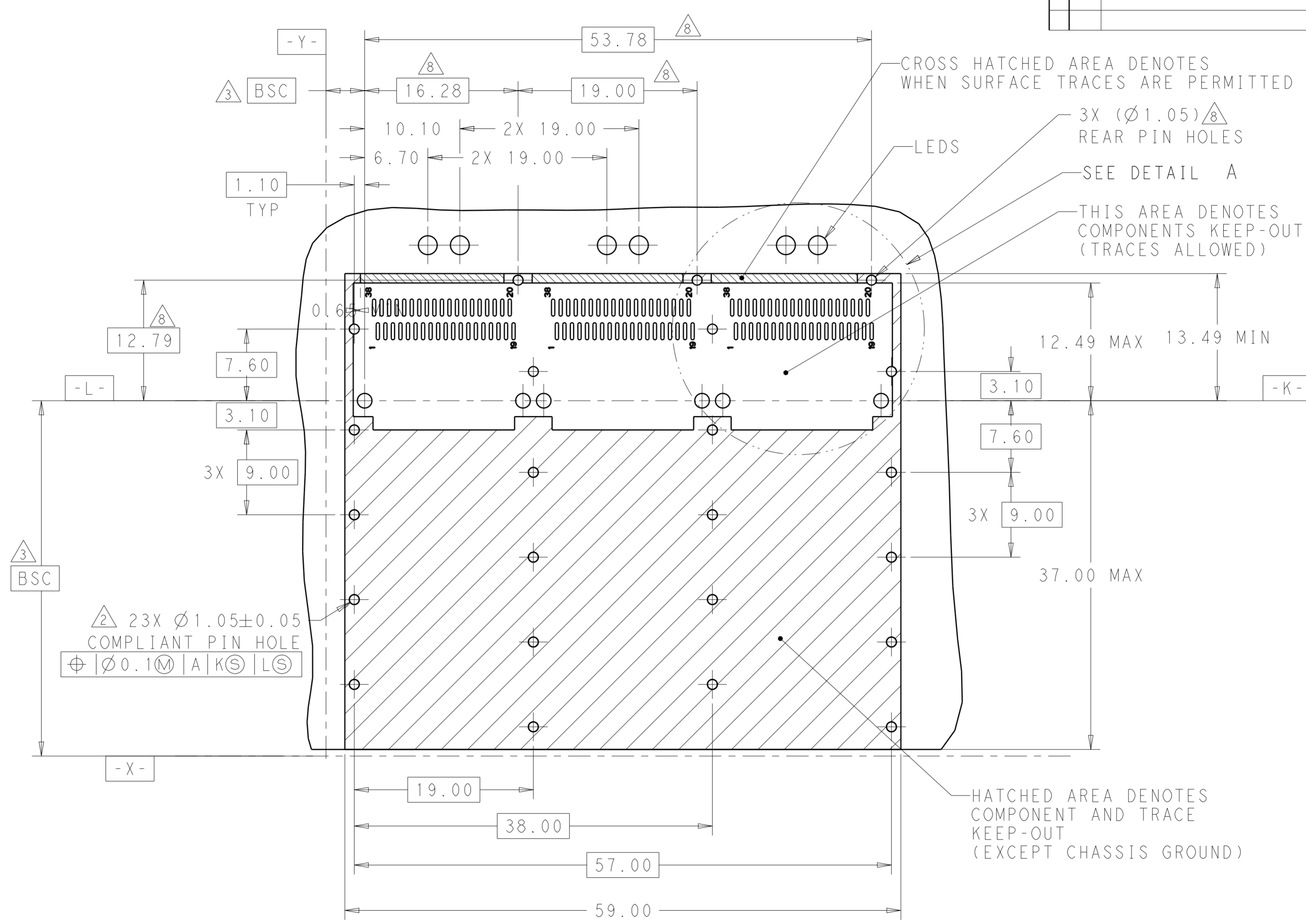
0.15±0.10
 (BOTTOM OF
 CUT-OUT IN BEZEL
 TO TOP PCB)




THIS DRAWING IS A CONTROLLED DOCUMENT.		DWN BING LIU 04JUL2014	TE Connectivity	
DIMENSIONS: mm		CHK JASON YANG 04JUL2014		
TOLERANCES UNLESS OTHERWISE SPECIFIED:		APVD SEAN HAN 03NOV2016	NAME RECEPTACLE CAGE ASSEMBLY WITH LIGHT PIPES, THRU BEZEL, 1X3, QSFP28	
0 PLC ± 1 PLC ±0.25 2 PLC ±0.2 3 PLC ± 4 PLC ±		PRODUCT SPEC 108-19428	SIZE A200779	DRAWING NO C-2170739
MATERIAL SEE NOTES material_2		FINISH SEE NOTES finish_spec_2	WEIGHT -	RESTRICTED TO -
		CUSTOMER DRAWING	SCALE 3:1	SHEET 3 OF 6
				REV A

THIS DRAWING IS UNPUBLISHED. RELEASED FOR PUBLICATION 20
 © COPYRIGHT 20 BY - ALL RIGHTS RESERVED.

LOC		DIST		REVISIONS			
P	LTR	DESCRIPTION	DATE	DWN	APVD		
-	-	SEE SHEET 1	-	-	-		

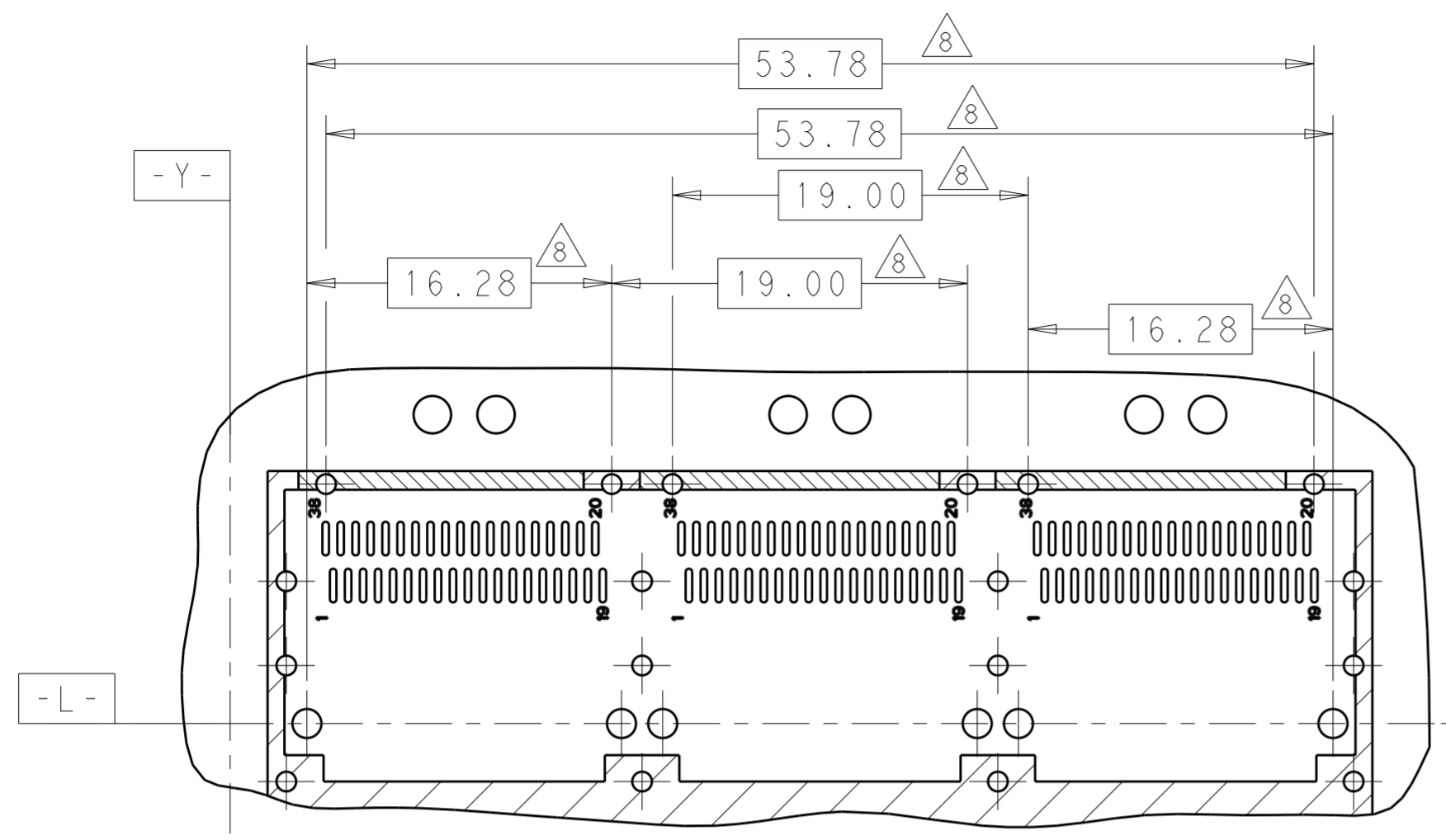


RECOMMENDED PCB LAYOUT
 SINGLE TYPE
 PCB TOLERANCE: ±0.05
 SCALE 3:1

THIS DRAWING IS A CONTROLLED DOCUMENT.		DWN BING LIU 04JUL2014	 TE Connectivity	
DIMENSIONS: mm		CHK JASON YANG 04JUL2014		
TOLERANCES UNLESS OTHERWISE SPECIFIED:		APVD SEAN HAN 03NOV2016	NAME RECEPTACLE CAGE ASSEMBLY WITH LIGHT PIPES, THRU BEZEL, 1X3, QSFP28	
0 PLC ± 1 PLC ±0.25 2 PLC ±0.2 3 PLC ± 4 PLC ± ANGLES ± FINISH SEE NOTES		PRODUCT SPEC 108-19428	SIZE A200779	DRAWING NO C-2170739
MATERIAL SEE NOTES material_2		APPLICATION SPEC 114-32023	RESTRICTED TO -	SCALE 3:1
CUSTOMER DRAWING		WEIGHT -	SHEET 4 OF 6	REV A

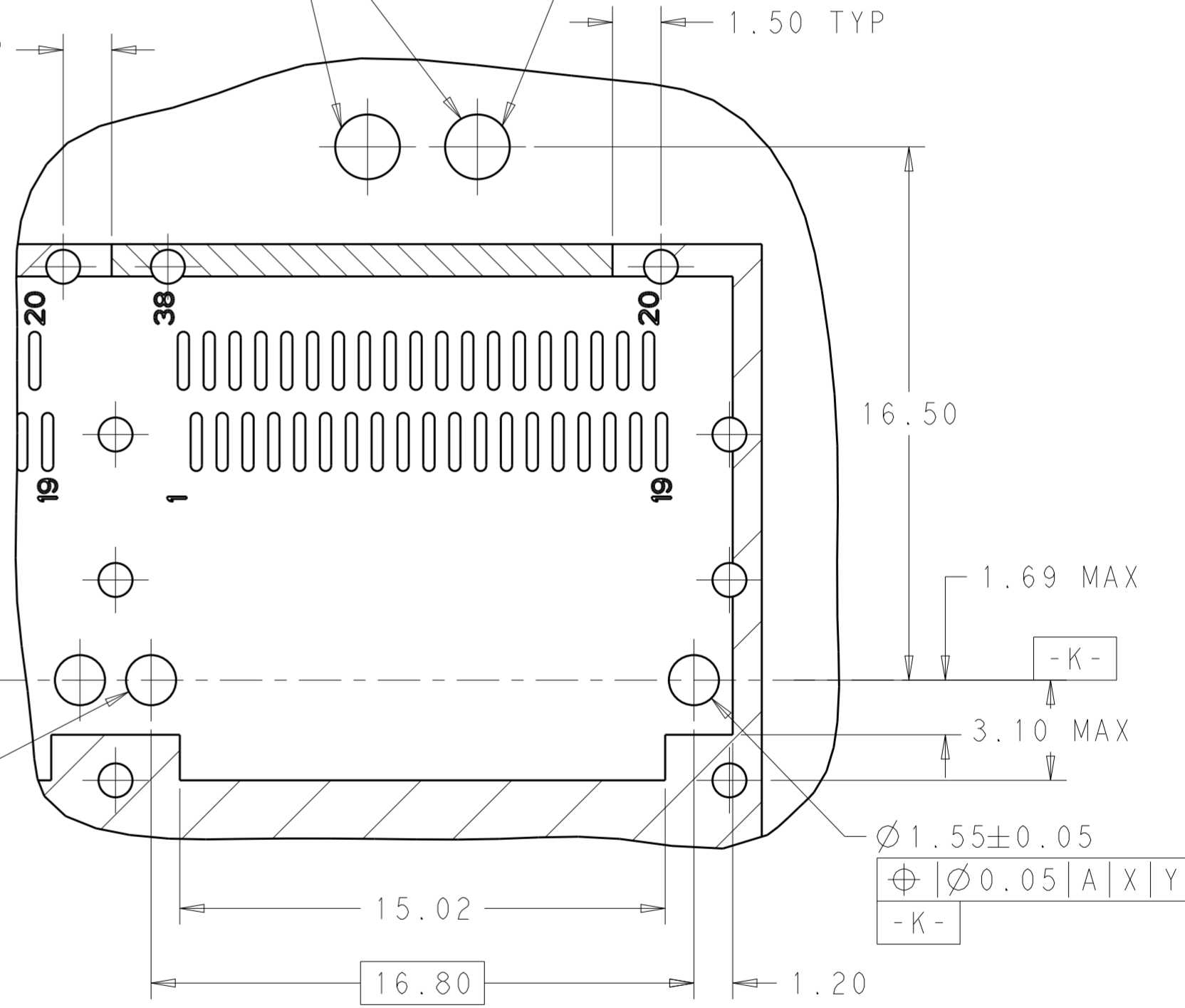
THIS DRAWING IS UNPUBLISHED. RELEASED FOR PUBLICATION 20
 © COPYRIGHT 20 BY - ALL RIGHTS RESERVED.

LOC	DIST	REVISIONS			
P	LTR	DESCRIPTION	DATE	DWN	APVD
-	-	SEE SHEET 1	-	-	-



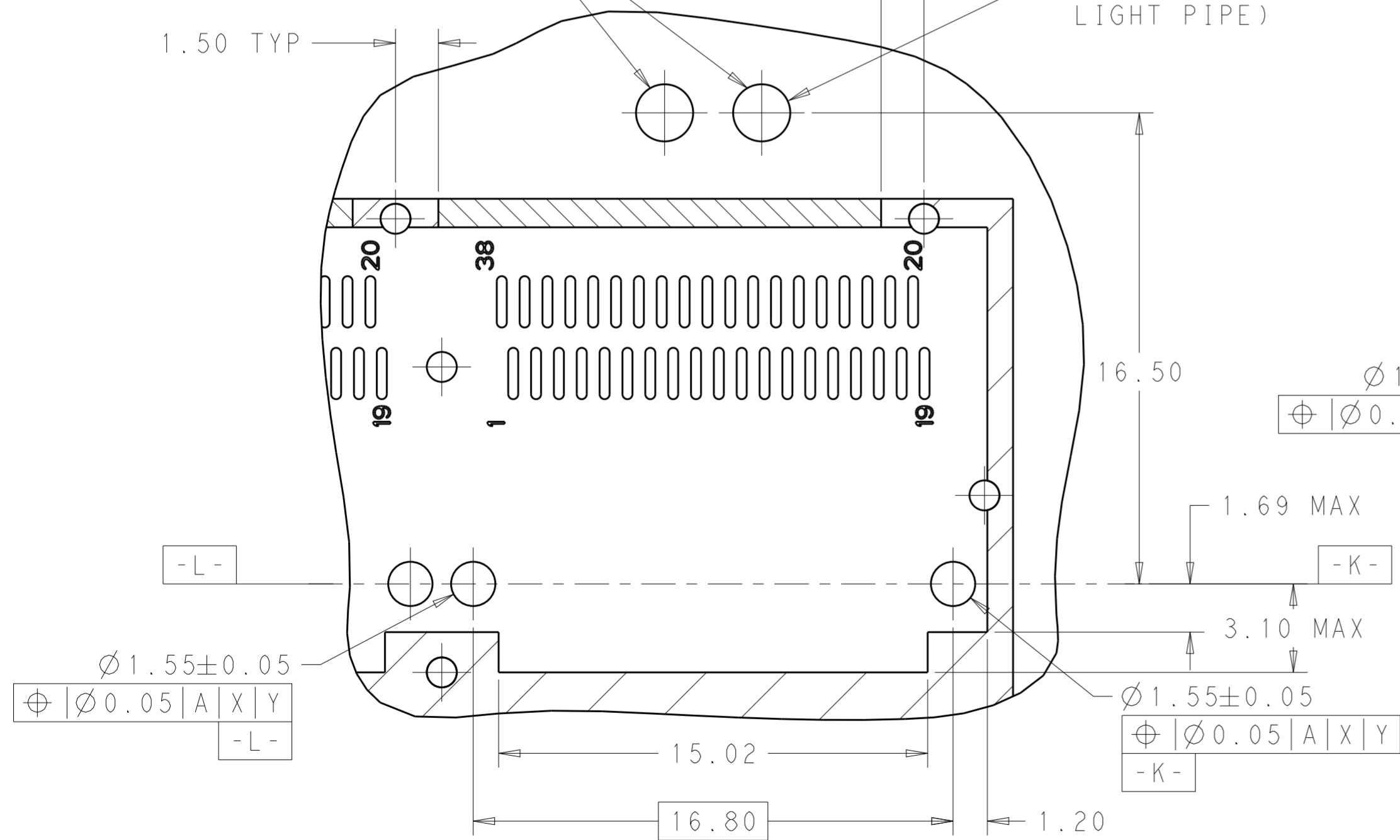
DETAIL D
SCALE 3:1

(FOR DUAL BARREL LIGHT PIPE)
 (FOR SINGLE BARREL LIGHT PIPE)




DETAIL B
SCALE 6:1

(FOR DUAL BARREL LIGHT PIPE)
 1.50 TYP (FOR SINGLE BARREL LIGHT PIPE)



DETAIL A
SCALE 6:1

THIS DRAWING IS A CONTROLLED DOCUMENT.		DWN BING LIU 04JUL2014	 TE Connectivity
		CHK JASON YANG 04JUL2014	
		APVD SEAN HAN 03NOV2016	NAME RECEPTACLE CAGE ASSEMBLY WITH LIGHT PIPES, THRU BEZEL, 1X3, QSFP28
DIMENSIONS: mm		PRODUCT SPEC 108-19428	SIZE CAGE CODE DRAWING NO. RESTRICTED TO
TOLERANCES UNLESS OTHERWISE SPECIFIED:		APPLICATION SPEC 114-32023	A200779 C-2170739
0 PLC ±		WEIGHT -	SCALE 3:1 SHEET 6 OF 6 REV A
1 PLC ±0.25			
2 PLC ±0.2			
3 PLC ±			
4 PLC ±			
ANGLES ±			
FINISH SEE NOTES			
MATERIAL SEE NOTES material_2		CUSTOMER DRAWING	

单击下面可查看定价，库存，交付和生命周期等信息

[>>TE Connectivity\(泰科\)](#)