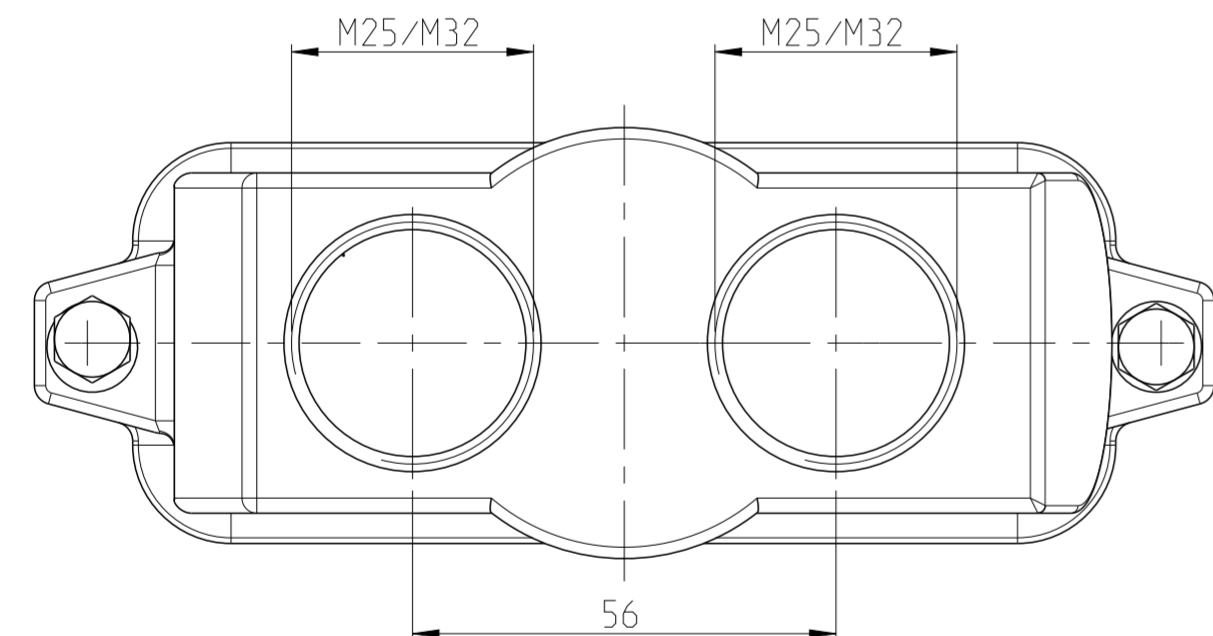
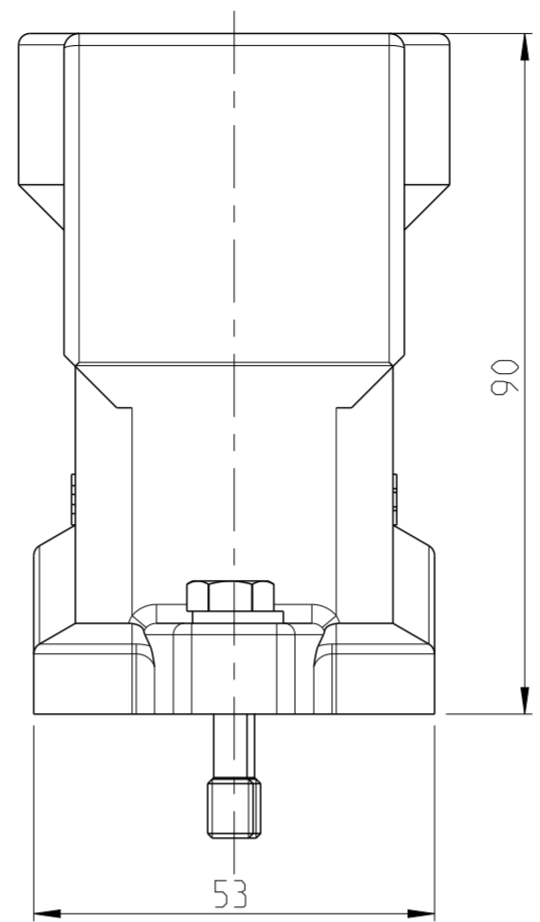
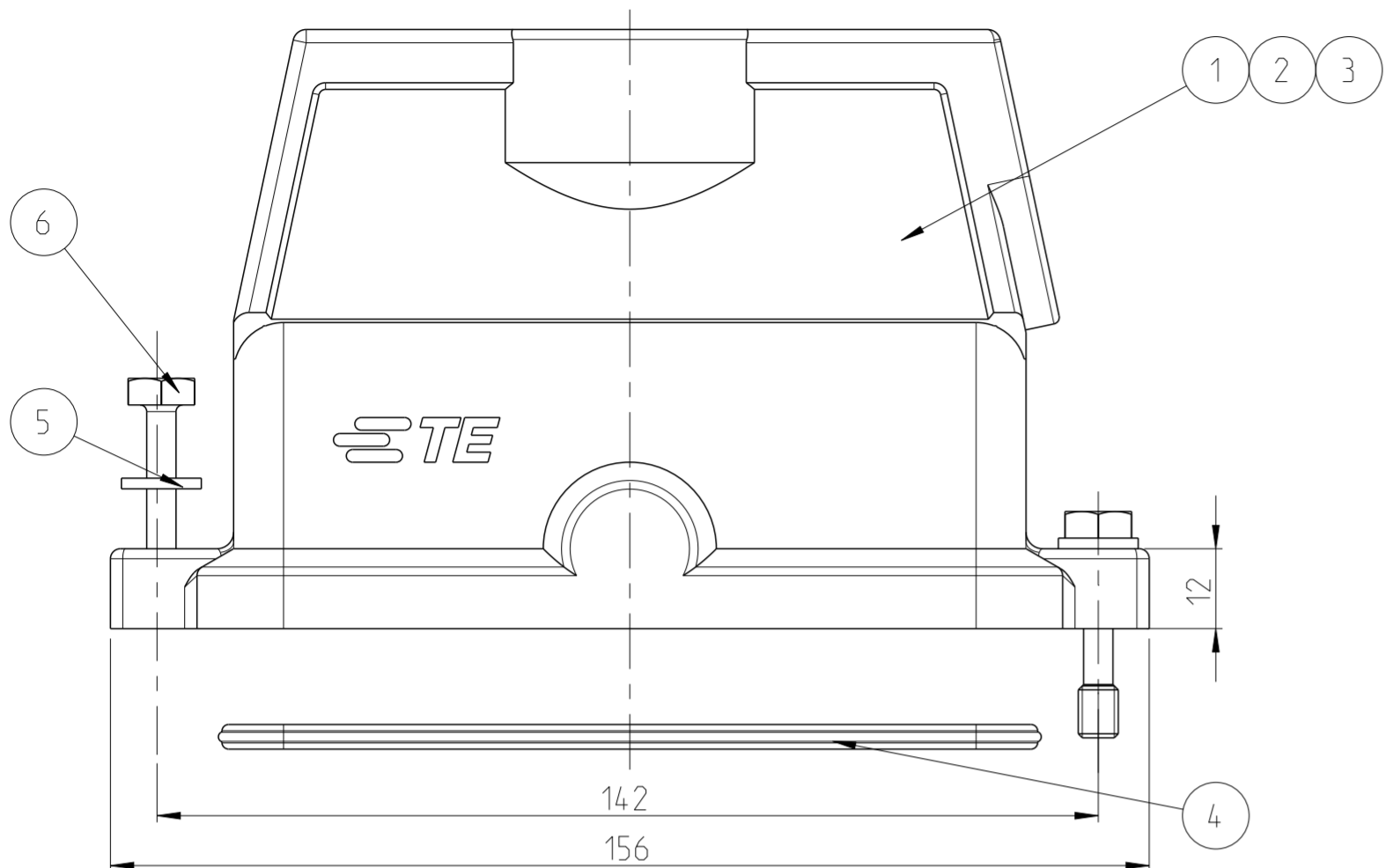


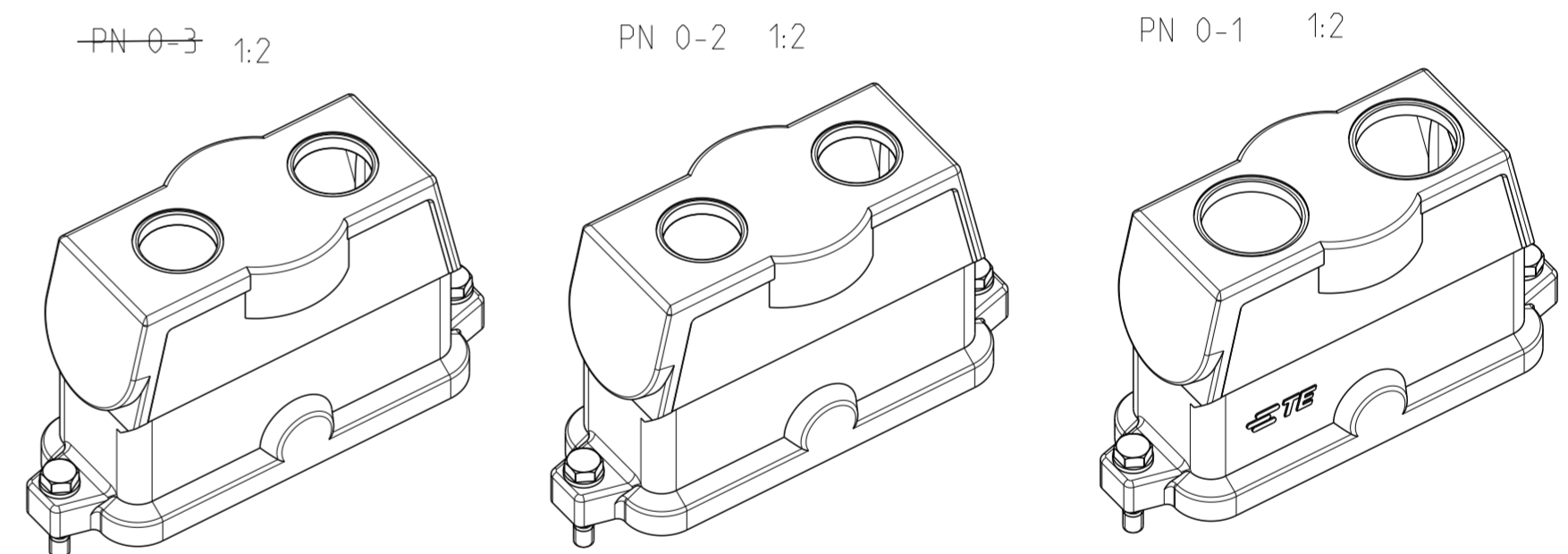
THIS DRAWING IS UNPUBLISHED. RELEASED FOR PUBLICATION 2009  
 © COPYRIGHT 2009 BY - ALL RIGHTS RESERVED.

REVISIONS					
P	LTR	DESCRIPTION	DATE	DWN	APVD
A5		ECR-10-005196	11FEB2010	VG	BR
A6		ECR-16-015318	16AUG2017	GR	MKO
A7		ECR-18-004438	06APR2018	GCM	JB



NOTES

- 1 SUITABLE HOUSINGS:  
CUSTOMER DRAWING: 1102665, 1102626, 1102628, 1108533, 1102624, 1102625, 1106472
- 2 STANDARDS:  
DIN EN 61984, DIN EN 60664-1
- 3 TOOL:  
HEXAGONAL DRIVE SIZE 10
- 4 VARNISH ON INSIDE AREA NOT NECESSARY
- 5 PACKAGING: 5 PIECES IN A CARTON BOX
- 6 KEY CHARACTERISTICS PER TEC- 407-55



QTY	PN/QTY	DESCRIPTION	MATERIAL	COLOR/SURFACE	NOTE	ITEM
2	2	SCREW, HEXAGONAL BOLT	STAINL. STEEL	BLANK	M6x30, DIN 7964, RED. SHUNK	6
2	2	WASHER, PLAIN	STAINL. STEEL	BLANK	B6, EN ISO 7089, 200 HV	5
1	1	PROFILE SEAL	NEOPRENE	BLACK	SIZE 8	4
1	-	CONNECTOR HOUSING	ALU	BLACK	SIZE 8, THREAD M25	3
1	1	CONNECTOR HOUSING	ALU	BLACK	SIZE 8, THREAD M25, WITHOUT LOGO	2
1	-	CONNECTOR HOUSING	ALU	BLACK	SIZE 8, THREAD M32	1
0-3	0-2	0-1				

THIS DRAWING IS A CONTROLLED DOCUMENT.

DIMENSIONS: mm	TOLERANCES UNLESS OTHERWISE SPECIFIED:	DWN V. GLUMM 11FEB2010	 TE Connectivity
		CHK G. WROBLEWSKI 11FEB2010	
		APVD H. BRAUN 11FEB2010	
		PRODUCT SPEC	NAME CONNECTOR HOUSING ASSY SERIES HIP-K.24/64, SIZE 8, STO
		APPLICATION SPEC	SIZE CAGE CODE DRAWING NO RESTRICTED TO
MATERIAL material_2	FINISH finish_spec_2	WEIGHT -	A2 00779 C-1102792
		CUSTOMER DRAWING	SCALE 5:1 SHEET 1 OF 1 REV A7

单击下面可查看定价，库存，交付和生命周期等信息

[>>TE Connectivity\(泰科\)](#)