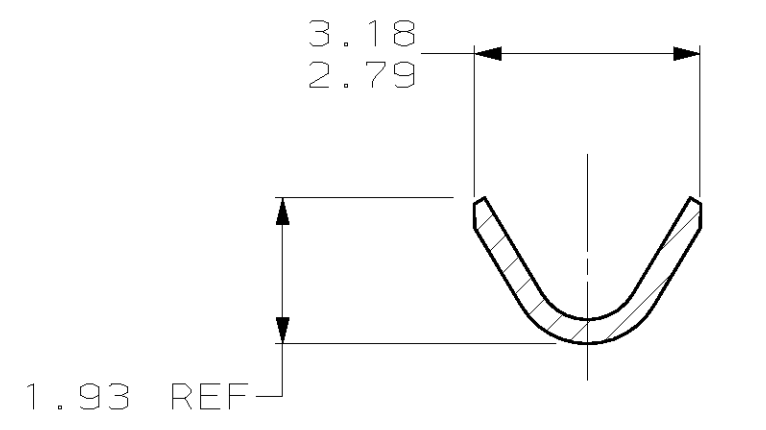
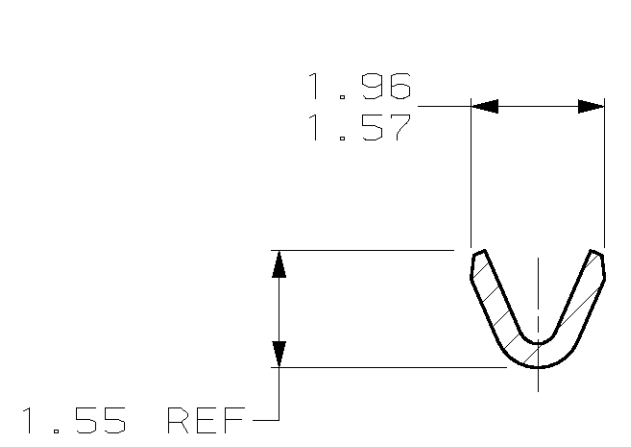
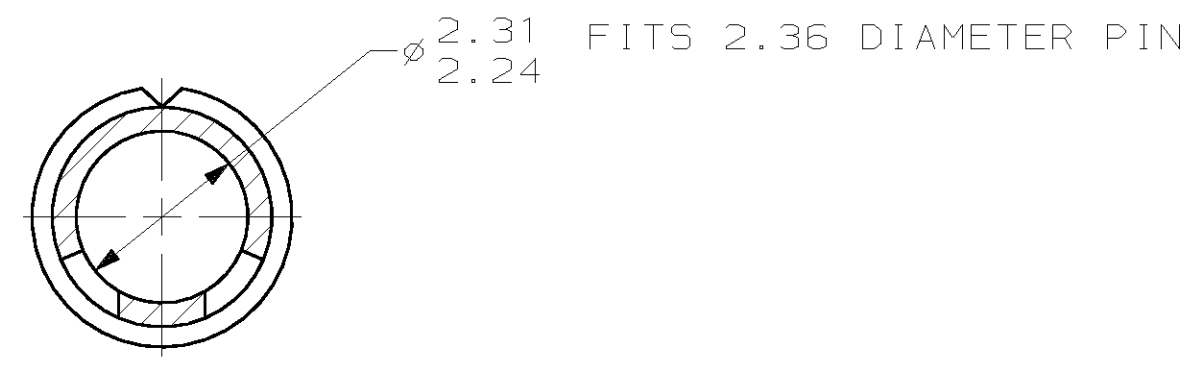
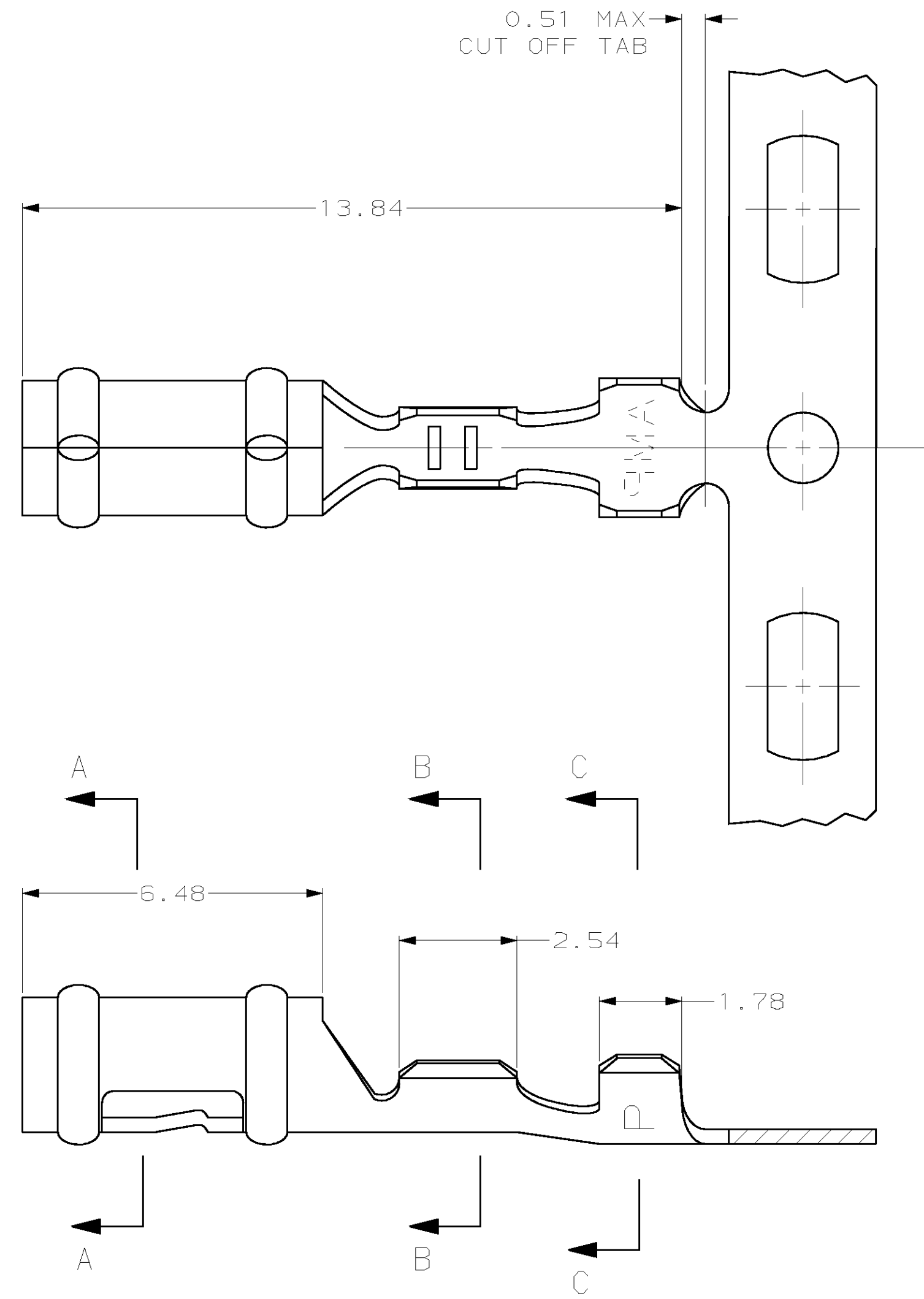


THIS DRAWING IS UNPUBLISHED. RELEASED FOR PUBLICATION .19
 (C) COPYRIGHT 19 BY AMP INCORPORATED. ALL RIGHTS RESERVED.

LOC	DIST	REVISIONS			
P	LTR	DESCRIPTION	DATE	DWN	APVD
CM	52	F	REVISED PER EC 061B-0065-99	17-JUN-99	KW JE

1. WIRE RANGE: 0.08 - 0.15 MM² (28 - 26 AWG)
2. INSULATION RANGE: 0.81 - 1.45



SECTION A-A

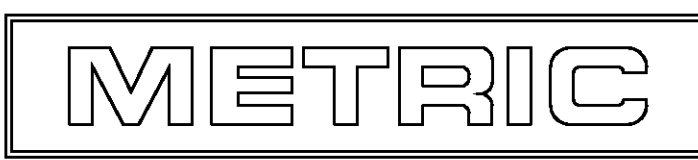
SECTION B-B

SECTION C-C

MINI APPLICATOR	350221-1 PART NUMBER
-----------------	----------------------

MM	IN	MM	IN	MM	IN	MM	IN
1.45	.057	1.96	.077	2.79	.110	-	-
0.81	.032	1.93	.076	2.54	.100	-	-
0.51	.020	1.78	.070	2.36	.093	13.84	.545
0.32	.013	1.57	.062	2.31	.091	6.48	.255
0.13	.005	1.55	.061	2.24	.088	3.18	.125

CONVERSION TABLE



THIS DRAWING IS A CONTROLLED DOCUMENT.		DWN	T. BECK	6-16-97								
DIMENSIONS: mm		CHK	R. SWING	6-16-97								
TOLERANCES UNLESS OTHERWISE SPECIFIED:		APVD	A. BEDDICK	8-22-97								
0 PLC ±-		PRODUCT SPEC	108-1025									
1 PLC ±-		APPLICATION SPEC	114-1008									
2 PLC ±0.13		WEIGHT	-									
3 PLC ±-		CUSTOMER DRAWING	SCALE 10:1 SHEET 1 OF 1 REV F									
4 PLC ANGLES ±-		<table border="1"> <tr> <td>SIZE</td> <td>CAGE CODE</td> <td>DRAWING NO</td> <td>RESTRICTED TO</td> </tr> <tr> <td>A2</td> <td>00779</td> <td>C-350221</td> <td>-</td> </tr> </table>			SIZE	CAGE CODE	DRAWING NO	RESTRICTED TO	A2	00779	C-350221	-
SIZE	CAGE CODE	DRAWING NO	RESTRICTED TO									
A2	00779	C-350221	-									
MATERIAL: 0.32 PH BRZ		<table border="1"> <tr> <td colspan="2">AMP Incorporated</td> <td colspan="2">Harrisburg, PA 17105-3608</td> </tr> <tr> <td colspan="4"> RECEPTACLE, .093 DIAMETER, 28-26 AWG, .032-.057 INSULATION, P.C. CONTACT </td> </tr> </table>			AMP Incorporated		Harrisburg, PA 17105-3608		RECEPTACLE, .093 DIAMETER, 28-26 AWG, .032-.057 INSULATION, P.C. CONTACT			
AMP Incorporated		Harrisburg, PA 17105-3608										
RECEPTACLE, .093 DIAMETER, 28-26 AWG, .032-.057 INSULATION, P.C. CONTACT												

350221

A

单击下面可查看定价，库存，交付和生命周期等信息

[>>TE Connectivity\(泰科\)](#)