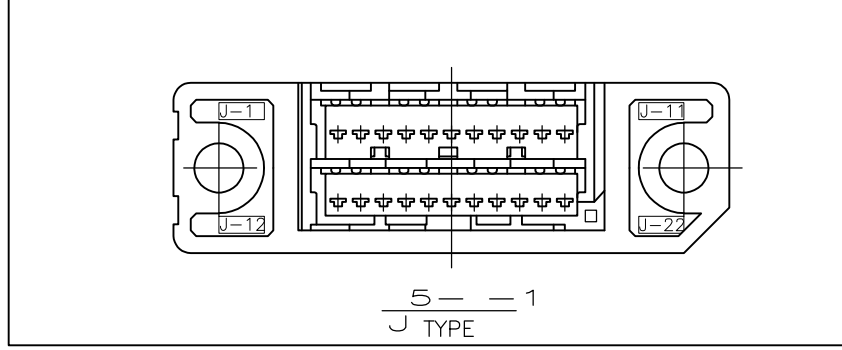
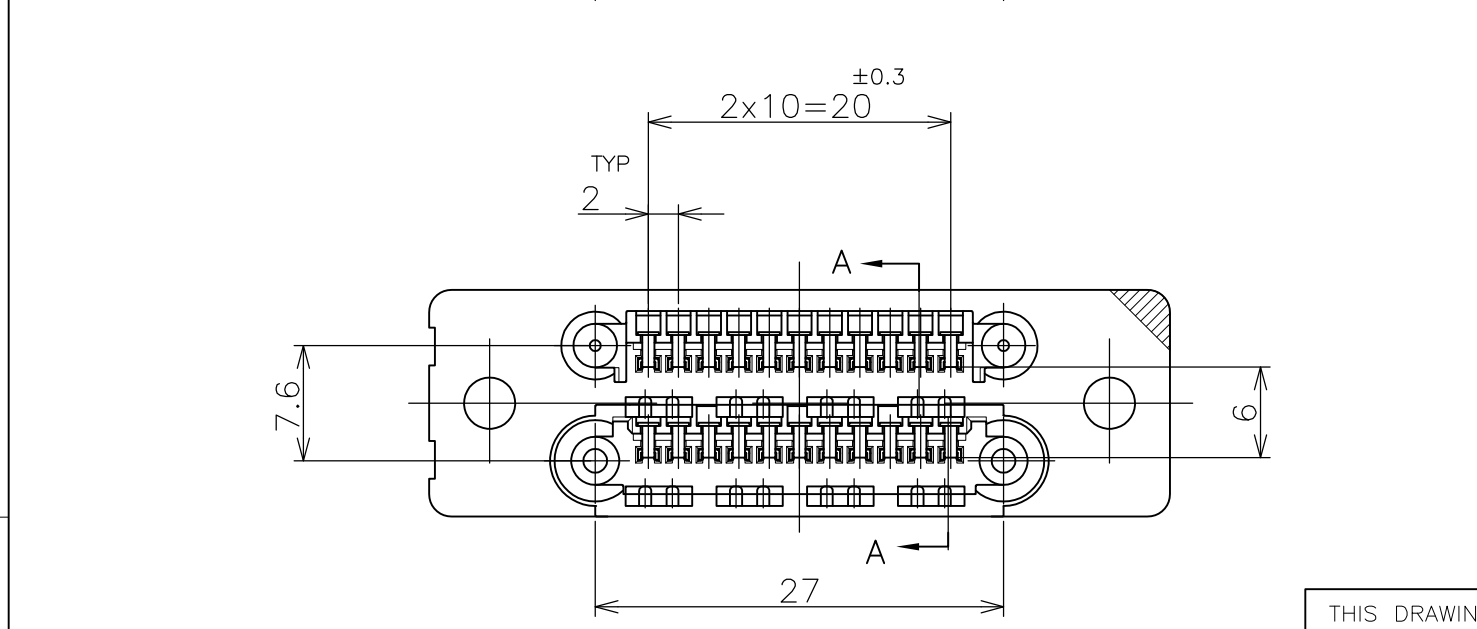
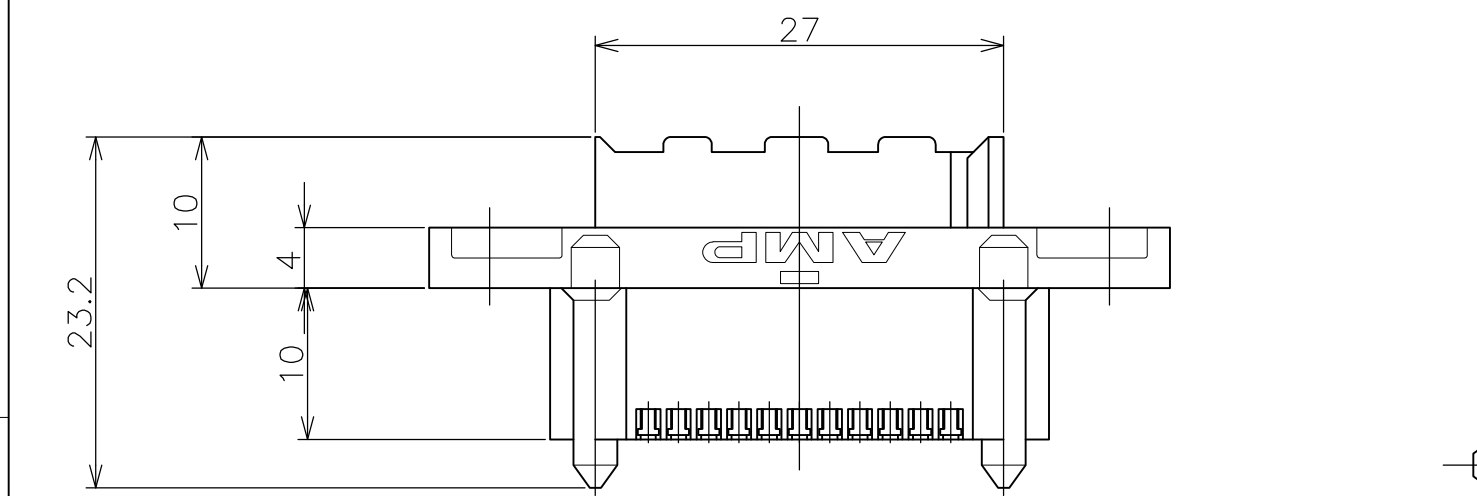
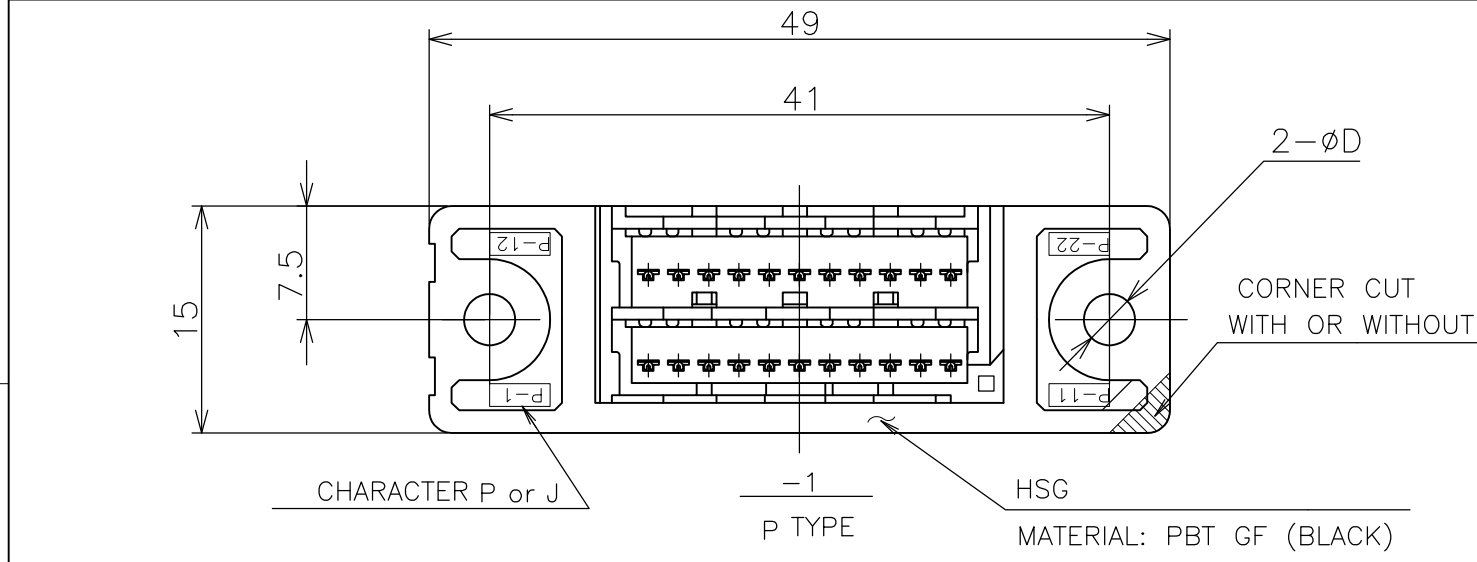


THIS DRAWING IS UNPUBLISHED. RELEASED FOR PUBLICATION
 © COPYRIGHT - By - ALL RIGHTS RESERVED.

LOC	DIST	REVISIONS					
ES	00	P	LTR	DESCRIPTION	DATE	DWN	APVD
		B		REVISED ECO-13-006225	11APR2013	I.T	S.Y



TOLERANCE

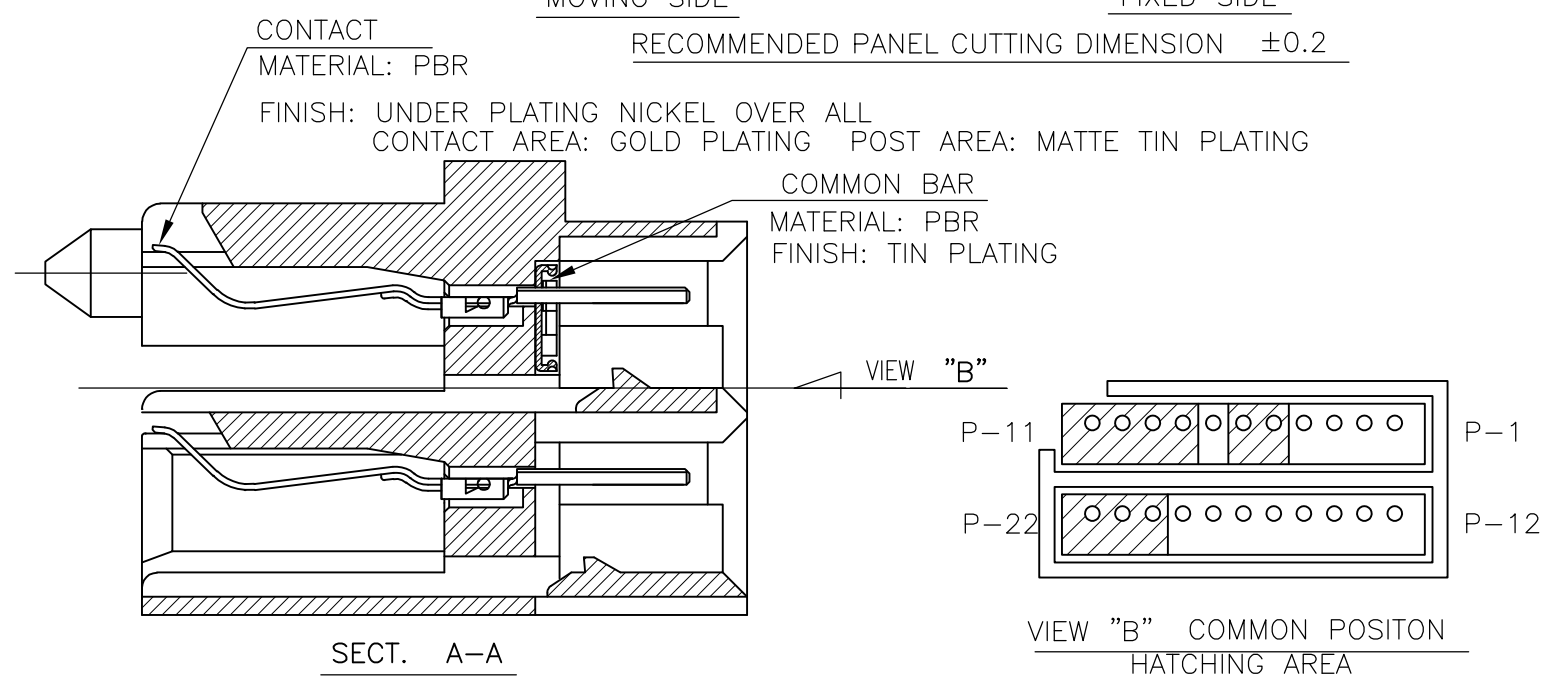
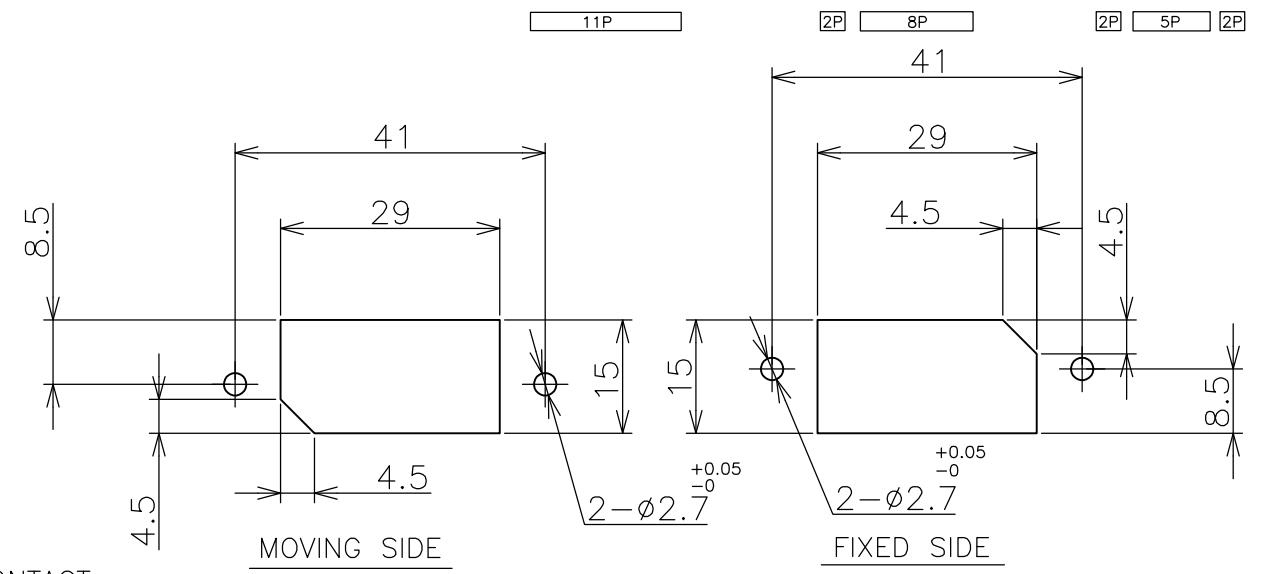
10 ≥ *	±0.2
30 ≥ * > 10	±0.25
100 ≥ * > 30	±0.3
ANGLE	±3°

THIS DRAWING IS A CONTROLLED DOCUMENT.

DIMENSIONS:	TOLERANCES UNLESS OTHERWISE SPECIFIED:
mm	0 PLC ± -
	1 PLC ± -
MATERIAL	2 PLC ± -
SEE SHEET	3 PLC ± -
	4 PLC ± -
	ANGLES ± -
	FINISH ± -
	SEE SHEET

NOTES:

- APPLIED USED TAPPING SCREW P/N: 176848-1
- MATING CONN. OF POST SIDE: AMP CT CONN. HAS FOLLOWING PATTERN



— —	CUT	4.4	J	5-292178-1
— —	— —	3.4	P	292178-1
COMMON TAB	CORNER CUT	D	HSG TYPE	P/N

THIS DRAWING IS A CONTROLLED DOCUMENT.

DWN	J. JIANG	05FEB03		TE Connectivity	
CHK	S. YAO	05FEB03		NAME	
APVD	T. SASAKI	05FEB03		22P MINI-DRAWER CONNECTOR	
PRODUCT SPEC	108-60021			RESTRICTED TO	
APPLICATION SPEC	WEIGHT		SIZE	CAGE CODE	DRAWING NO
CUSTOMER DRAWING	SCALE		A3	00779	C-292178
	SHEET		1 OF 1		REV B

单击下面可查看定价，库存，交付和生命周期等信息

[>>TE Connectivity\(泰科\)](#)