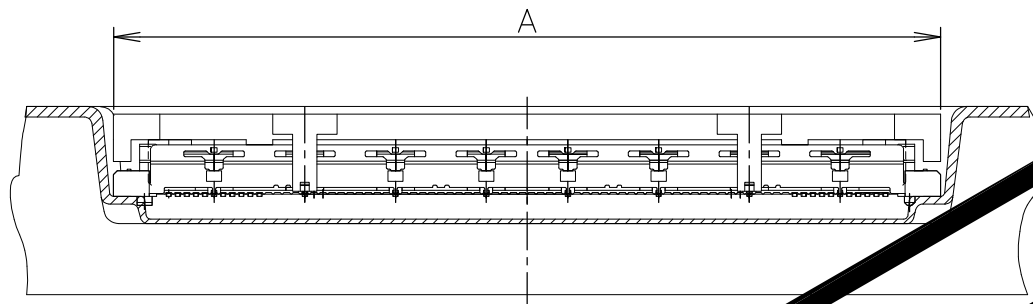
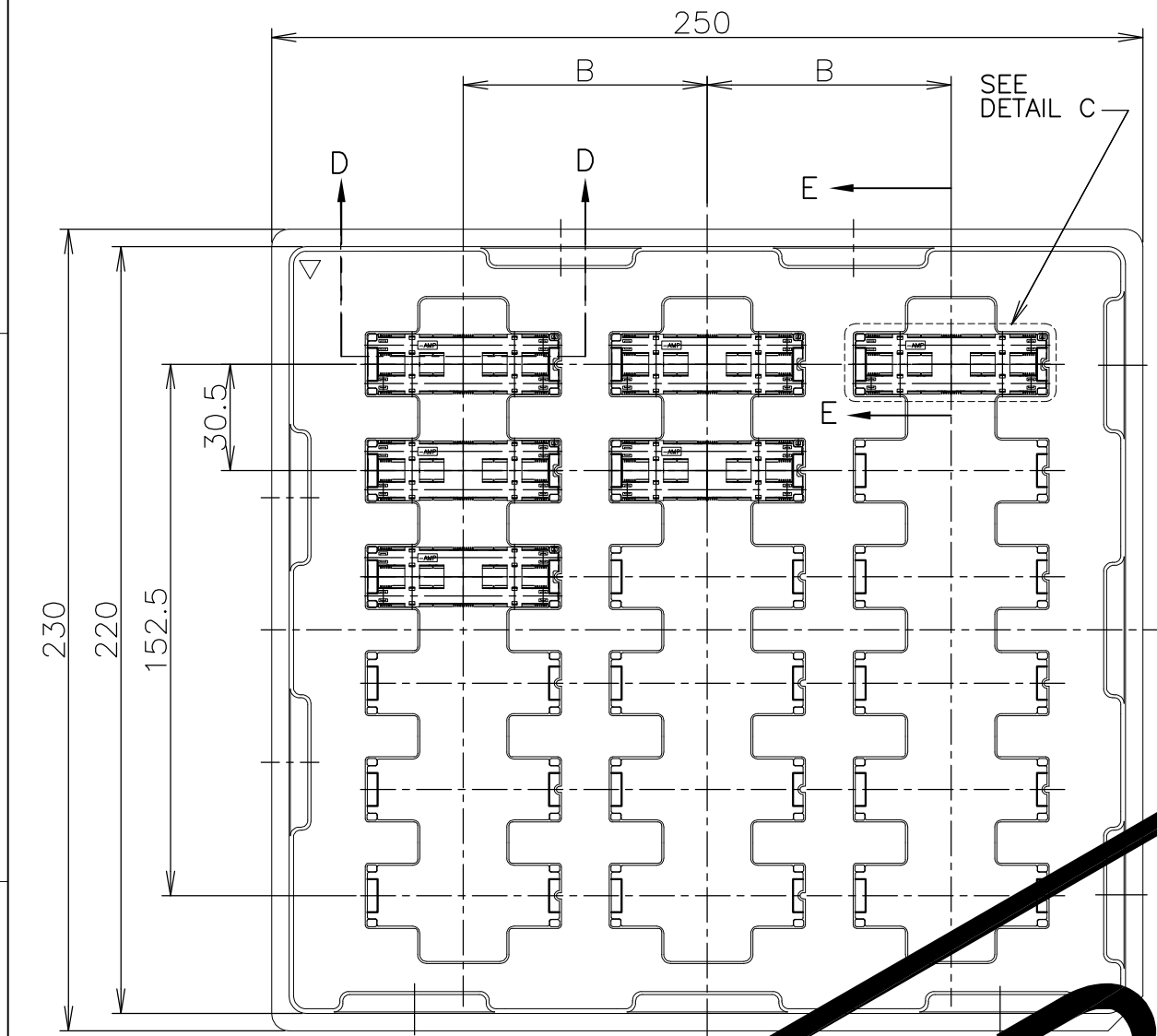
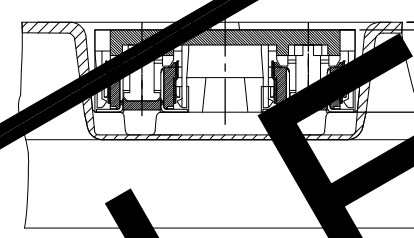


THIS DRAWING IS UNPUBLISHED. RELEASED FOR PUBLICATION NOV, 1998.  
 © COPYRIGHT 1998 BY TYCO ELECTRONICS CORPORATION. ALL RIGHTS RESERVED.

LOC	DIST	REVISIONS					
J		P	LTR	DESCRIPTION	DATE	DWN	APVD
		A	REVISED	ECR-08-000339	01FEB08	T.T	T.F
		B	REVISED	PER ECO-17-002393	11JULY17	B.J	S.Y

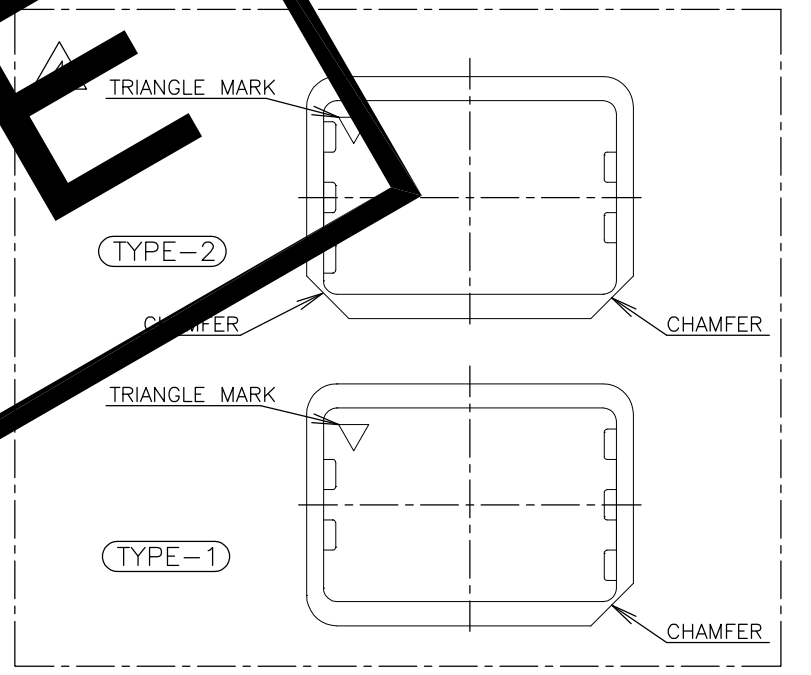


D-D (SCALE 2:1)

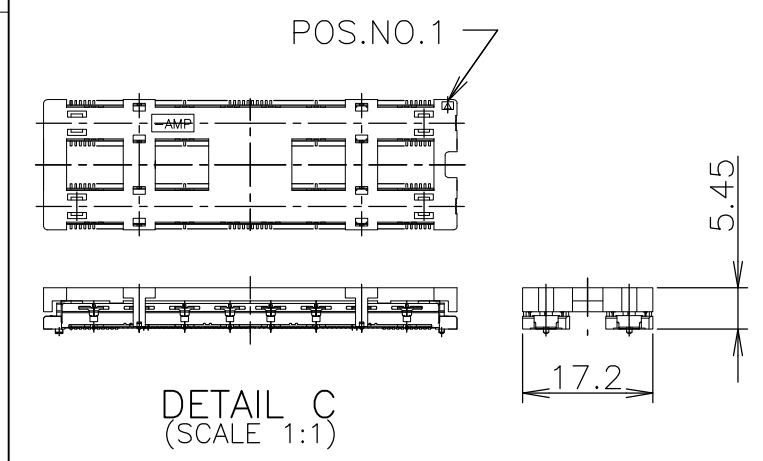
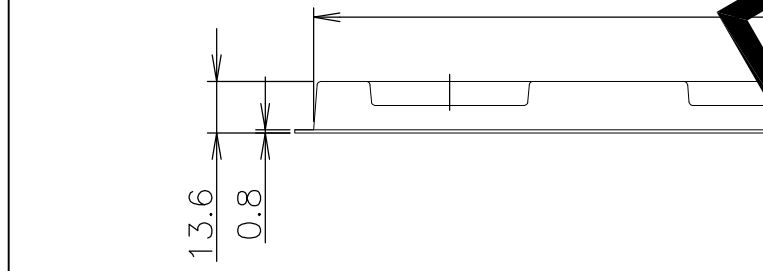


E-E (SCALE 2:1)

4. ONLY TYPE-1 AND TYPE-2 MUST BE PILED UP BY TURNS. (REFER TO PACKING SPECIFICATIONS)



OBSOLETE



SEALANT	TOOLING STATUS	ROW	QTY	B	A	POS.	TRAY P/N	PART NO.
AVAILABLE		3	18	70	54.7	320	5-912069-4	6-6318151-1
NOT AVAILABLE		↑	↑	↑	48.7	280	5- -3	6- -0
NOT AVAILABLE		↓	↓	↓	42.7	240	5- -2	5- -9
NOT AVAILABLE		3	18	70	36.7	200	5- -1	5- -8
NON SEALANT		3	18	70	54.7	320	5- -4	1- -1
NON SEALANT		↑	↑	↑	48.7	280	5- -3	1- -0
NON SEALANT		↓	↓	↓	42.7	240	5- -2	- -9
NON SEALANT		3	18	70	36.7	200	5-912069-1	6318151-8

THIS DRAWING IS A CONTROLLED DOCUMENT.

DWN HAWKING HE 13DEC04  
 CHK STEVEN YAO 13DEC04  
 APVD I.ENOMOTO 13DEC04

**Tyco Electronics** Tyco Electronics Corporation  
 Kawasaki, Japan

NAME 姓名  
 I.ENOMOTO

PRODUCT SPEC 製品規格  
 108-60047

APPLICATION SPEC 取付適用規格  
 114-5255

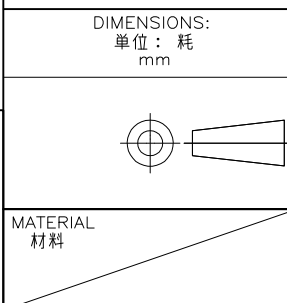
WEIGHT

SIZE A3 CAGE CODE 00779 DRAWING NO. 番号 G-6318151 RESTRICTED TO

CUSTOMER DRAWING SCALE 尺度 1:2 SHEET 1 OF 6 REV B

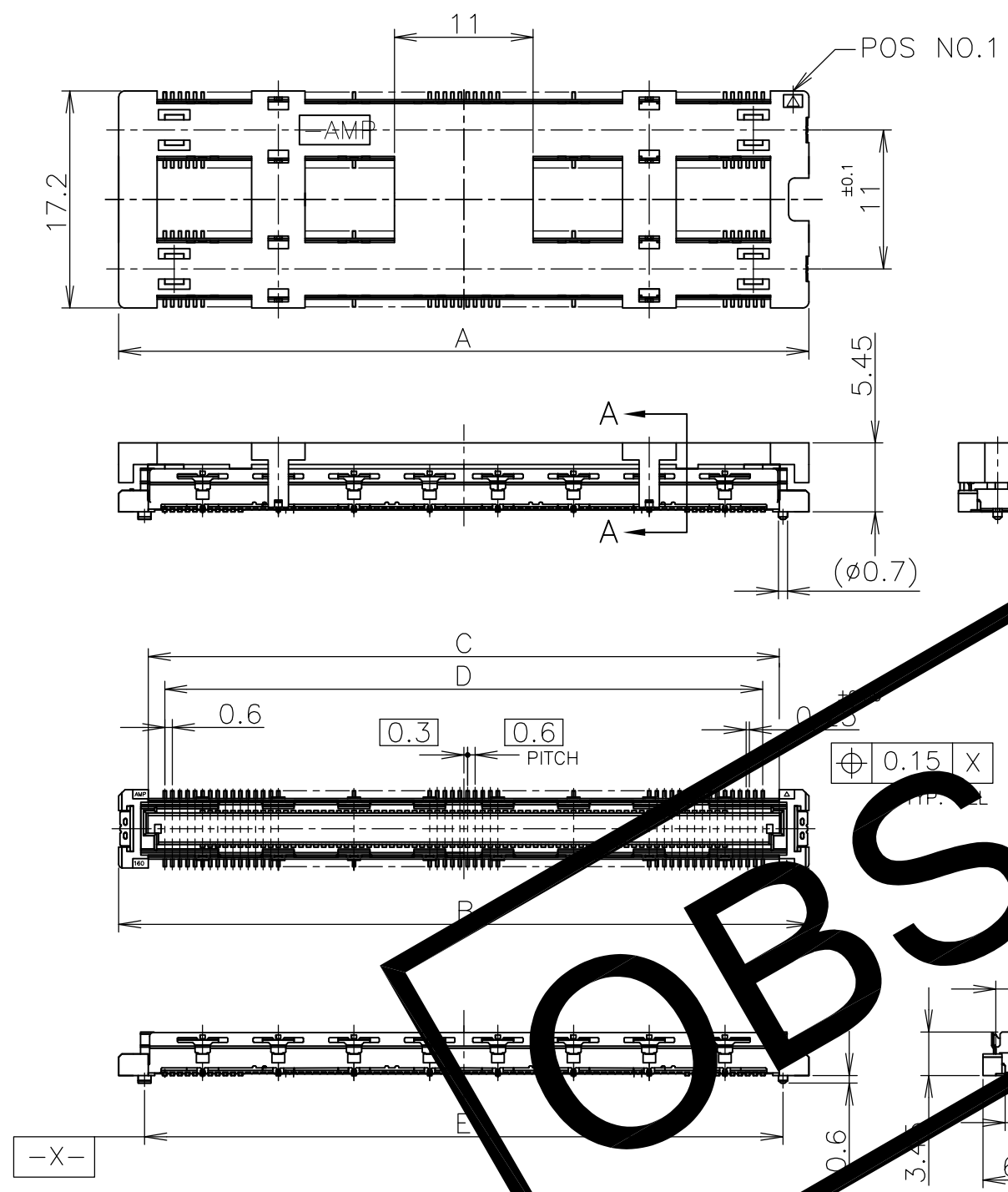
GENERAL TOLERANCE 一般公差

10 ≥	±0.2
30 ≥	>10: ±0.25
100 ≥	>30: ±0.3
ANGLES: ±3°	



THIS DRAWING IS UNPUBLISHED. RELEASED FOR PUBLICATION NOV, 1998.  
 © COPYRIGHT 1998 BY TYCO ELECTRONICS CORPORATION. ALL RIGHTS RESERVED.

LOC	DIST	REVISIONS		
J		変更	DATE	DWN
P	LTR	DESCRIPTION		APVD
		SEE SHEET 1	-	-



OBSOLETE

- ① MATERIAL ; ① HOUSING : HIGH TEMP THERMO PLASTIC UL94V-0 (COLOR : NATURAL)
- ② CONTACT : COPPER ALLOY
- ③ CAP HOUSING : HIGH TEMP THERMO PLASTIC UL94V-0 (COLOR : BLACK)
- △ FINISH ; UNDER PL Ni 0.0013mm MIN ALL OVER. CONTACT AREA 0.0002 MIN Au PL. SOLDERING AREA 0.001 MIN TIN PL.
- ⊓ THIS POSITION IS GROUND CIRCUIT.

AVAILABLE	51.8	50.6	47.4	50	54.7	54.7	320	1-	-1
NOT AVAILABLE	45.8	44.6	41.4	44	48.7	48.7	280	1-	-0
NOT AVAILABLE	39.8	38.6	35.4	38	42.7	42.7	240		-9
NOT AVAILABLE	33.8	32.6	29.4	32	36.7	36.7	200		1318153-8
TOOLING STATUS	F	E	D	C	B	A	POS		CAP P/N

GENERAL TOLERANCE  
 一般公差  
 10 ≥ ±0.2  
 30 ≥ >10: ±0.25  
 100 ≥ >30: ±0.3  
 ANGLES: ±3°

THIS DRAWING IS A CONTROLLED DOCUMENT.

DIMENSIONS: 単位: 耗 mm	TOLERANCES UNLESS OTHERWISE SPECIFIED: 一般公差	DWN	Tyco Electronics Corporation Kawasaki, Japan	
0 PLC ±-	1 PLC ±-	CHK	NAME 名称	
2 PLC ±-	3 PLC ±-	APVD	SOFT TRAY ASSY FH 0.6BTB CONNECTOR PLUG 4H W/G-PLATE 2ROW TYPE	
4 PLC ±-	ANGLES ±-	PRODUCT SPEC 製品規格	SIZE	CAGE CODE
FINISH 仕上		APPLICATION SPEC 取付適用規格	A3	00779
		WEIGHT	DRAWING NO 番号	
			G-6318151	
			RESTRICTED TO	
		CUSTOMER DRAWING	SCALE 尺度	SHEET
			2:1	2 OF 6
				REV B

THIS DRAWING IS UNPUBLISHED. RELEASED FOR PUBLICATION NOV, 1998.  
 © COPYRIGHT 1998 BY TYCO ELECTRONICS CORPORATION. ALL RIGHTS RESERVED.

LOC	DIST	REVISIONS		
J		変更	DATE	DWN
P	LTR	DESCRIPTION		APVD
		SEE SHEET 1	-	-



REFERENCE P.C.BOARD LAYOUT

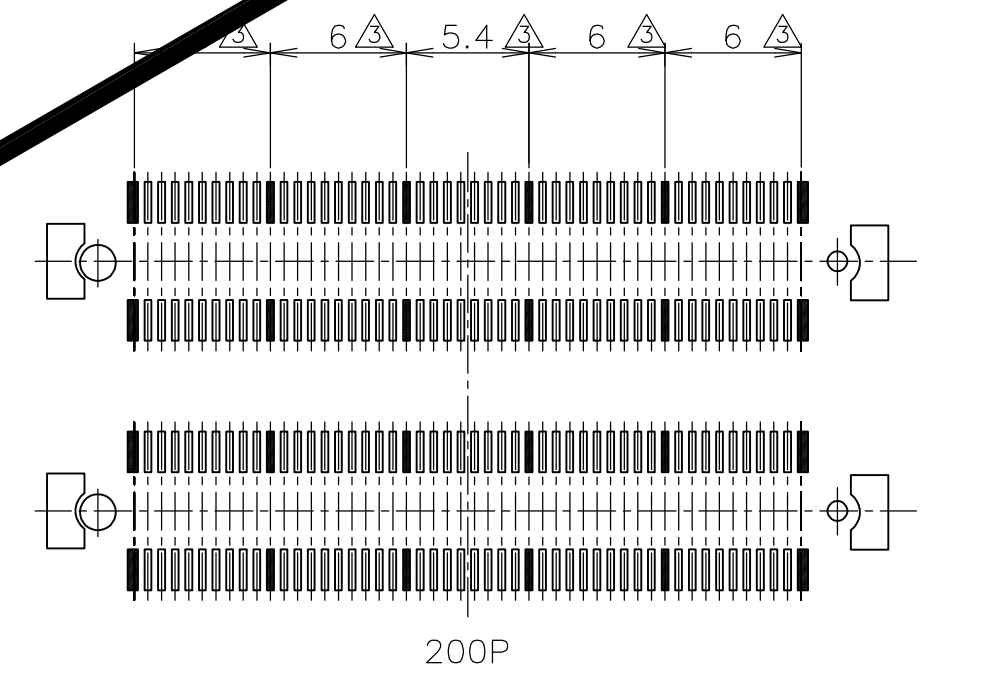
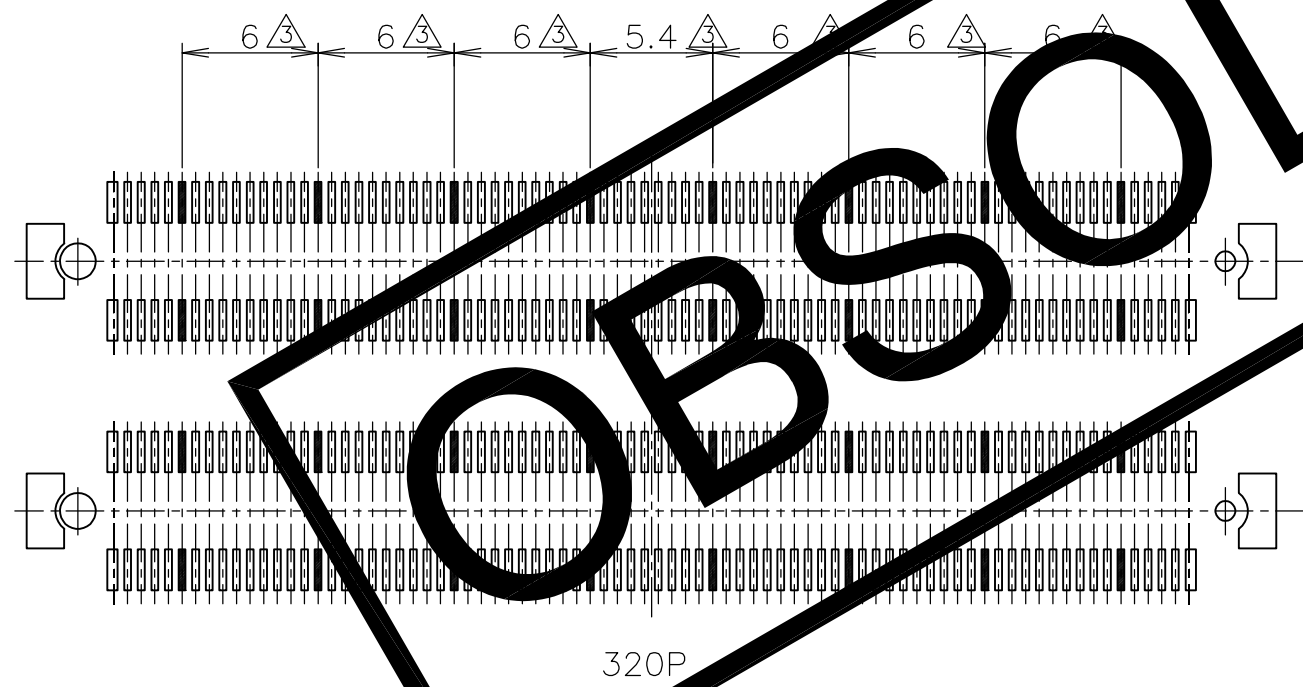
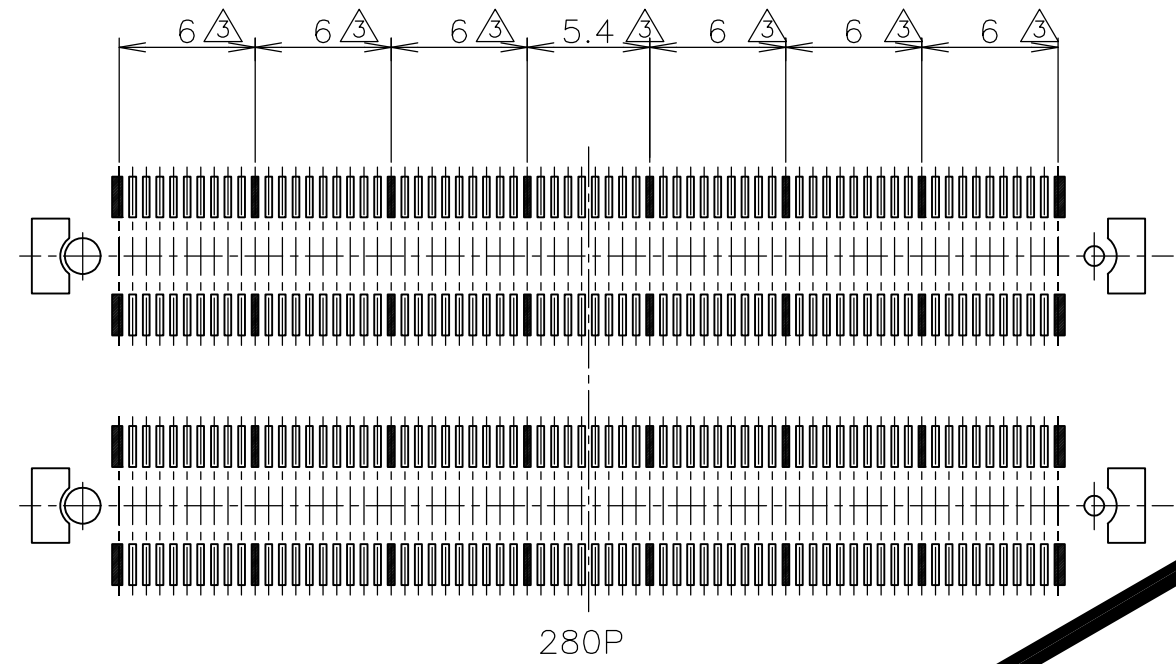
GENERAL TOLERANCE  
一般公差

10 ≥	±0.2
30 ≥	>10: ±0.25
100 ≥	>30: ±0.3
ANGLES: ±3°	

THIS DRAWING IS A CONTROLLED DOCUMENT.		DWN	Tyco Electronics Corporation Kawasaki, Japan													
DIMENSIONS: 単位: 耗 mm	TOLERANCES UNLESS OTHERWISE SPECIFIED: 一般公差	CHK	NAME 名称													
	<table border="1"> <tr><td>0 PLC</td><td>± -</td></tr> <tr><td>1 PLC</td><td>± -</td></tr> <tr><td>2 PLC</td><td>± -</td></tr> <tr><td>3 PLC</td><td>± -</td></tr> <tr><td>4 PLC</td><td>± -</td></tr> <tr><td>ANGLES</td><td>± -</td></tr> </table>	0 PLC	± -	1 PLC	± -	2 PLC	± -	3 PLC	± -	4 PLC	± -	ANGLES	± -	APVD	SOFT TRAY ASSY FH 0.6BTB CONNECTOR PLUG 4H W/G-PLATE 2ROW TYPE	
		0 PLC	± -													
1 PLC	± -															
2 PLC	± -															
3 PLC	± -															
4 PLC	± -															
ANGLES	± -															
MATERIAL 材料	FINISH 仕上	PRODUCT SPEC 製品規格	SIZE	CAGE CODE												
		APPLICATION SPEC 取付適用規格	A3	00779												
		WEIGHT	DRAWING NO 番号	RESTRICTED TO												
		CUSTOMER DRAWING	G-6318151													
			SCALE 尺度	SHEET												
			4:1	3 OF 6												
				REV B												

THIS DRAWING IS UNPUBLISHED. RELEASED FOR PUBLICATION NOV, 1998.  
 © COPYRIGHT 1998 BY TYCO ELECTRONICS CORPORATION. ALL RIGHTS RESERVED.

LOC	DIST	REVISIONS 変更			
P	LTR	DESCRIPTION	DATE	DWN	APVD
		SEE SHEET 1	-	-	-



**OBSOLETE**

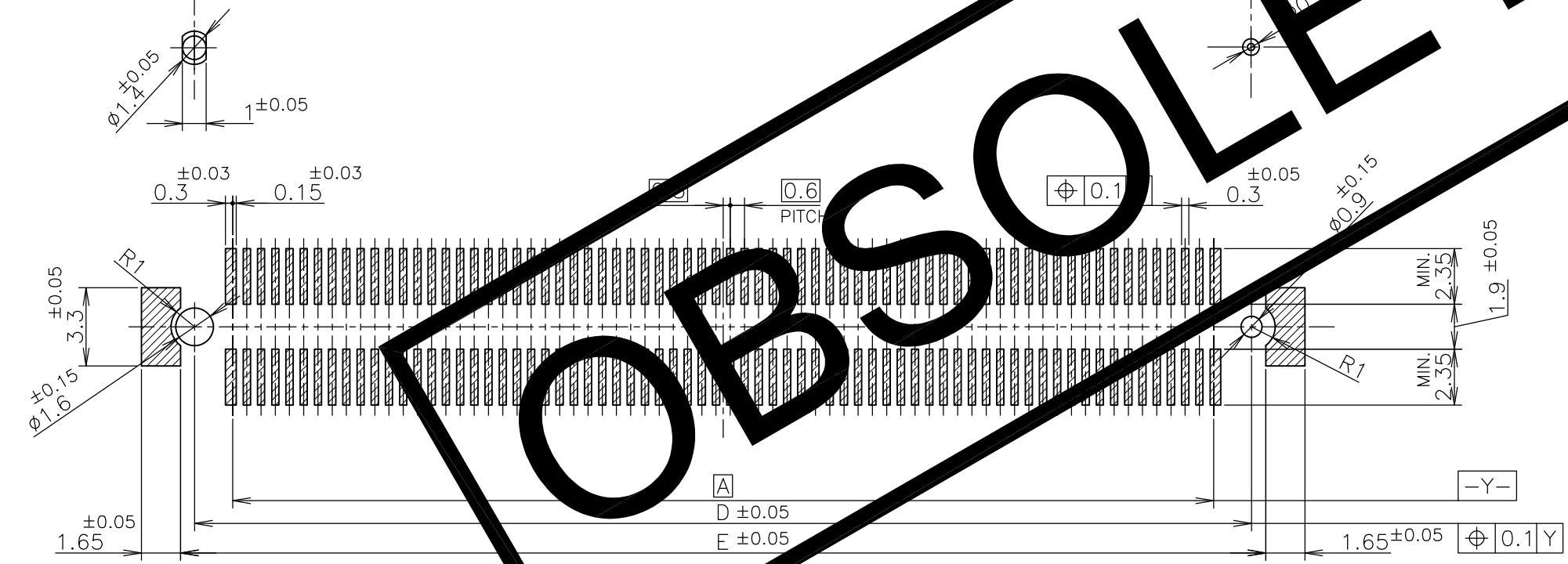
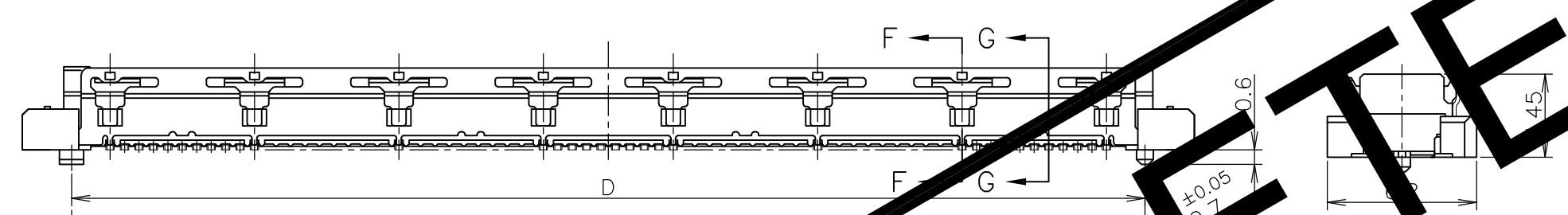
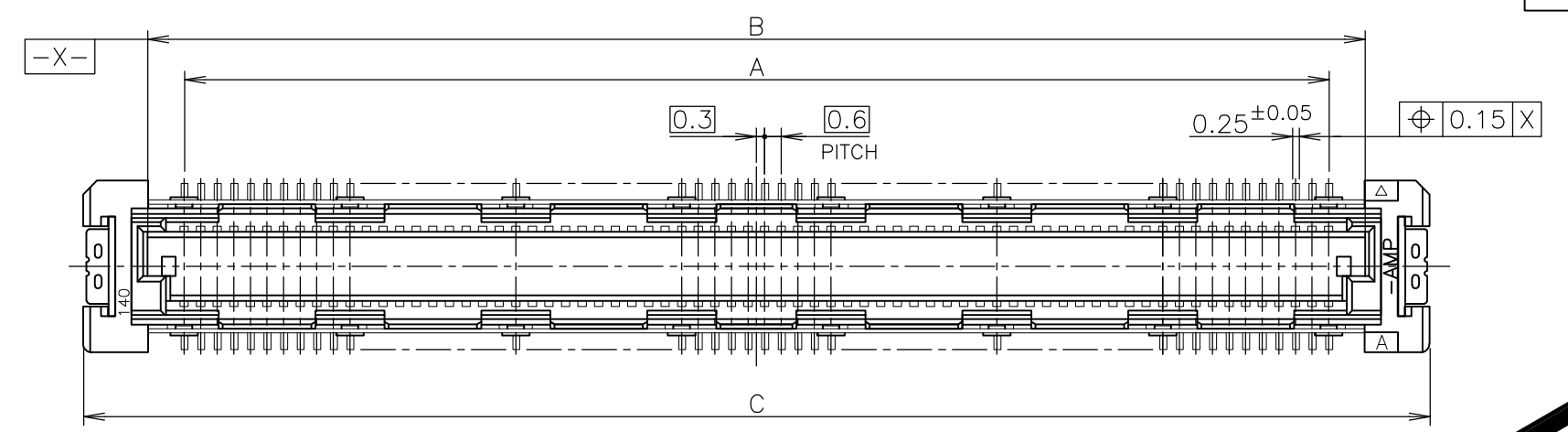
GENERAL TOLERANCE  
一般公差

10 ≥ ±0.2  
 30 ≥ >10: ±0.25  
 100 ≥ >30: ±0.3  
 ANGLES: ±3°

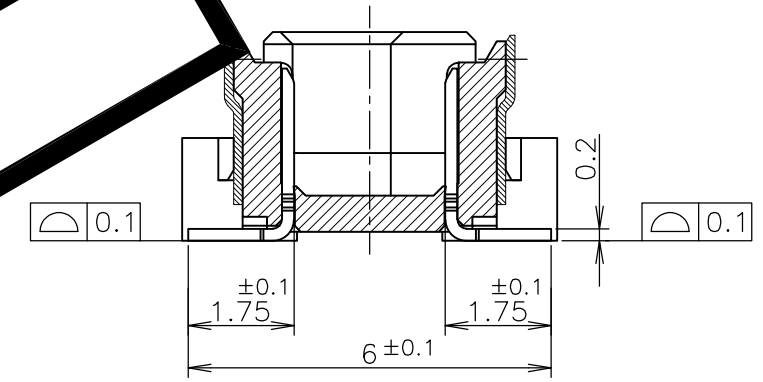
THIS DRAWING IS A CONTROLLED DOCUMENT.		DWN	Tyco Electronics Corporation Kawasaki, Japan		
DIMENSIONS: 单位: 耗 mm	TOLERANCES UNLESS OTHERWISE SPECIFIED: 一般公差	CHK	NAME 名称		
	0 PLC ± -	APVD	SOFT TRAY ASSY		
	1 PLC ± -	PRODUCT SPEC 製品規格	FH 0.6BTB CONNECTOR		
MATERIAL 材料	2 PLC ± -	APPLICATION SPEC 取付適用規格	SIZE	CAGE CODE	DRAWING NO 番号
	3 PLC ± -	WEIGHT	A3	00779	G-6318151
	4 PLC ± -	CUSTOMER DRAWING		RESTRICTED TO	
	ANGLES ± -	SCALE 尺度 3:1		SHEET 4 OF 6	REV B

THIS DRAWING IS UNPUBLISHED. RELEASED FOR PUBLICATION NOV, 1998.  
 © COPYRIGHT 1998 BY TYCO ELECTRONICS CORPORATION. ALL RIGHTS RESERVED.

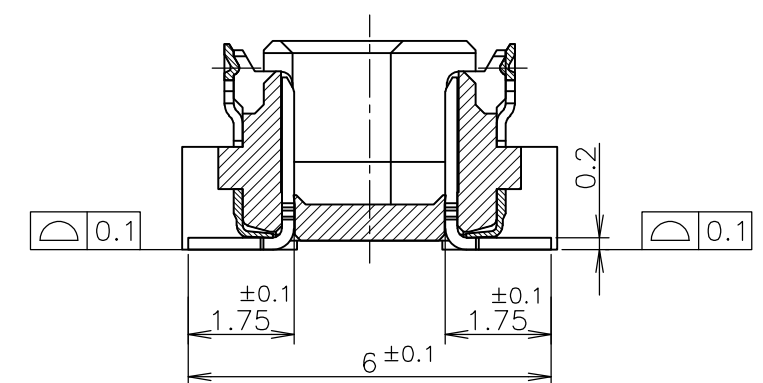
LOC	DIST	REVISIONS		
J		变更	DATE	DWN
P	LTR	DESCRIPTION		APVD
		SEE SHEET 1		



REFERENCE P.C. BOARD LAYOUT



G-G  
(SIGNAL POSITION)  
(SCALE 8:1)



F-F  
(GROUND POSITION)  
(SCALE 8:1)

AVAILABLE	51.8	50.6	54.7	50	47.4	160
AVAILABLE	45.8	44.6	48.7	44	41.4	140
NOT AVAILABLE	39.8	38.6	42.7	38	35.4	120
AVAILABLE	33.8	32.6	36.7	32	29.4	100
TOOLING STATUS	E	D	C	B	A	POS

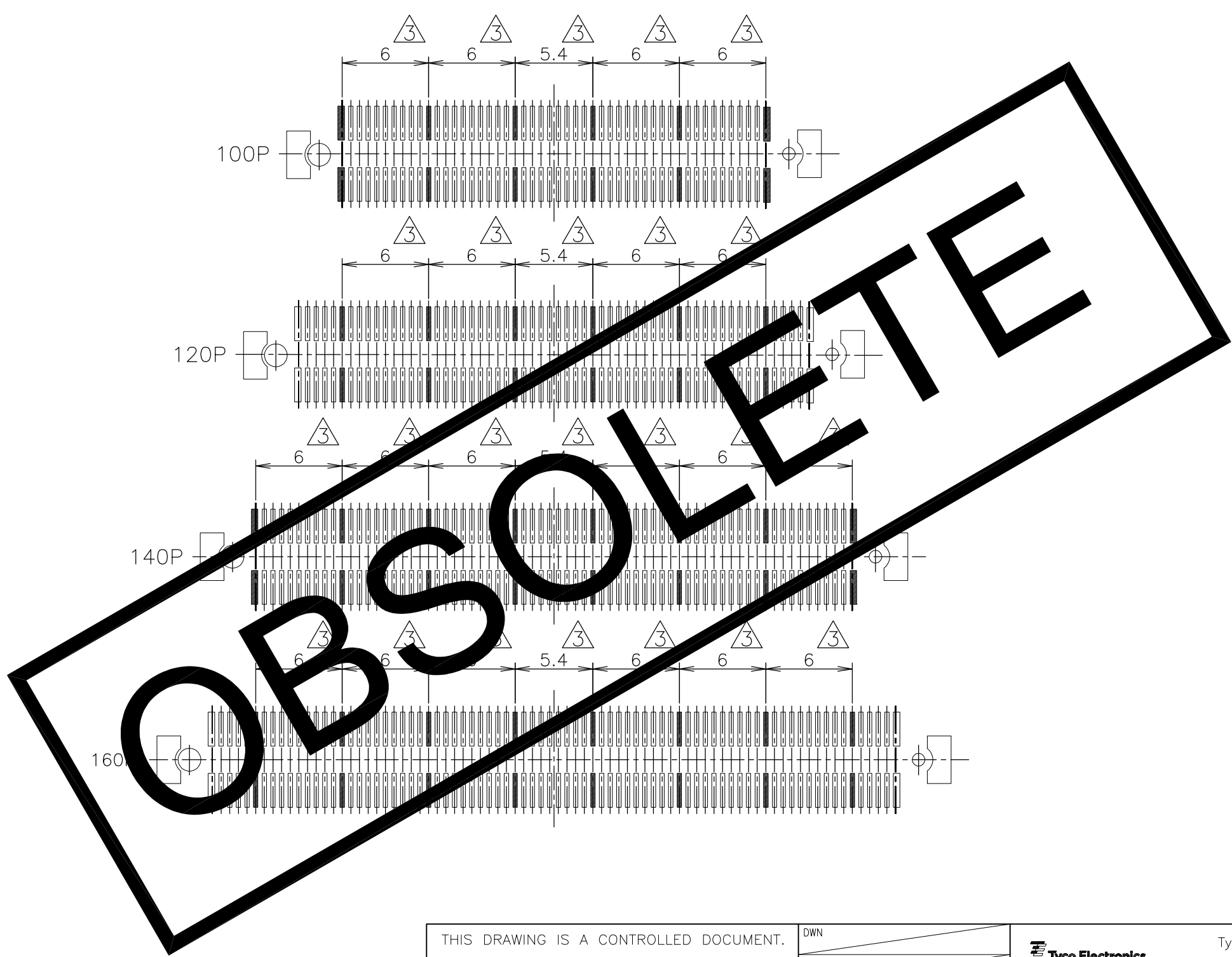
THIS DRAWING IS A CONTROLLED DOCUMENT.		DWN	Tyco Electronics Corporation Kawasaki, Japan			
DIMENSIONS: 单位: 耗 mm		CHK	NAME 名称			
TOLERANCES UNLESS OTHERWISE SPECIFIED: 一般公差		APVD	SOFT TRAY ASSY			
0 PLC ± 0.3		PRODUCT SPEC 製品規格	FH 0.6BTB CONNECTOR			
1 PLC ± 0.3		APPLICATION SPEC 取付適用規格	PLUG 4H W/G-PLATE 2ROW TYPE			
2 PLC ± 0.3		WEIGHT	SIZE	CAGE CODE	DRAWING NO 番号	RESTRICTED TO
3 PLC ± 0.3			A3	00779	G-6318151	
4 PLC ± 0.3			CUSTOMER DRAWING			
ANGLES ± 3'			SCALE 尺度	SHEET	REV	
FINISH 仕上			4:1	5 OF 6	B	



THIS DRAWING IS UNPUBLISHED.      RELEASED FOR PUBLICATION      NOV, 1998.

© COPYRIGHT 1998 BY TYCO ELECTRONICS CORPORATION.      ALL RIGHTS RESERVED.

LOC J	DIST	REVISIONS 変更		
P	LTR	DESCRIPTION	DATE	DWN
		SEE SHEET 1	-	-
				APVD



THIS DRAWING IS A CONTROLLED DOCUMENT.		DWN	Tyco Electronics Corporation Kawasaki, Japan		
DIMENSIONS: 単位: 耗 mm		CHK	NAME 名称		
TOLERANCES UNLESS OTHERWISE SPECIFIED: 一般公差		APVD	SOFT TRAY ASSY FH 0.6BTB CONNECTOR PLUG 4H W/G-PLATE 2ROW TYPE		
0 PLC ± 0.3 1 PLC ± 0.3 2 PLC ± 0.3 3 PLC ± 0.3 4 PLC ± 0.3 ANGLES ± 3'		PRODUCT SPEC 製品規格	SIZE	CAGE CODE	DRAWING NO 番号
MATERIAL 材料		APPLICATION SPEC 取付適用規格	A3	00779	G-6318151
FINISH 仕上		WEIGHT	RESTRICTED TO		
CUSTOMER DRAWING			SCALE 尺度 3:1	SHEET 6 OF 6	REV B

单击下面可查看定价，库存，交付和生命周期等信息

[>>TE Connectivity\(泰科\)](#)