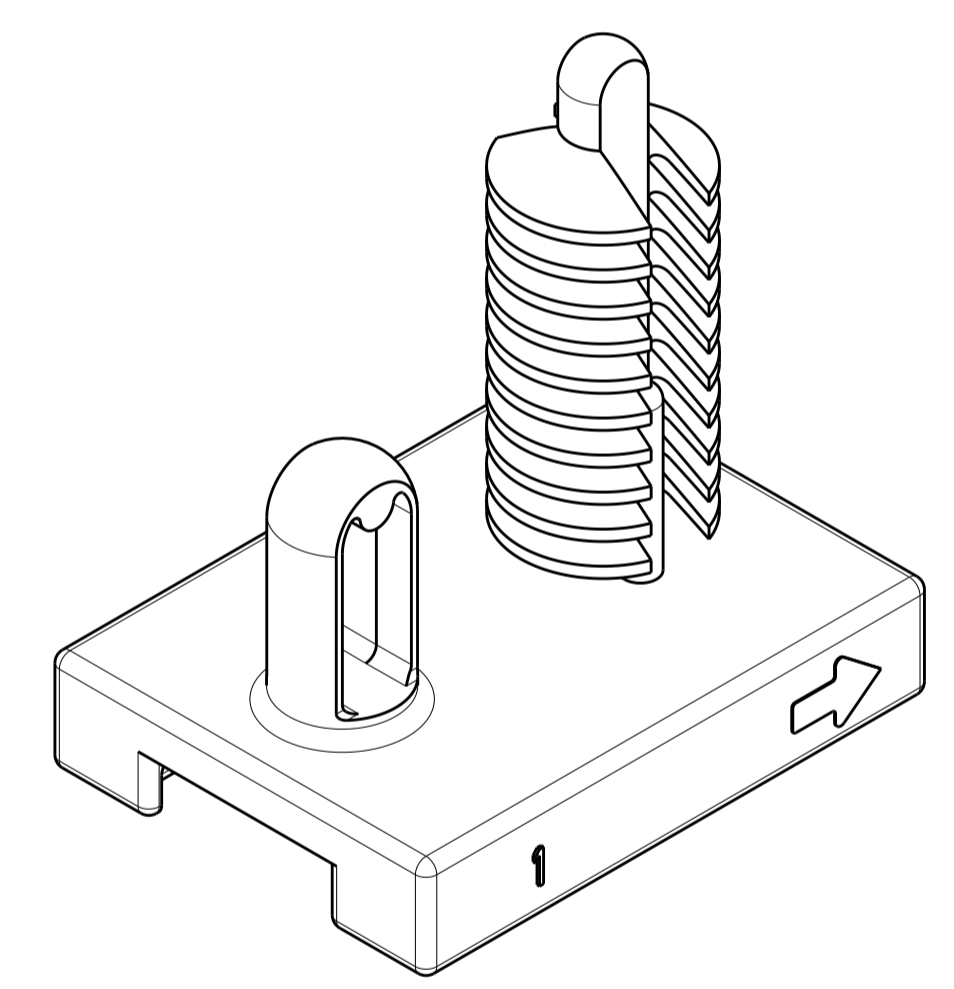
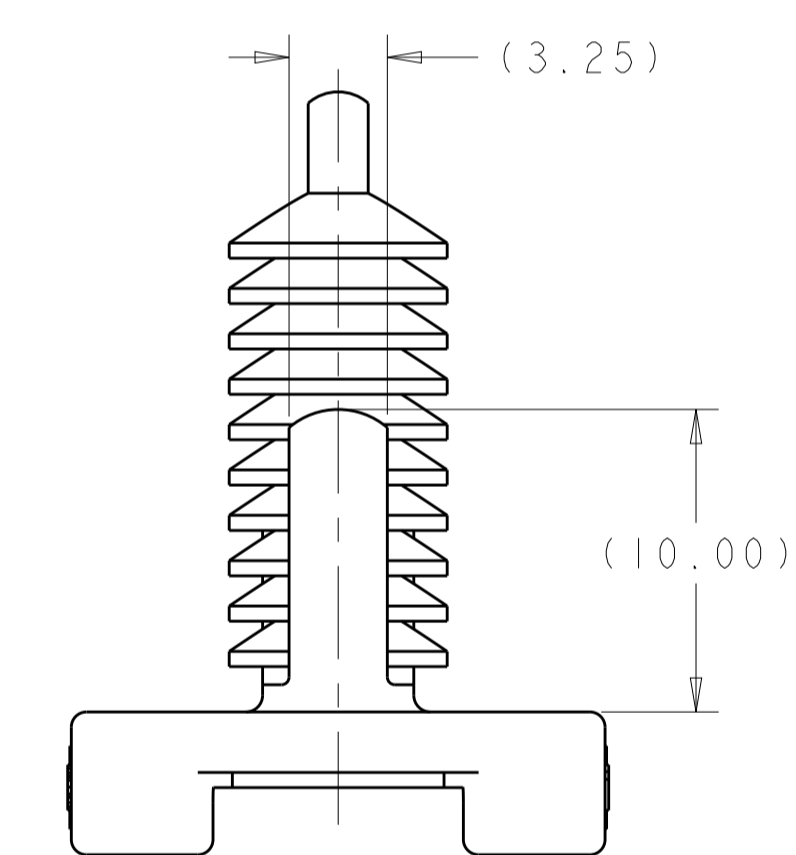
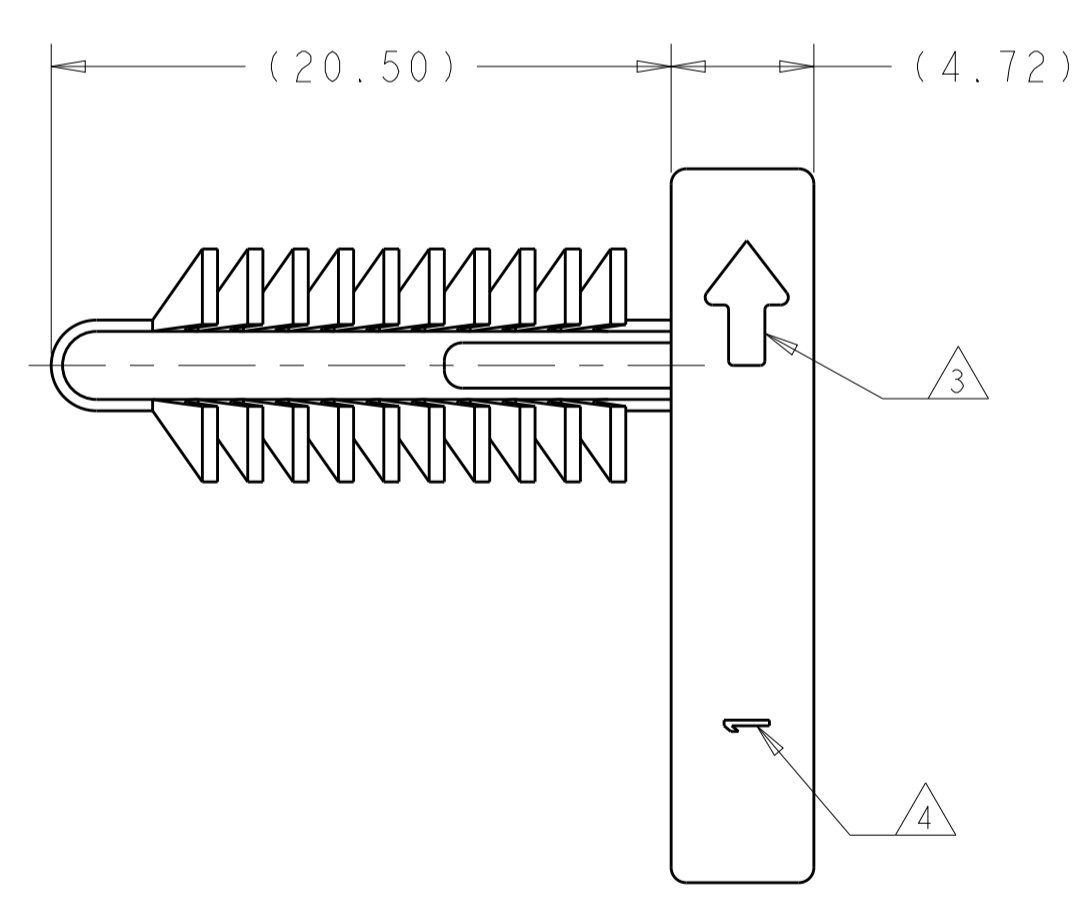
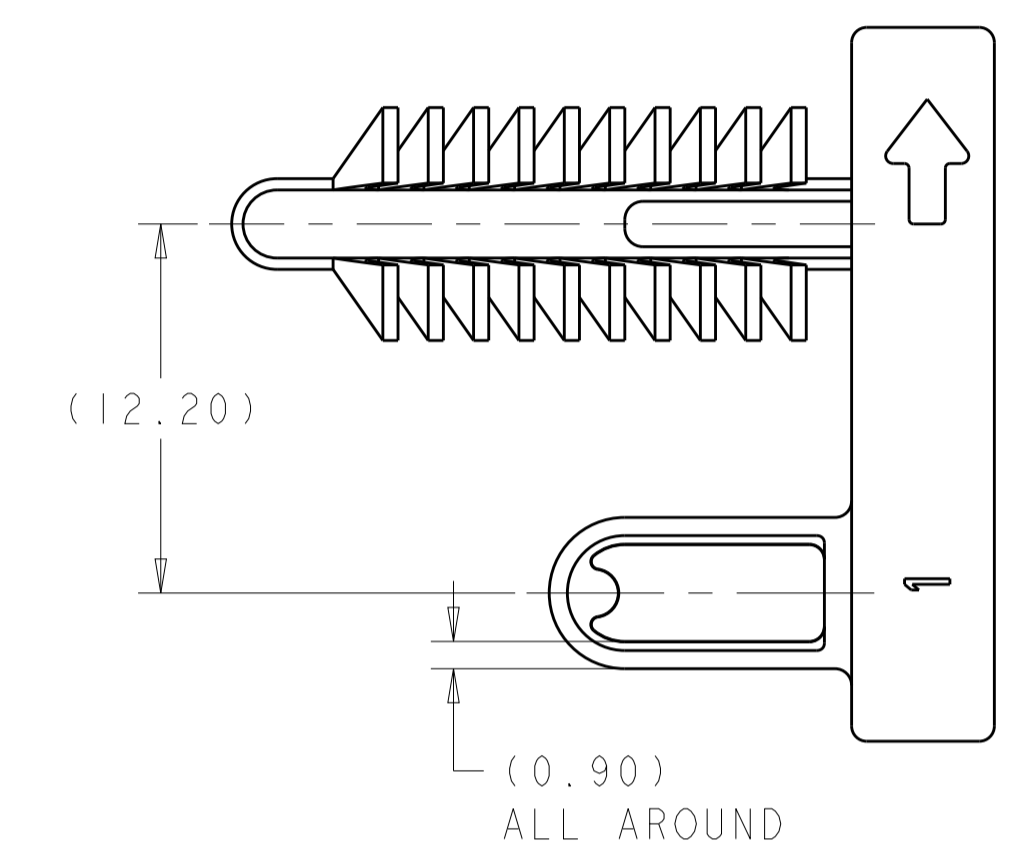
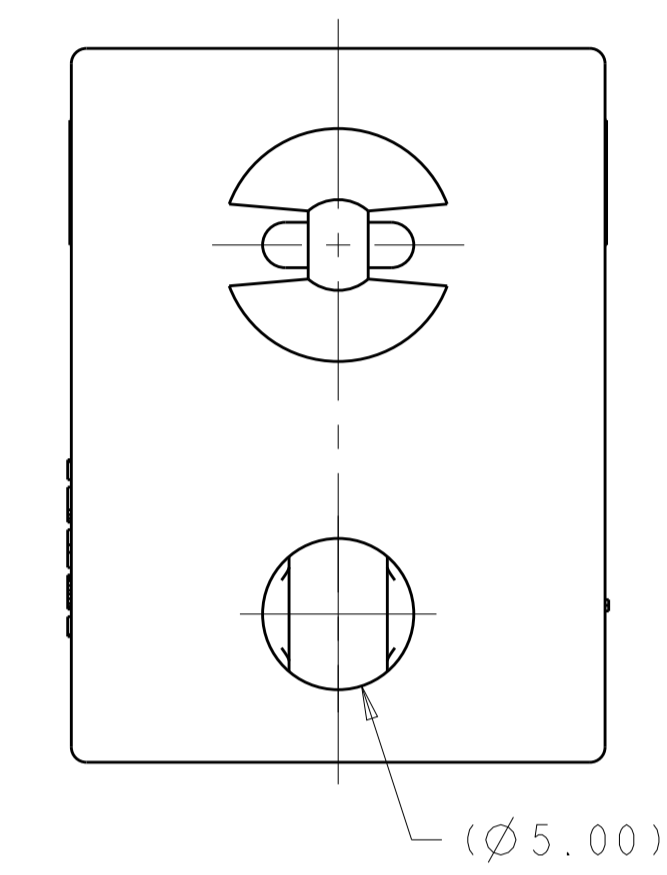
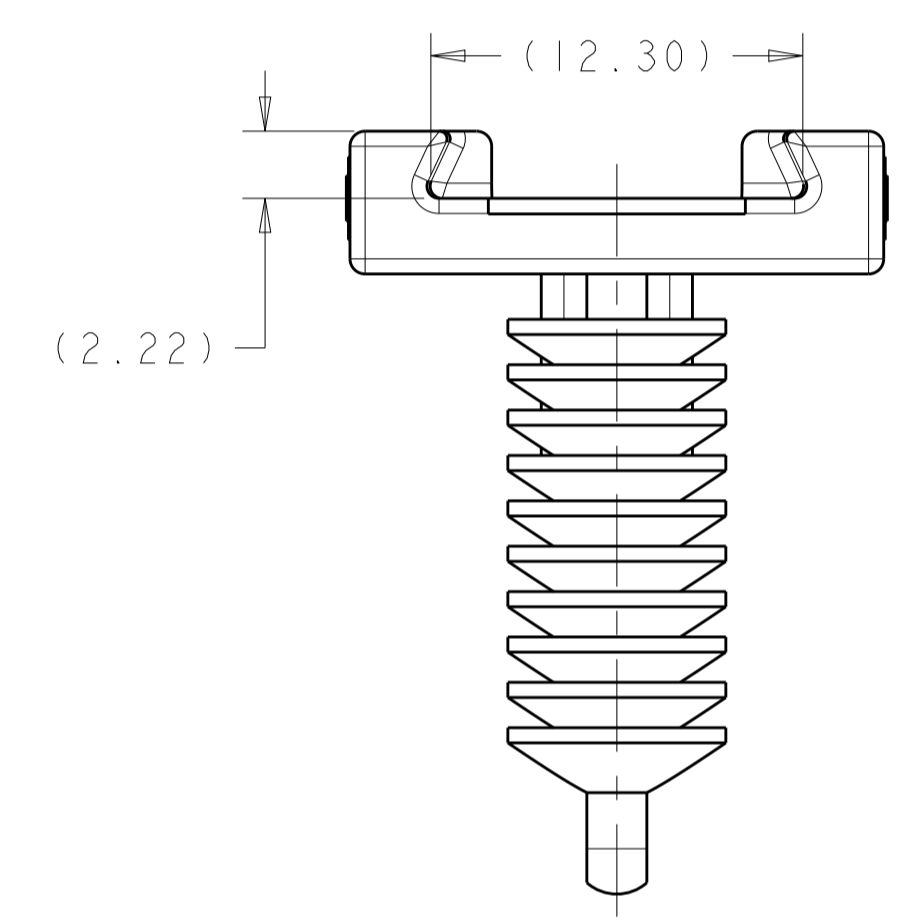


RECOMMENDED MOUNTING PARAMETERS 1924487-1 AND 1924487-2 ONLY

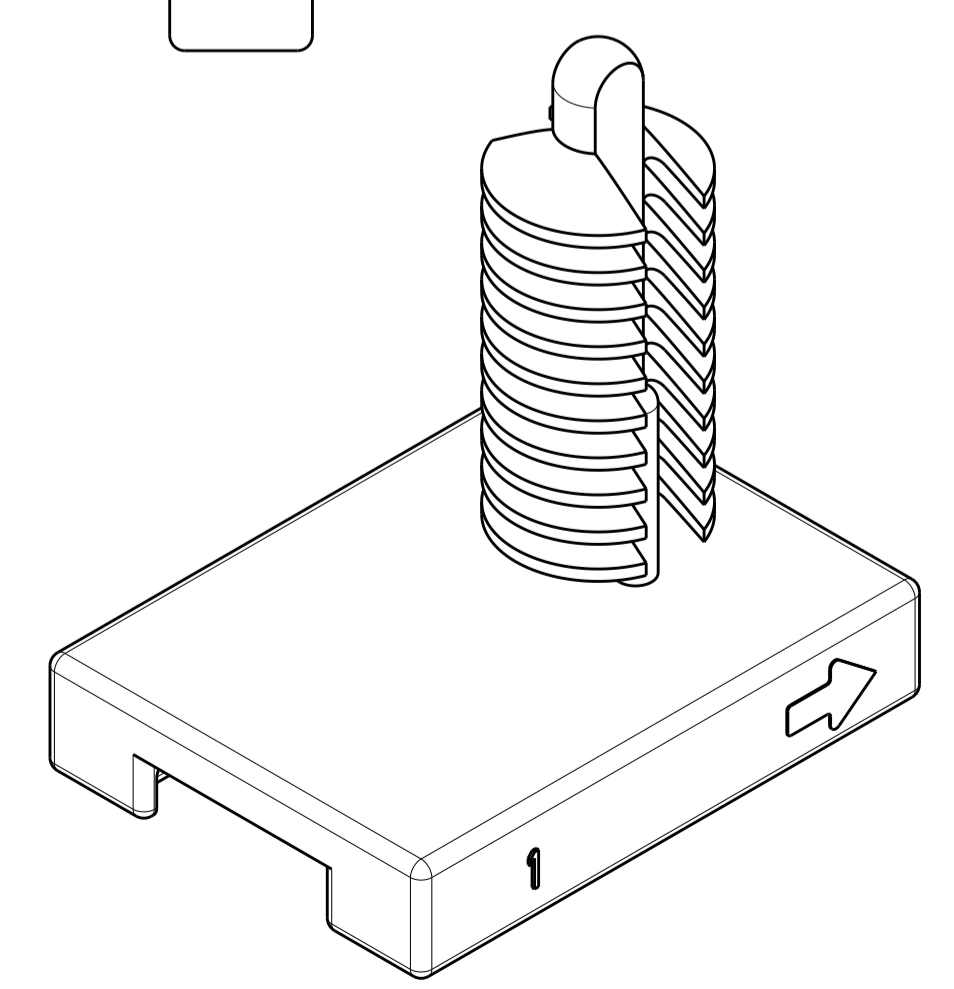
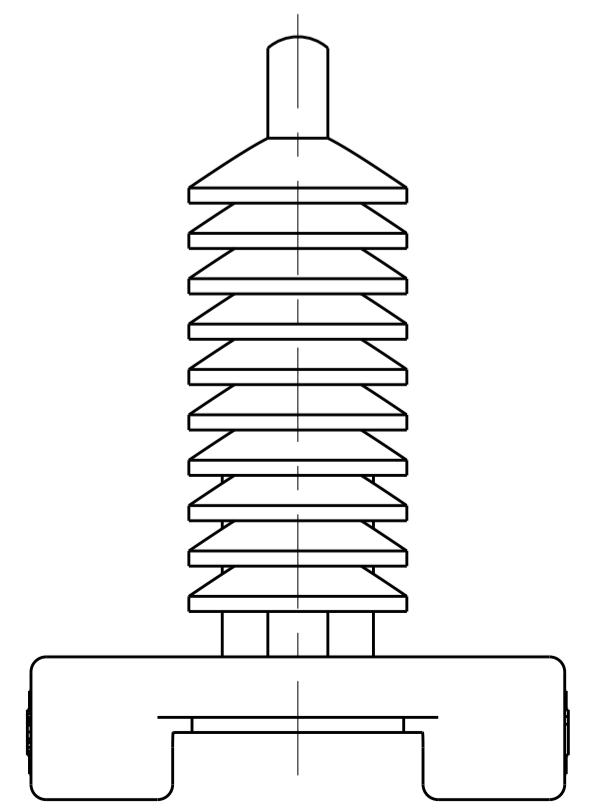
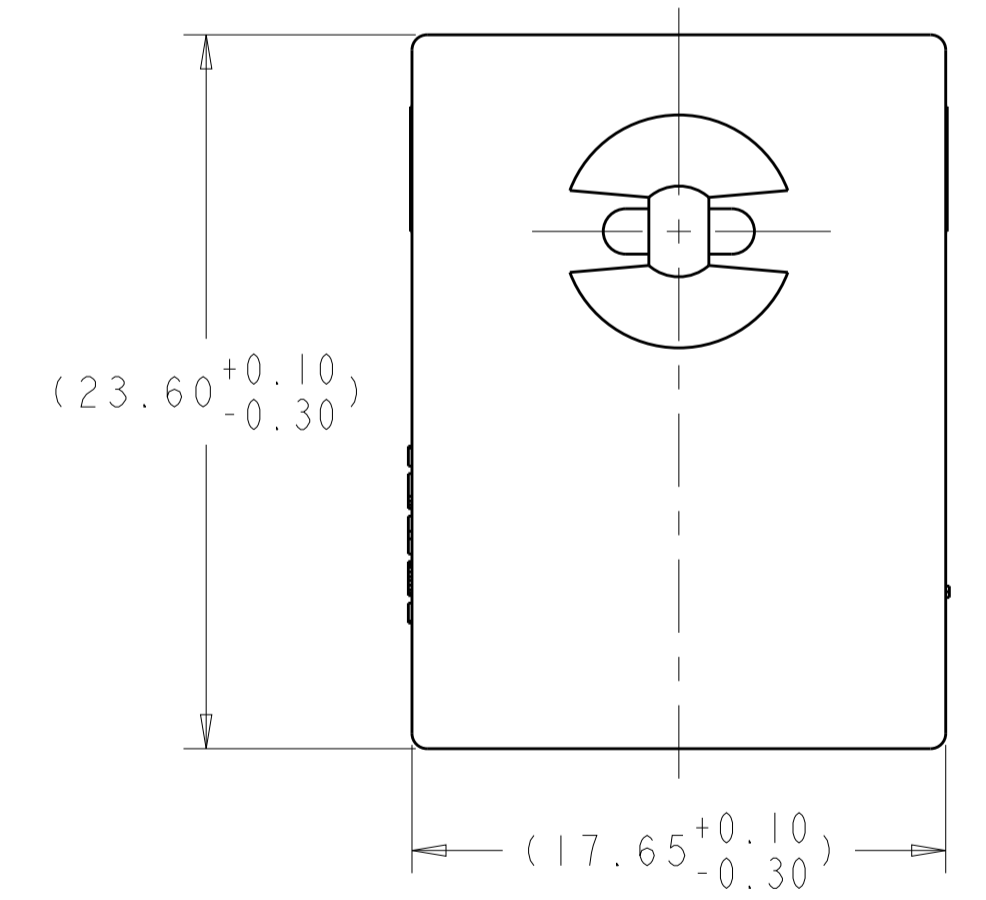
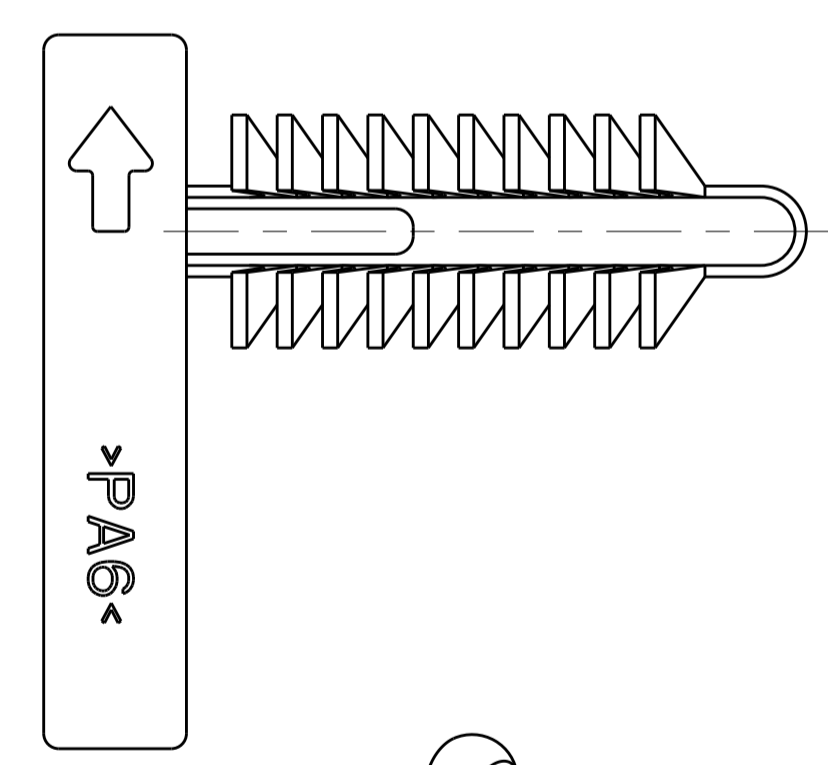
CONNECTOR POSITION	TREE HOLE (THREADED)	ANTI-ROTATION HOLE (THREADED OR UNTHREADED)	THREAD DEPTH (MINIMUM)
2	M8	M6 (5.0mm)	4mm
3	M8	M6 (5.0mm)	6mm
4	M8	M6 (5.0mm)	6mm
6	M8	M6 (5.0mm)	6mm
8	M8	M6 (5.0mm)	8mm
12	M8	M6 (5.0mm)	8mm

REVISIONS				
REV	LTN	DESCRIPTION	DATE	APVD
D		REVISED PER ECO-15-014592	09OCT2015	JM RB
D1		REVISED PER ECO-15-018109	17DEC2015	DD RB
E		REVISED PER ECO-19-009502	20JUN2019	NS RB

- △ MATERIAL: NYLON 6, COLOR: BLACK
- 2. MOUNTING PARAMETERS: SEE RECOMMENDED MOUNTING TABLE ON LEFT SIDE.
- △3 AREA TO BE FROSTED APPROXIMATELY WHERE SHOWN.
- △4 CAVITY ID.
- △5 ANTI-ROTATION POST DIMENSIONS ONLY APPLY TO 1924487-2.



1924487-2
DIMS SAME AS 1924487-1 EXCEPT AS SHOWN



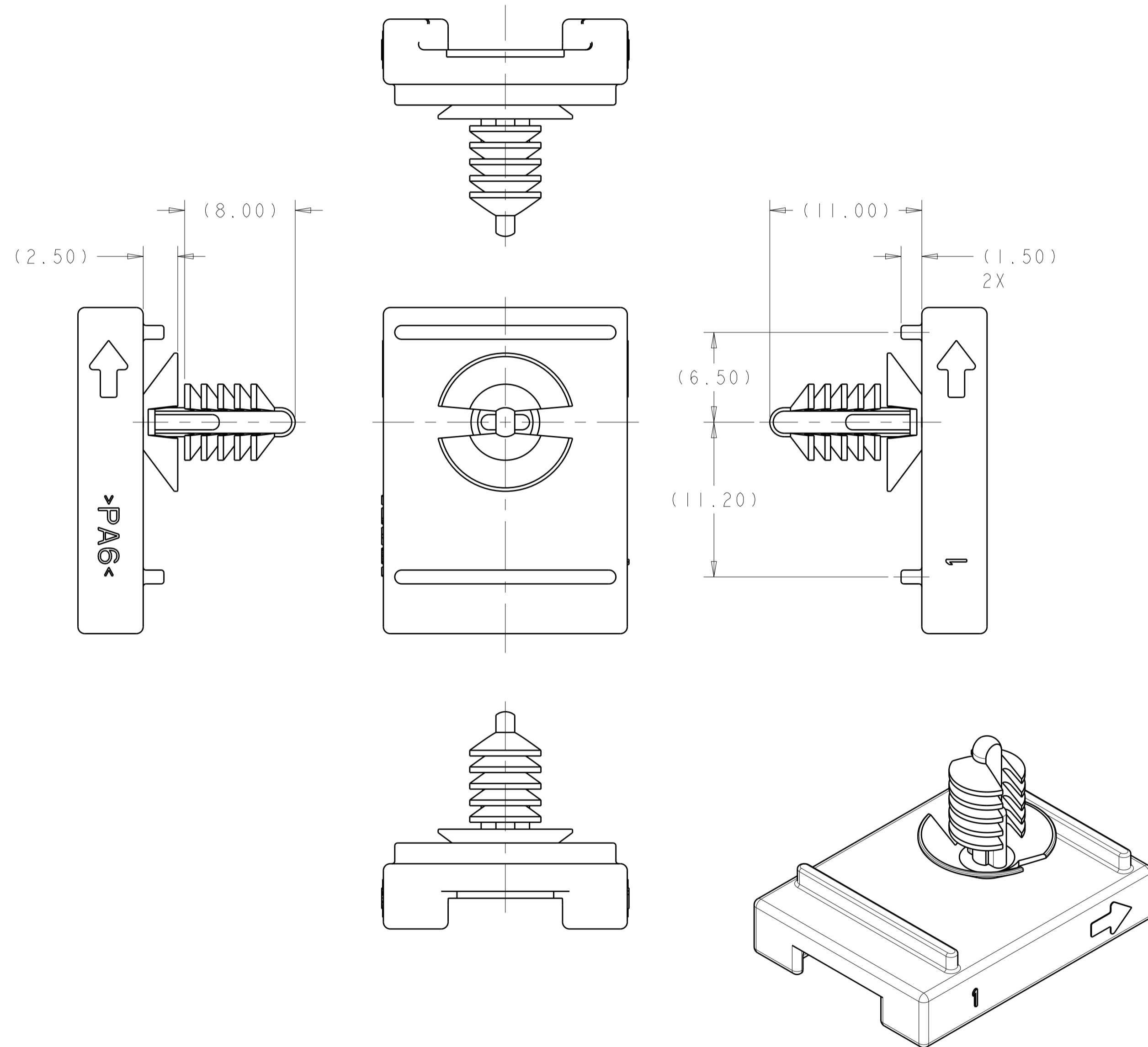
1924487-1

1.50 grams	1924487-3
1.65 grams	1924487-2
1.60 grams	1924487-1
WEIGHT (g)	PART NUMBER

THIS DRAWING IS A CONTROLLED DOCUMENT.		OWN J. MARKEY 22FEB2008	TE Connectivity	
DIMENSIONS: mm		CHK J. MARKEY 22FEB2008	NAME RETAINER CLIP, AMPSEAL 16	
TOLERANCES UNLESS OTHERWISE SPECIFIED:		APVD J. MARKEY 22FEB2008	PRODUCT SPEC	
0 PLC ±		APPLICATION SPEC		
1 PLC ±0.5		SIZE CAGE CODE DRAWING NO		
2 PLC ±0.3		RESTRICTED TO		
3 PLC ±		A100779C=1924487		
4 PLC ±		SCALE 3:1 SHEET 1 OF 2 REV E		
ANGLES ±		CUSTOMER DRAWING		
FINISH				

REVISIONS				
P.	LTH	DESCRIPTION	DATE	APVD
-		SEE SHEET 1	-	-

RECOMMENDED MOUNTING PARAMETERS
 1924487-3 ONLY
 1924487-3 TO SNAP INTO Ø4.7MM HOLE
 IN 3MM STOCK SHEET METAL.



1924487-3
 DIMS SAME AS 1924487-1
 EXCEPT AS SHOWN

THIS DRAWING IS A CONTROLLED DOCUMENT.		DWN J. MARKEY 22FEB2008	
DIMENSIONS: mm		CHK J. MARKEY 22FEB2008	
TOLERANCES UNLESS OTHERWISE SPECIFIED:		APVD J. MARKEY 22FEB2008	NAME RETAINER CLIP, AMPSEAL 16
0 PLC ±0.5		PRODUCT SPEC	SIZE CAGE CODE DRAWING NO RESTRICTED TO
2 PLC ±0.3		APPLICATION SPEC	A100779C=1924487
3 PLC ±		WEIGHT	SCALE 3:1 SHEET 2 OF 2 REV E
4 PLC ±		CUSTOMER DRAWING	
ANGLES ±	FINISH		

单击下面可查看定价，库存，交付和生命周期等信息

[>>TE Connectivity\(泰科\)](#)