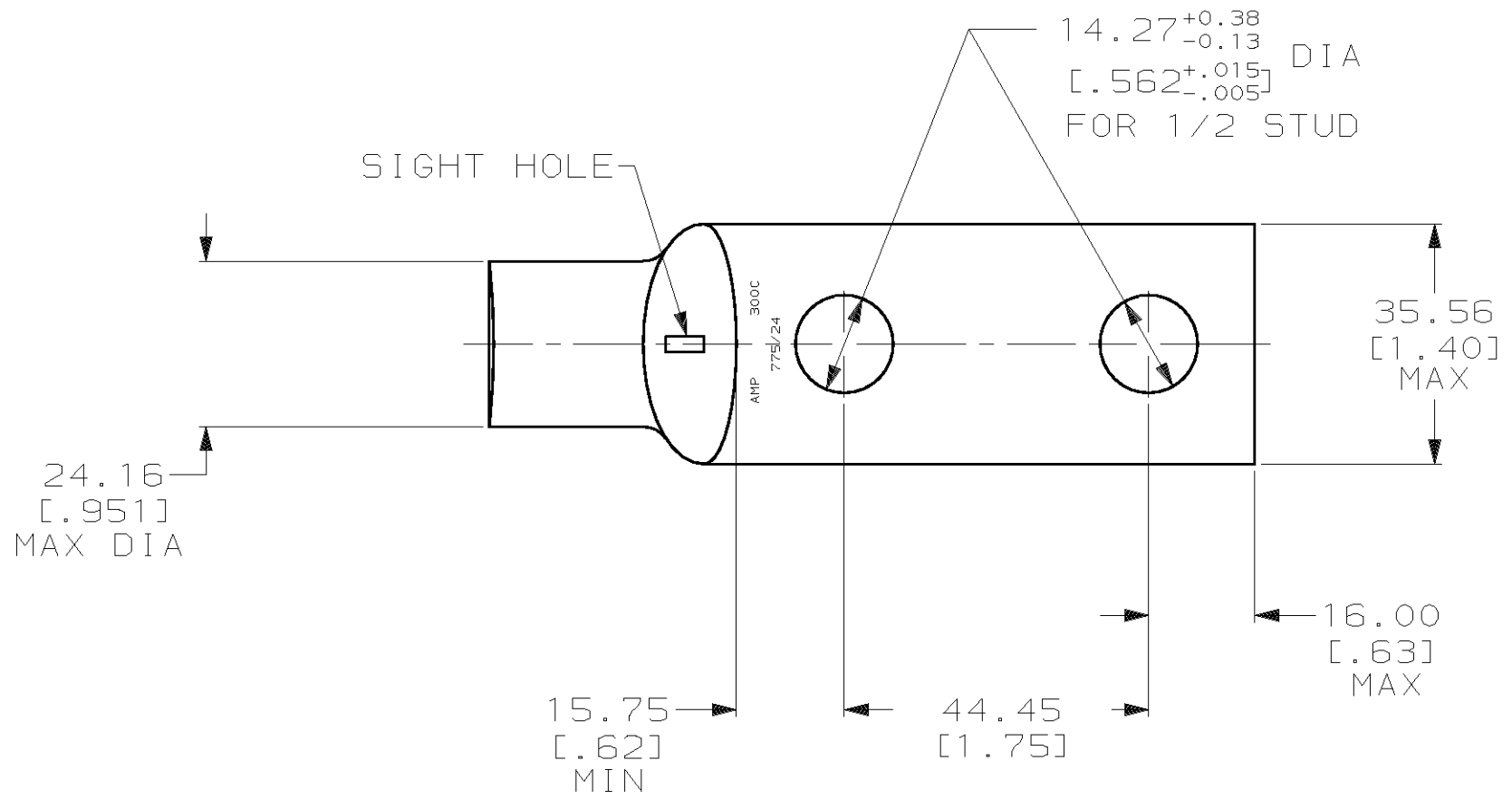
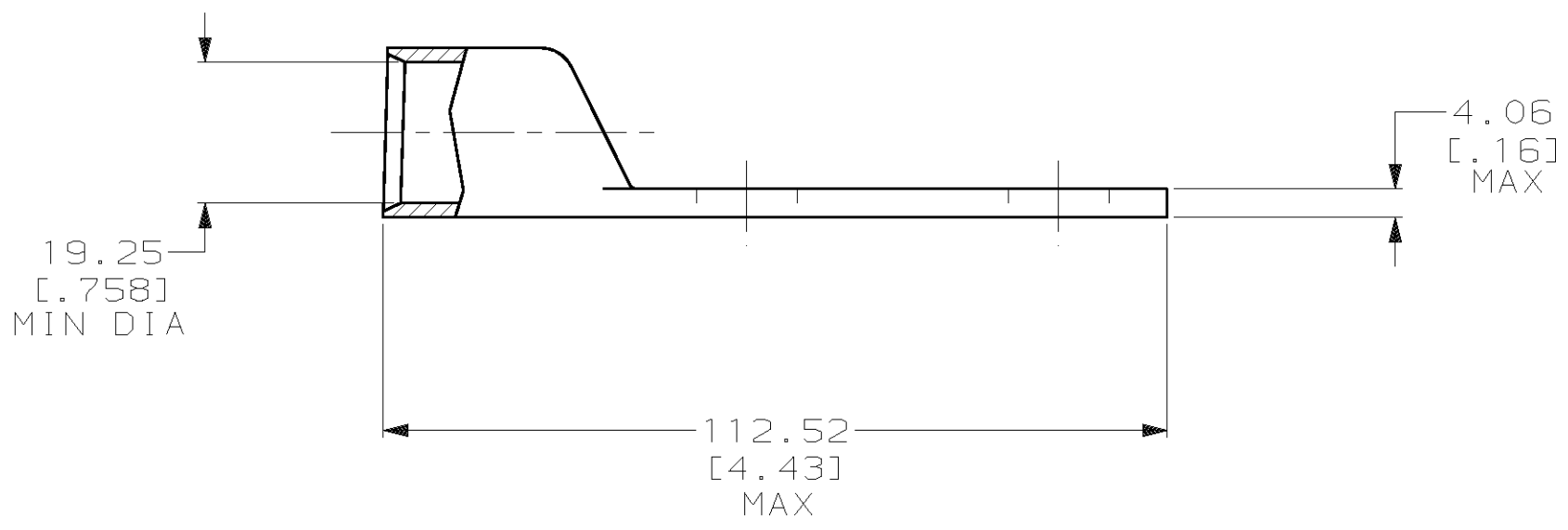


THIS DRAWING IS UNPUBLISHED. RELEASED FOR PUBLICATION  
 © COPYRIGHT 19 BY AMP INCORPORATED. ALL INTERNATIONAL RIGHTS RESERVED.

| LOC |    | DIST |  | P |  | F |  | ZONE |  | LTR |  | REVISIONS            |         | DATE  | APPD |
|-----|----|------|--|---|--|---|--|------|--|-----|--|----------------------|---------|-------|------|
| G   | 86 |      |  |   |  |   |  |      |  | L   |  | REV PER 0G3A-0561-02 | 09OCT02 | JR/MS |      |



- 1 CIRCULAR MIL AREA RANGE: 275-325 MCM
- 2 TIN PL 0.00381 [.000150] MIN THK PER ASTM B 545
- 3 CLEANED, UNPLATED



|        |          |
|--------|----------|
| 3      | 327286-1 |
| 2      | 327286   |
| FINISH | PART NO  |

|  |  |                             |  |   |  |
|--|--|-----------------------------|--|---|--|
| DO NOT SCALE PRINT. UNLESS SPECIFIED<br>DIMENSIONS IN mm [INCHES]<br>TOLERANCES ON :<br>2 PLC DEC ± 0.51 [.020]<br>3 PLC DEC ± -<br>ANGLES ± - |  | DR 02/28/90<br>DK SCHRUM    |  | AMP INCORPORATED<br>Harrisburg, Pa. 17105             |  |
| MATERIAL<br><br>ANNEALED COPPER<br>ASTM B-75   |  | CHK 23JAN95<br>MS FEHER     |  |   |  |
| FINISH<br><br>SEE TABLE  |  | APPD 23JAN95<br>WJ VOCKROTH |  | NAME<br><br>TERMINAL, AMPPOWER,<br>WIRE SIZE: 300 MCM |  |
| WEIGHT .250 LB   |  | APPD 23JAN95<br>TL SHUTTER  |  | DRAWING NO<br>327286                                  |  |
| APPLICATION SPEC -   |  | PRODUCT SPEC<br>108-30200   |  | CAGE CODE<br>00779                                    |  |
| SCALE 1:1  |  | SHEET 1 OF 1                |  | DRAWING NO<br>327286                                  |  |



单击下面可查看定价，库存，交付和生命周期等信息

[>>TE Connectivity\(泰科\)](#)