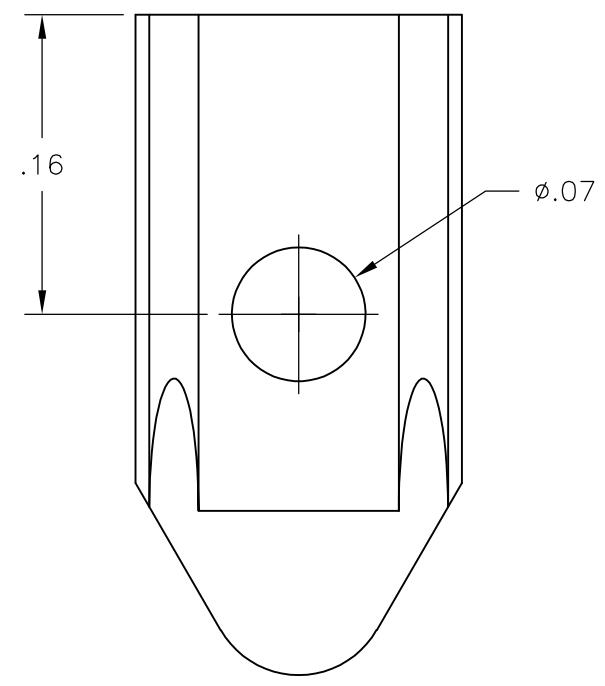
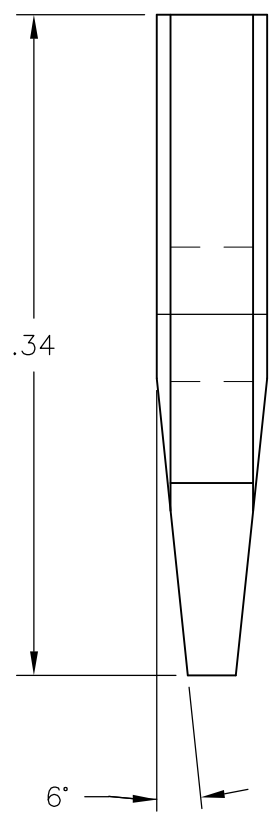
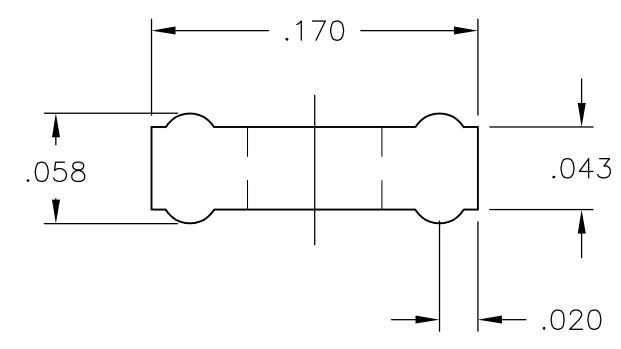


THIS DRAWING IS UNPUBLISHED. RELEASED FOR PUBLICATION  
 © COPYRIGHT - BY TYCO ELECTRONICS CORPORATION. ALL INTERNATIONAL RIGHTS RESERVED.

LOC	DIST	REVISIONS					
FT	0	P	LTR	DESCRIPTION	DATE	DWN	APVD
		A	-		1/6/09	SS	SM

△ MATERIAL: NYLON.



PC17	1437410-5
CAT. NO.	PART NUMBER

THIS DRAWING IS A CONTROLLED DOCUMENT.		DWN	S SCHLEGEL	06JAN2009	Tyco Electronics Corporation Harrisburg, PA 17105-3608		
DIMENSIONS: INCHES		CHK	S MACE	1/6/09	NAME		
		APVD	S MACE	1/6/09	PC17 KEYING PLUG PCB		
TOLERANCES UNLESS OTHERWISE SPECIFIED:		PRODUCT SPEC		RESTRICTED TO			
0 PLC	± -	APPLICATION SPEC		SIZE	CAGE CODE	DRAWING NO	
1 PLC	± -	MATERIAL		A3 00779		G-1437410-5	
2 PLC	± .02	FINISH		CUSTOMER DRAWING		SCALE	10:1
3 PLC	± .005					SHEET	1 OF 1
4 PLC	± -					REV	A
ANGLES	± 1°						

单击下面可查看定价，库存，交付和生命周期等信息

[>>TE Connectivity\(泰科\)](#)