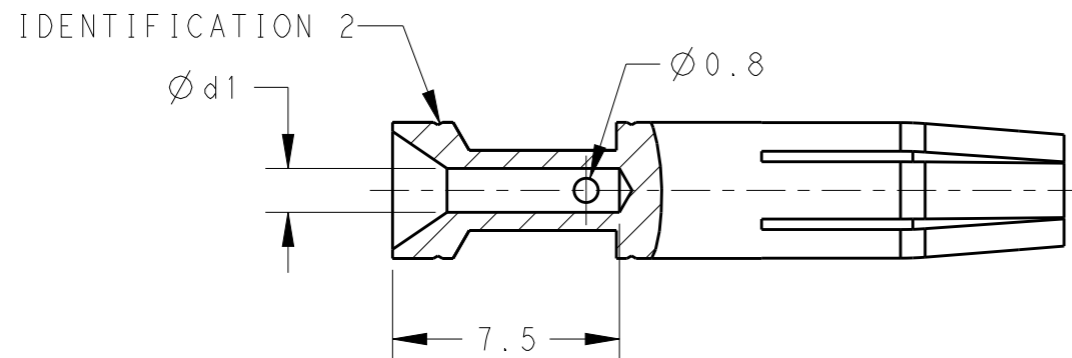
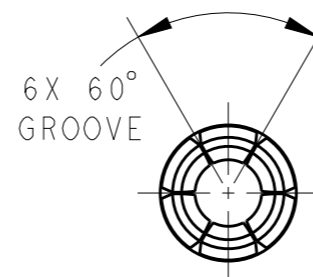
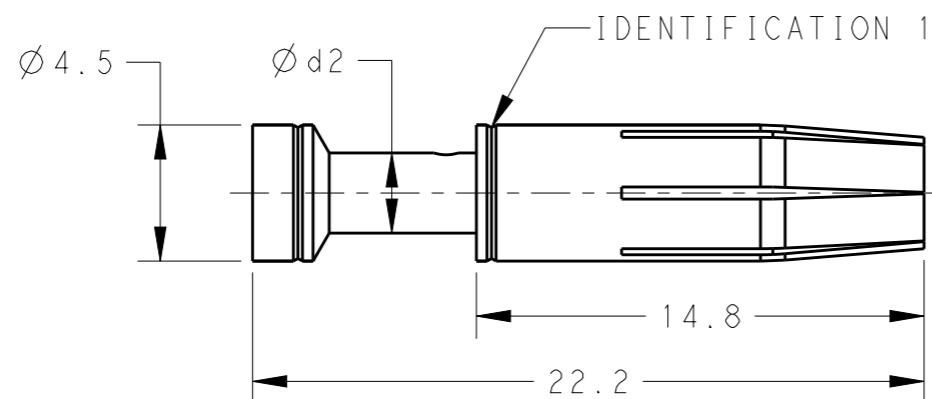
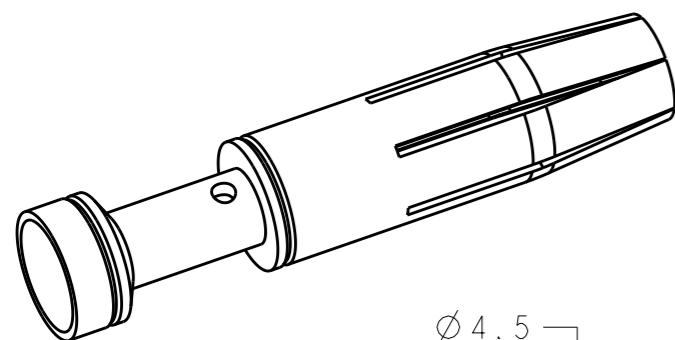


REVISIONS

P	LTR	DESCRIPTION	DATE	DWN	APVD
	A	INITIAL	18JUN2014	DW	CW
	A1	ECR-15-009407	01JUN2015	DW	CW



NOTES:

- 1. TECHNICAL CHARACTERISTICS:
 CONTACT MATERIAL: BRASS
 SURFACE PLATING:
 SILVER PLATING: $\geq 2\mu\text{m}$
 GOLD PLATING: $\geq 0.75\mu\text{m}$
 CONTACT RESISTANCE: $\leq 5\text{ m}\Omega$
 WIRE RANGE: 0.14-4 mm² (26-12 AWG)
 OPERATION TEMPERATURE: -40-+125°C

注释:

- 1. 技术参数:
 母针材料: 黄铜
 表面电镀:
 镀银: $\geq 2\mu\text{m}$
 镀金: $\geq 0.75\mu\text{m}$
 接触电阻: $\leq 5\text{ m}\Omega$
 接线范围: 0.14-4 mm² (26-12 AWG)
 工作温度: -40-+125°C

	PART NUMBER		d1	d2	WIRE GAUGE		STRIPPING LENGTH (mm)	IDENTIFICATION 1 (NUMBER OF GROOVES)	IDENTIFICATION 2 (NUMBER OF GROOVES)
	SILVER PLATING	GOLD PLATING			MM ²	AWG			
SOCKET CONTACT	T2030002002-000	T2030012002-000	0.90	2.50	0.14-0.37	26-22	7.5	1 GROOVE	1 GROOVE
	T2030002005-000	T2030012005-000	1.15	2.50	0.5	20		NO GROOVE	NO GROOVE
	T2030002008-000	T2030012008-000	1.30	2.50	0.75	18		NO GROOVE	1 GROOVE
	T2030002010-000	T2030012010-000	1.45	2.65	1.0	18		1 GROOVE	NO GROOVE
	T2030002015-000	T2030012015-000	1.75	3.00	1.5	16		2 GROOVES	NO GROOVE
	T2030002025-000	T2030012025-000	2.25	3.45	2.5	14		3 GROOVES	NO GROOVE
	T2030002030-000	T2030012030-000	2.55	3.75	3.0	12		1 WIDE GROOVE	1 GROOVE
	T2030002040-000	T2030012040-000	2.85	3.85	4.0	12		NO GROOVE	NO GROOVE

THIS DRAWING IS A CONTROLLED DOCUMENT.

DWN 18JUN2014

David Wang

CHK 18JUN2014

Chris Wang

APVD 18JUN2014

Xiang Xu

PRODUCT SPEC

108-106137

APPLICATION SPEC

114-106137

WEIGHT -

Customer Drawing



TE Connectivity

NAME

CEF/DEF
HEE SOCKET CONTACT

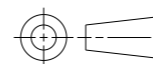
SIZE CAGE CODE DRAWING NO RESTRICTED TO

A3 00779 C-T20300X20XX000 -

SCALE 4:1 SHEET 1 OF 1 REV A1

DIMENSIONS:

mm



TOLERANCES UNLESS OTHERWISE SPECIFIED:

0 PLC	±-
1 PLC	±-
2 PLC	±-
3 PLC	±-
4 PLC	±-
ANGLES	±-

MATERIAL

-

FINISH

-

单击下面可查看定价，库存，交付和生命周期等信息

[>>TE Connectivity\(泰科\)](#)