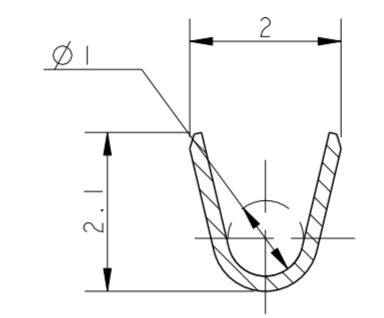
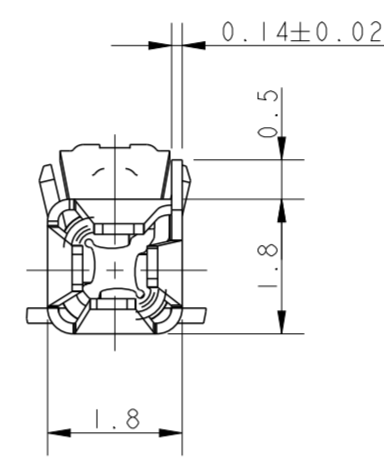
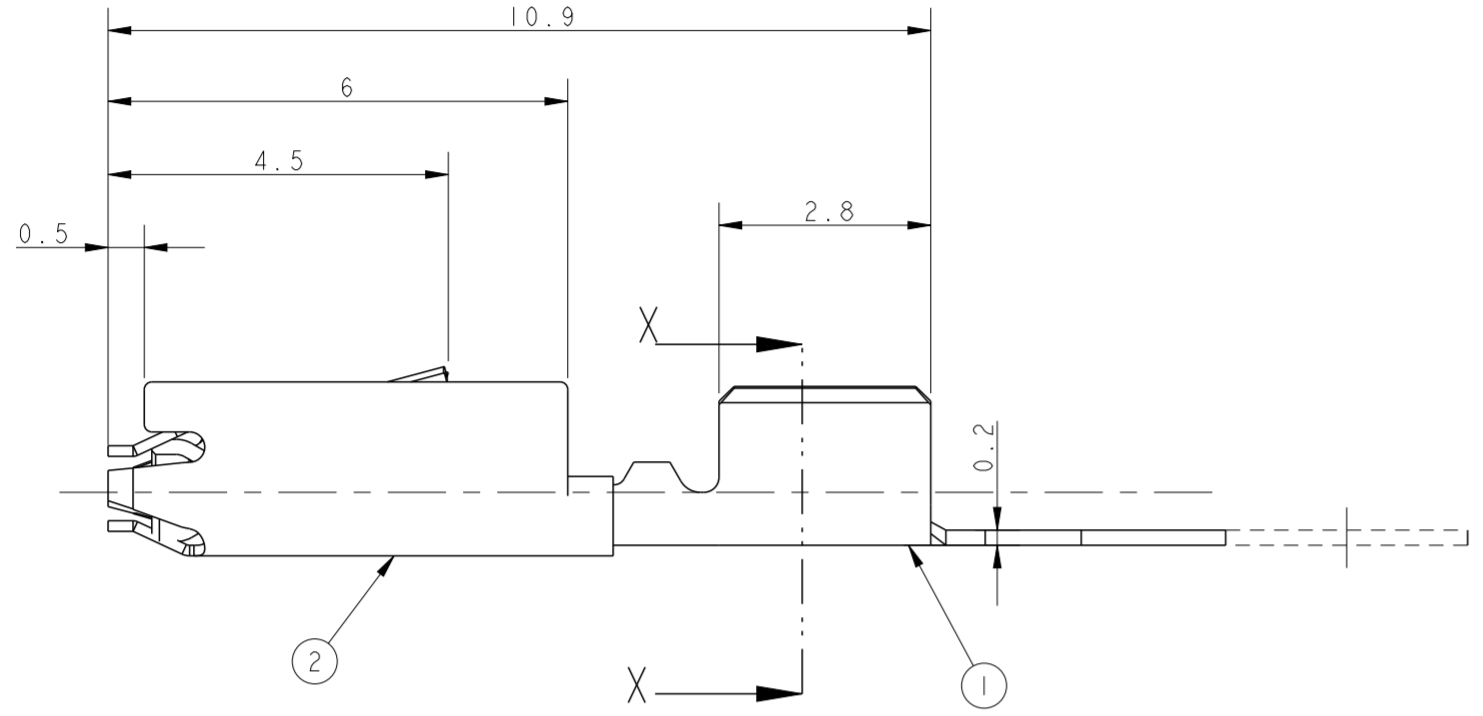
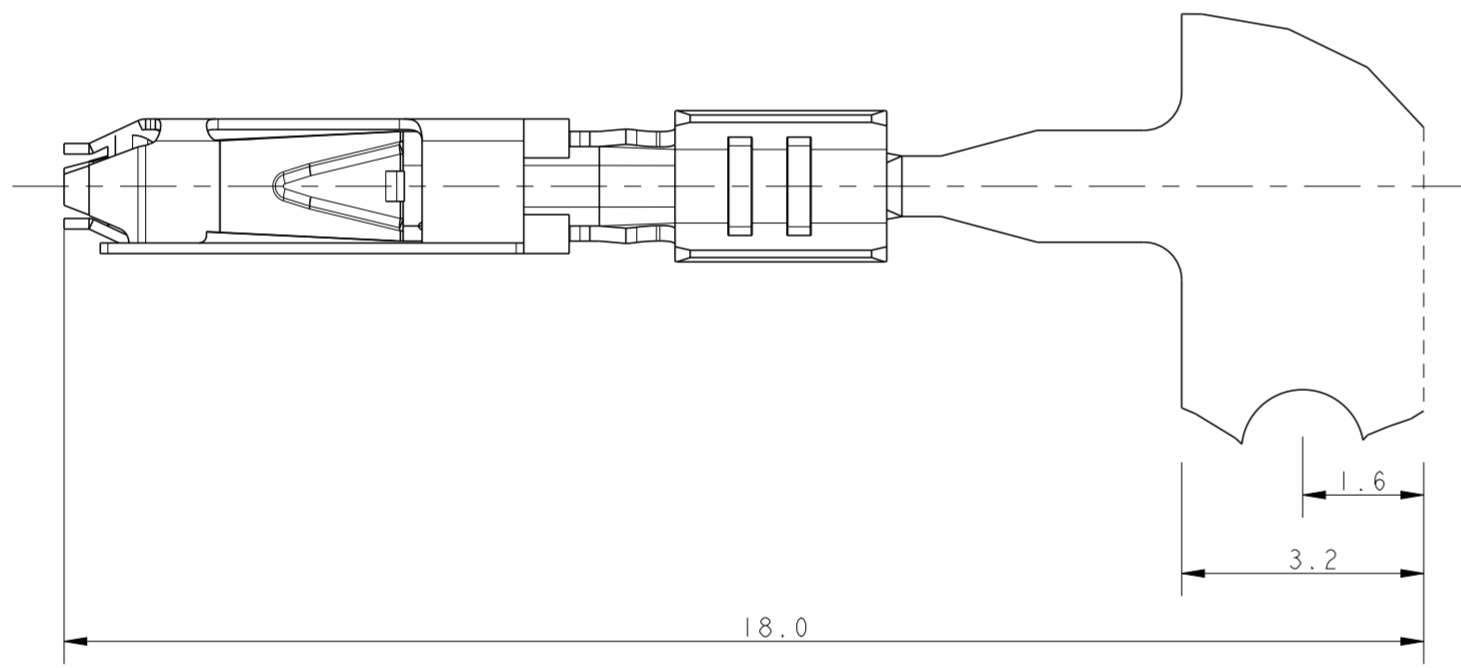


THIS DRAWING IS UNPUBLISHED. RELEASED FOR PUBLICATION
 © COPYRIGHT 2007 BY - ALL RIGHTS RESERVED.

REVISIONS					
P	LTR	DESCRIPTION	DATE	DWN	APVD
D		Changed spring design	04FEB2010	AV	GT
E		UPDATED PART REVISION	24FEB2011	AV	GT
F		REVISED PER ECR-17-004903	09MAY2017	SK	JL
FI		ALIGNED PART REVISIONS	19NOV2020	MZ	PO



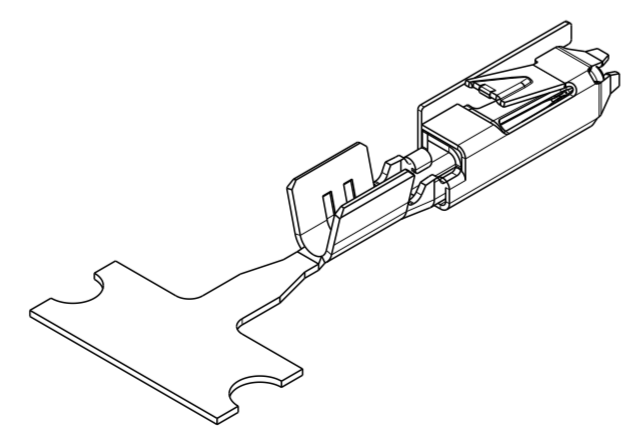
SECTION X - X



Bemerkungen
NOTES

1. Passend zu Stiftkontakt siehe Zeichnung: AMP: 1740335
SUITABLE FOR PIN CONTACT SEE DRAWING:
2. Kontakt geeignet für Drahtgroessenbereich 0.5...0.75mm²
CONTACT ACCEPTS WIRE-SIZE 0.5...0.75mm²
3. Halbautomatisches Werkzeug und Handzange
(je für 2 crimps in einem Durchgang) verfügbar
SEMI-AUTOMATIC TOOL AND HANDTOOL
(EACH FOR 2 CRIMPS IN ONE CYCLE) AVAILABLE:
4. Abmantellänge für crimp ist 3,5 mm
STRIPPED CABLE LENGTH FOR CRIMP IS 3.5mm
5. Gewicht ca. 0,12g
WEIGHT ABOUT 0.12g
6. Werkzeugvorschub 7,0 mm
DIE FEED 7.0 mm
7. Aufgerollt auf Kartonspule
REELED ON PAPER-REEL

9	1740336-8	1740336-7	F	2	SPRING	X10CrNi 18 8		
				1	BODY	CuNiSi	GOLD PLATED	
9	1740336-6	1740336-4	F	2	SPRING	X10CrNi 18 8		
				1	BODY	CuNiSi	TIN PLATED	
9	1740336-3	1740336-1	F	2	SPRING	X10CrNi 18 8		
				1	BODY	CuNiSi	BLANK	
DIRECTION OFF TOP OF REEL		LOOSE PIECE	PART NO	REV	POS	DESCRIPTION	MATERIAL	FINISH OF CONTACT AREA



SCALE 5:1

DIRECTION OFF TOP OF REEL	THIS DRAWING IS A CONTROLLED DOCUMENT.		DWN PRAVEEN 24 APR 06	TE Connectivity			
	Fertig-zustand		CHK S. SKADE 24 APR 06				
	DIMENSIONS:	TOLERANCES UNLESS OTHERWISE SPECIFIED:	APVD T. GERLACH 24 APR 06	NAME MICRO QUADLOK SYSTEM SOCKET CONTACT			
	mm	0 PLC ± 1 PLC ±0.2 2 PLC ± 3 PLC ± 4 PLC ±	PRODUCT SPEC 108-94018	SIZE	CAGE CODE	DRAWING NO	RESTRICTED TO
MATERIAL	SEE TABLE	FINISH	APPLICATION SPEC 114-18751	WEIGHT	A200779 C-1740336		
CUSTOMER DRAWING			SCALE	10:1	SHEET	OF	REV FI

单击下面可查看定价，库存，交付和生命周期等信息

[>>TE Connectivity\(泰科\)](#)