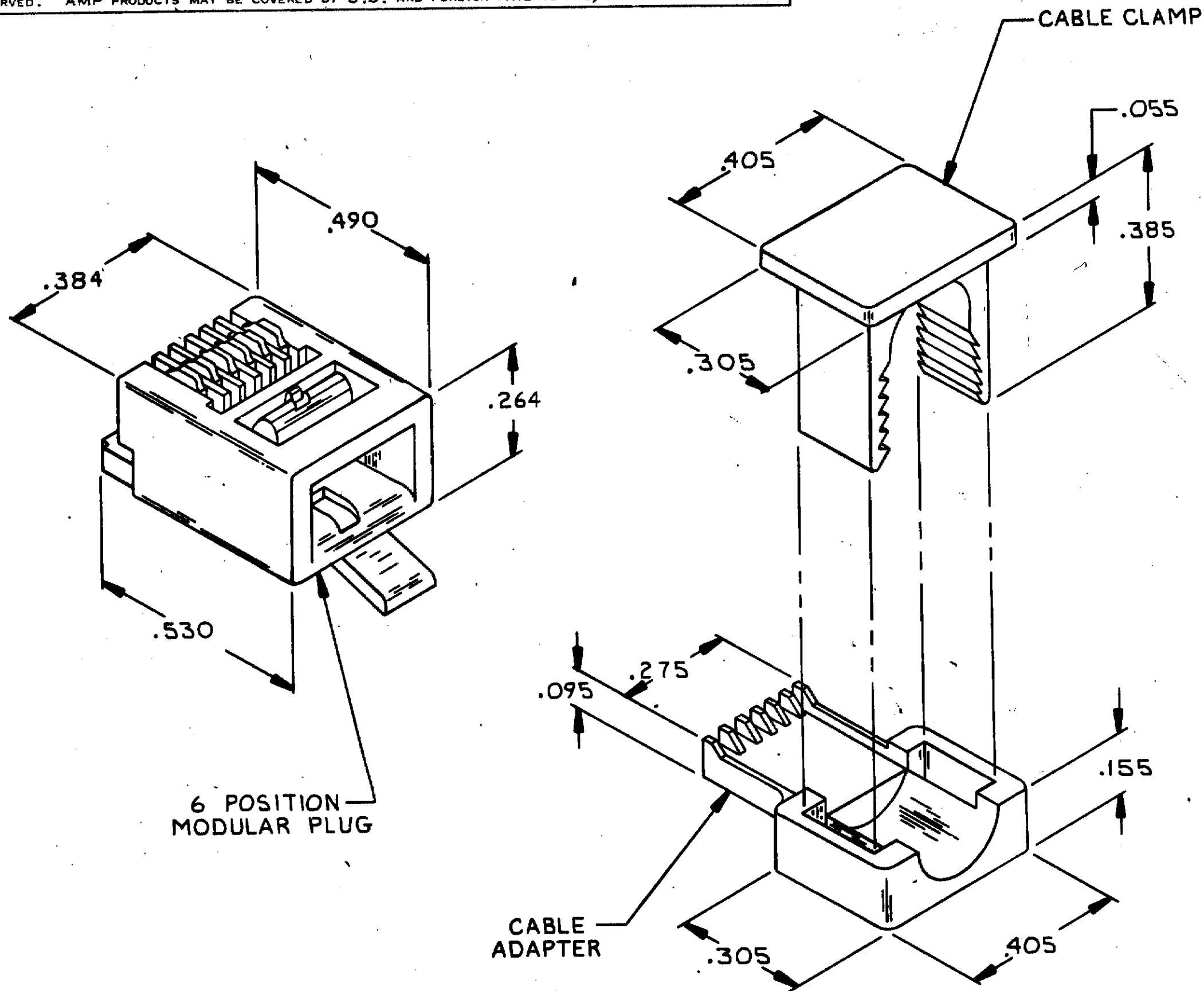


THIS DRAWING IS UNPUBLISHED. RELEASED FOR PUBLICATION .19
 © COPYRIGHT 19 BY AMP INCORPORATED, HARRISBURG, PA. ALL INTERNATIONAL RIGHTS RESERVED. AMP PRODUCTS MAY BE COVERED BY U.S. AND FOREIGN PATENTS AND/OR PATENTS PENDING.

REVISIONS						
P	F	ZONE	LTR	DESCRIPTION	DATE	APPROVED
0	✓		0	RLSD; NPI C84-169	8/14/84	C4 TE



1. ALL DIMENSIONS SHOWN ARE MAXIMUM UNLESS OTHERWISE SPECIFIED.
2. MATERIAL: CABLE CLAMP & ADAPTER - NYLON, TYPE 6/6, BLACK. MODULAR PLUG - POLYCARBONATE, CLEAR.
3. RECOMMENDED CABLE RANGE: .150-.250 O.D.

1000	554603-2
100	554603-1
REQUIRED/BOX	PART NO

UNLESS OTHERWISE SPECIFIED DIMENSIONS ARE IN INCHES. TOLERANCES ON: DECIMALS ± .010 ANGLES ± .5°	CONTRACT NO		AMP AMP INCORPORATED Harrisburg, Pa. 17105	
	DR. <i>C. Yates</i> 8-16-84			
	MATERIAL		NAME	
	FINISH		MODULAR PLUG KIT, 6 POSITION, WITH ROUND CABLE ADAPTER	
OTHER APPD		CHK. <i>J. Canty</i> 8-22-84	APPD. <i>Joe Wolfel</i> 8-23-84	APPD. <i>J.B. Wilkinson</i> 8/23/84
DESIGN APPD		SIZE	FSCM NO	DRAWING NO
SCALE 4:1		C	00779	554603
SHEET 1 OF 1				

单击下面可查看定价，库存，交付和生命周期等信息

[>>TE Connectivity\(泰科\)](#)