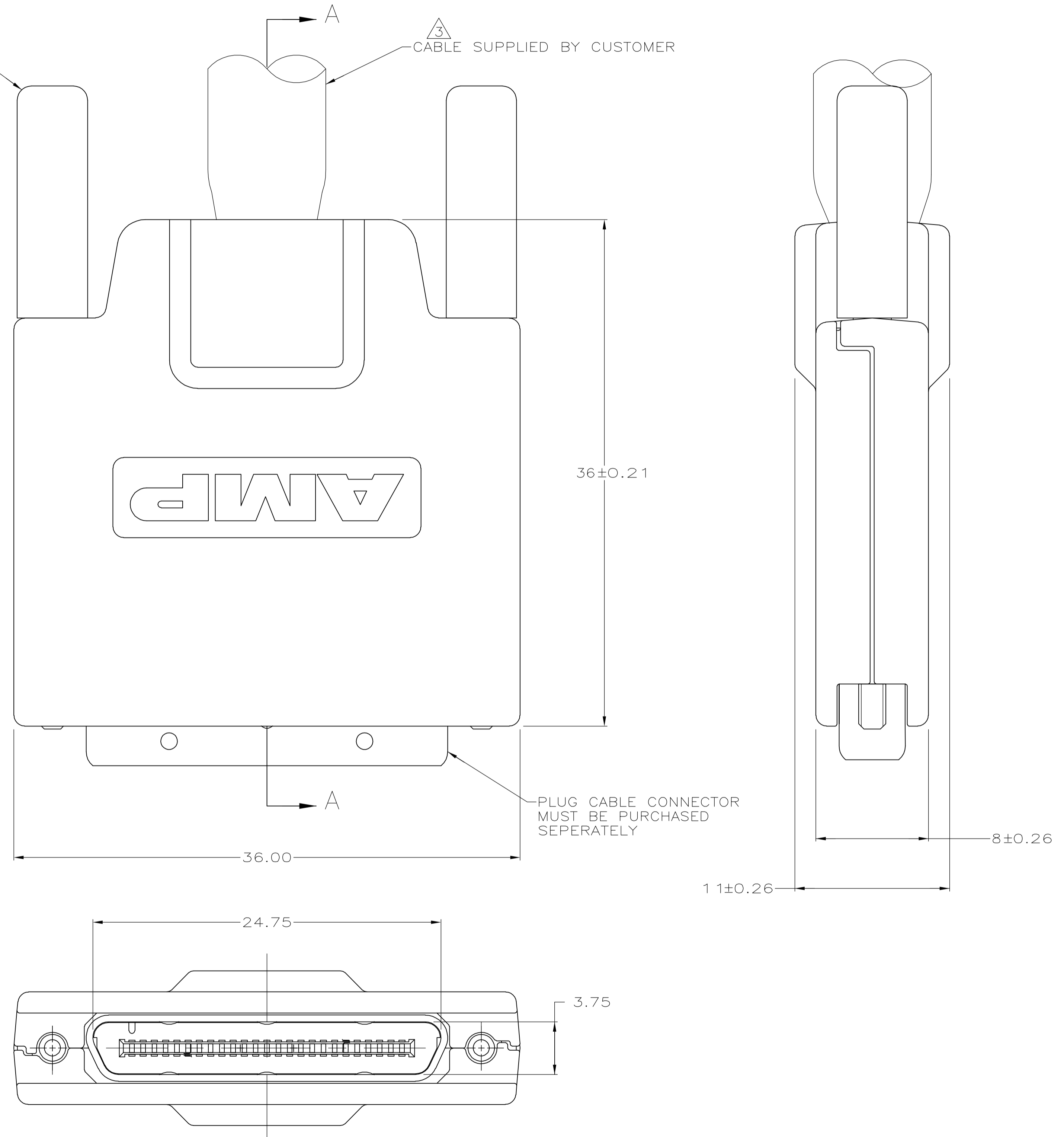
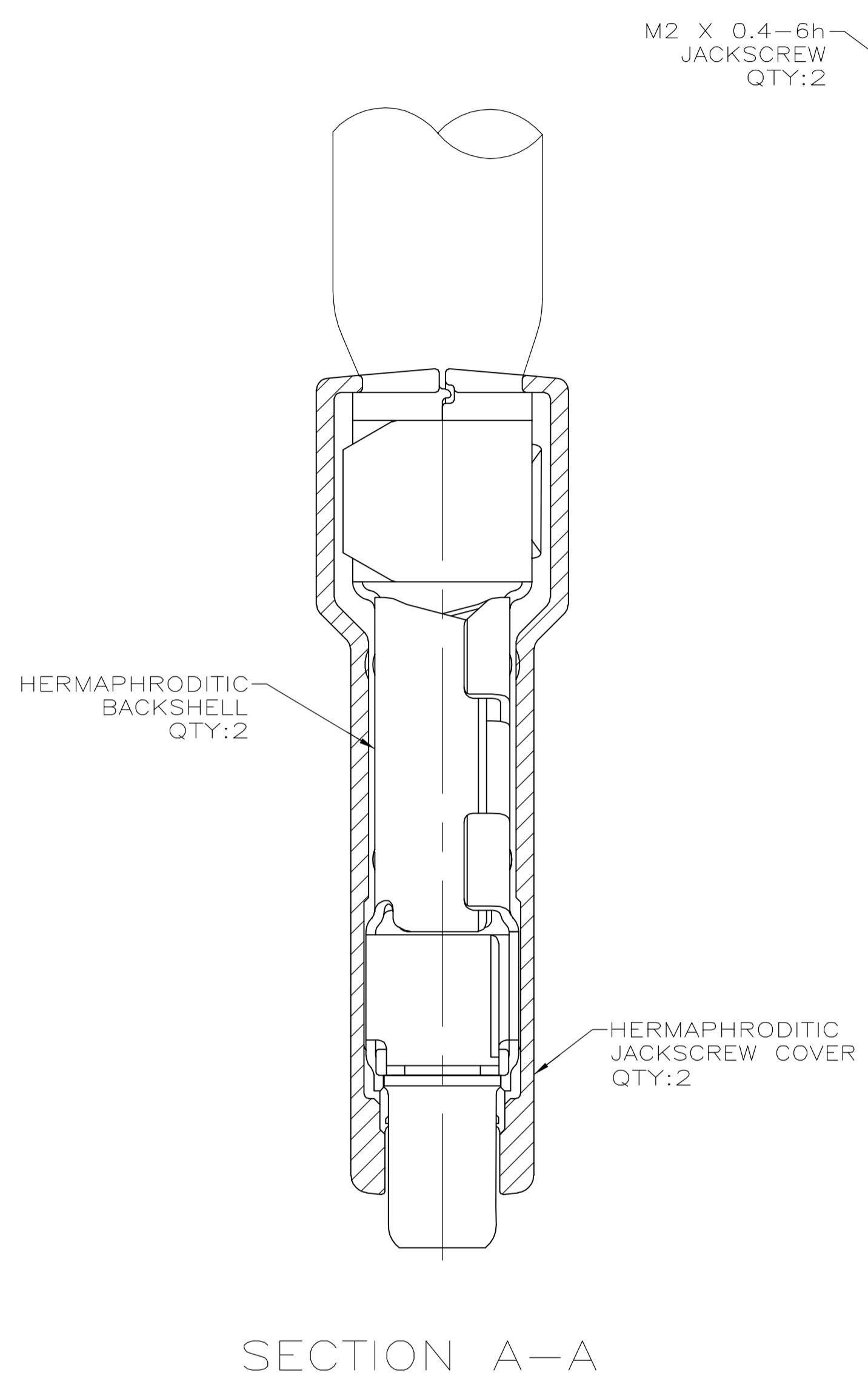


LOC		DIST		REVISIONS			
GP	00	REV	DATE	BY	APP'D		
0		RELEASED PER EC 0513-0337-06	16MAR06	JG	SS		



- △ MATERIAL:
 HERMAPHRODITIC BACKSHELL: STEEL.
 JACKSCREW: STEEL.
 JACKSCREW HEAD: ABS MOLDING COMPOUND, COLOR BLACK.
 HERMAPHRODITIC JACKSCREW COVER: UL 94V-0 RATED ABS MOLDING COMPOUND, COLOR BLACK.
- △ PLATING:
 HERMAPHRODITIC BACKSHELL- 5µm MIN BRIGHT NICKEL OVER 2.5µm MIN COPPER.
 JACKSCREW - BLUE TRIVALENT CHROMIUM OVER ZINC.
- △ RECOMMENDED WIRE: 30 AWG WITH A 0.56-0.64 INSULATION DIAMETER, WIRE MUST BE APPROVED BY AMP ENGINEERING.
- 4. BULK PACKAGED 100 KITS PER BAG.

5787233-1
 PART NO

THIS DRAWING IS A CONTROLLED DOCUMENT.		DWG J.GERACE 16MAR06	Tyco Electronics Corporation Harrisburg, PA 17105-3608	
DIMENSIONS: mm		CHK S.SHUEY 16MAR06	APPROVED M.WALMSLEY 16MAR06	
TOLERANCES UNLESS OTHERWISE SPECIFIED:		NAME BACKSHELL KIT, JACKSCREW, CABLE CONNECTOR, 0.8mm CHAMP		
0 PLC ± -	1 PLC ± -	PRODUCT SPEC 108-1471		
2 PLC ± 0.13	3 PLC ± -	APPLICATION SPEC		
4 PLC ± -	ANGLES ± -	SIZE A1	CAGE CODE 00779	DRAWING NO 5787233
MATERIAL 1	FINISH 2	WEIGHT -	RESTRICTED TO -	CUSTOMER DRAWING
		SCALE 5:1	SHEET 1 of 1	REV 0

单击下面可查看定价，库存，交付和生命周期等信息

[>>TE Connectivity\(泰科\)](#)