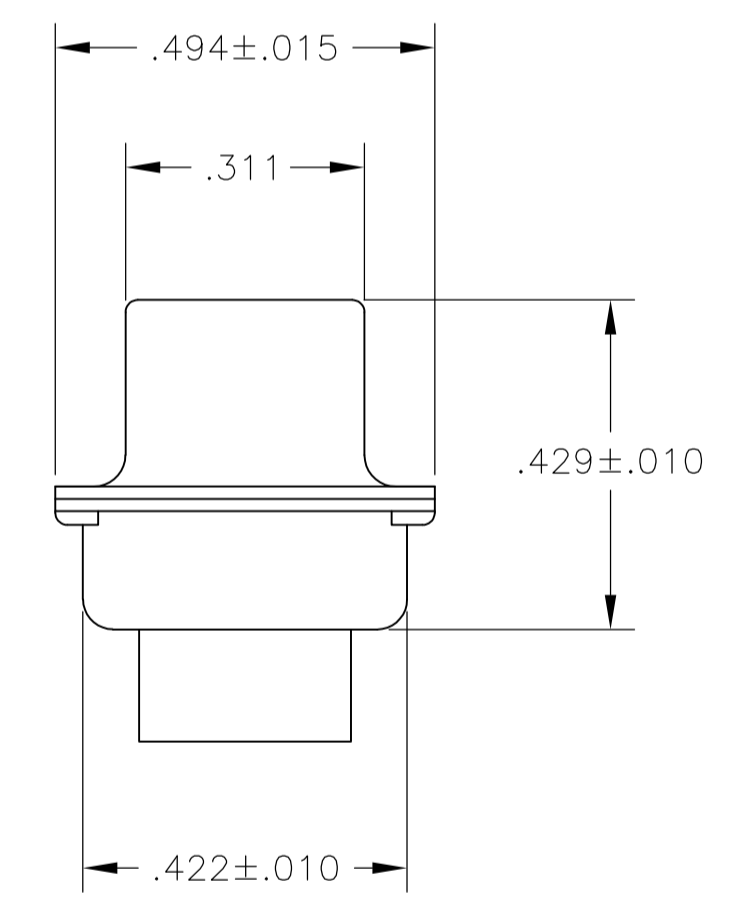
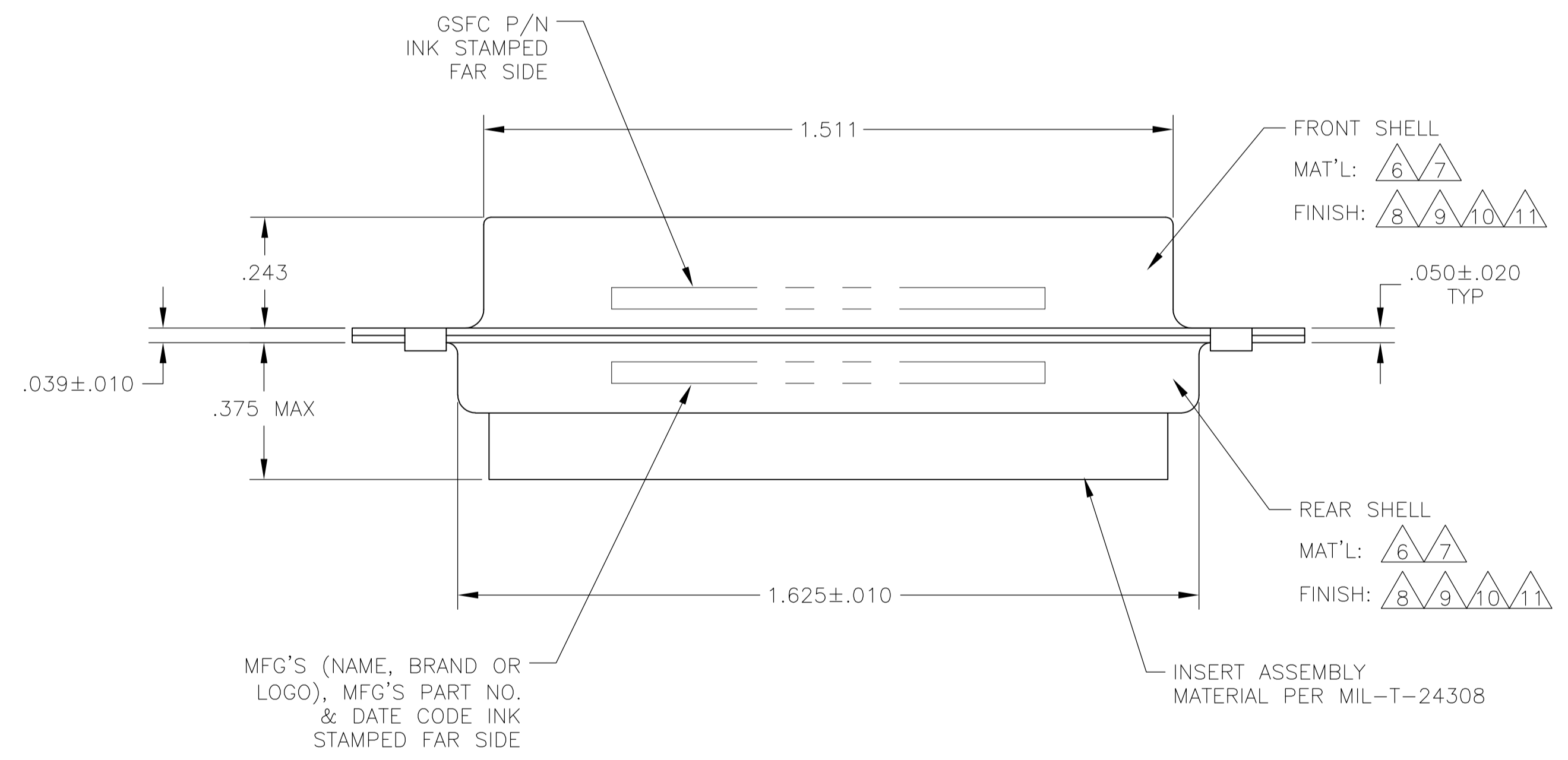
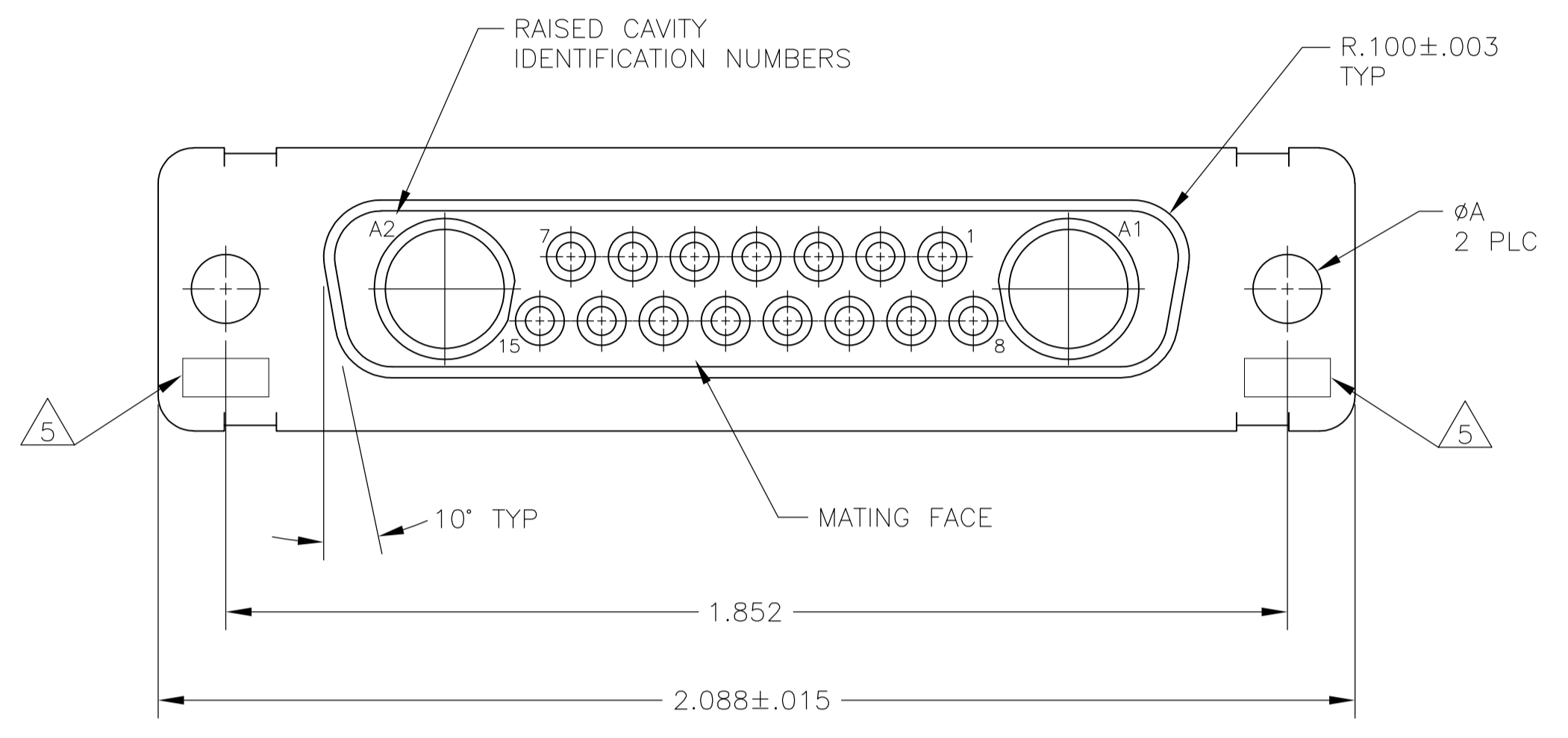


REVISIONS				
P	LTR	DESCRIPTION	DATE	DMN / APVO
R		REV PER ECO 17-011273	8-21-17	CT / DM

- THIS RECEPTACLE WILL MATE WITH ANY 17C2, SIZE 3 PLUG IN AMPLIMITE SERIES.
 - MAXIMUM WIRE INSULATION TO BE USED WITH THIS RECEPTACLE IS $\phi.068$.
 - THIS CONNECTOR ACCEPTS (2) POWER 8, OR COAX SOCKET CONTACTS IN POSITIONS A1 THRU A2, PURCHASED SEPARATELY.
 - THIS CONNECTOR ACCEPTS SIZE 20 SOCKET SIGNAL CONTACTS IN POSITIONS 1 THRU 15, PURCHASED SEPARATELY.
- $\triangle 5$ UL/CSA DESIGNATION STAMPED IN THIS AREA, OPTIONAL.
 $\triangle 6$ STEEL PER ASTM-A-109.
 $\triangle 7$ BRASS PER MIL-C-50 AND ASTM-B-36 UNS NO. C26000.
 $\triangle 8$ FINISH: CADMIUM PLATED PER QQ-P-416.
 $\triangle 9$ GOLD PLATED PER MIL-G-45204 TYPE II, GRADE C, CLASS 1 OVER COPPER PER MIL-C-14550, CLASS IV.
 $\triangle 10$ FINISH: TIN PER ASTM-B-545 .000400 MIN THK OVER COPPER PER AMS2418 .000050 MIN THK.
 $\triangle 11$ FINISH: ZINC PLATE PER ASTM-B-633 .000200-.000400 THK WITH SUPPLEMENTARY CHROMATE (Cr3+).



PRELIMINARY NOT RELEASED FOR PRODUCTION

REMARKS	ϕA	GSFC P/N	PART NO.
$\triangle 6$ $\triangle 11$.120	-	5-212510-1
$\triangle 6$ $\triangle 10$.120	-	5-212510-4
$\triangle 6$ $\triangle 10$.120	-	212510-5
$\triangle 6$ $\triangle 10$.120	-	212510-4
$\triangle 7$ $\triangle 9$.154	311P405-13S-B-15	212510-3
$\triangle 7$ $\triangle 9$.120	311P405-13S-B-12	212510-2
$\triangle 6$ $\triangle 8$.120	-	212510-1

THIS DRAWING IS A CONTROLLED DOCUMENT.

DIMENSIONS: INCHES
 TOLERANCES UNLESS OTHERWISE SPECIFIED:
 0 PLC ± -
 1 PLC ± -
 2 PLC ± -
 3 PLC ± .005(0.13)
 4 PLC ± -
 ANGLES ± σ 30'

MATERIAL: -
 FINISH: -

DIM: C.C.THOMAS 26JAN88
 CHK: A.FMADI 02FEB88
 APVO: A.FMADI 02FEB88
 NAME: RECEPTACLE ASSEMBLY AMPLIMITE 17C2 SIZE 3, SERIES 109, COAX MIX
 SIZE: A1
 WEIGHT: 0.000000
 CUSTOMER DRAWING

SCALE: 4:1
 SHEET: 1 OF 1
 REV: R

STE TE Connectivity

单击下面可查看定价，库存，交付和生命周期等信息

[>>TE Connectivity\(泰科\)](#)