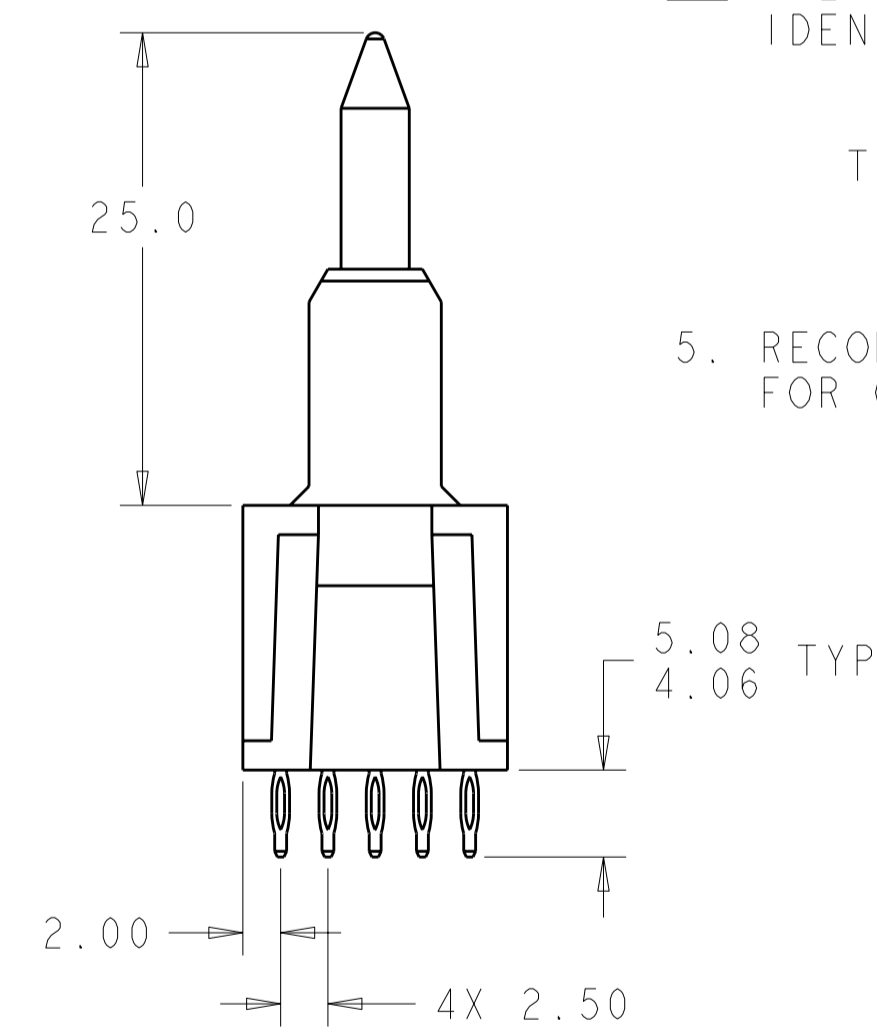
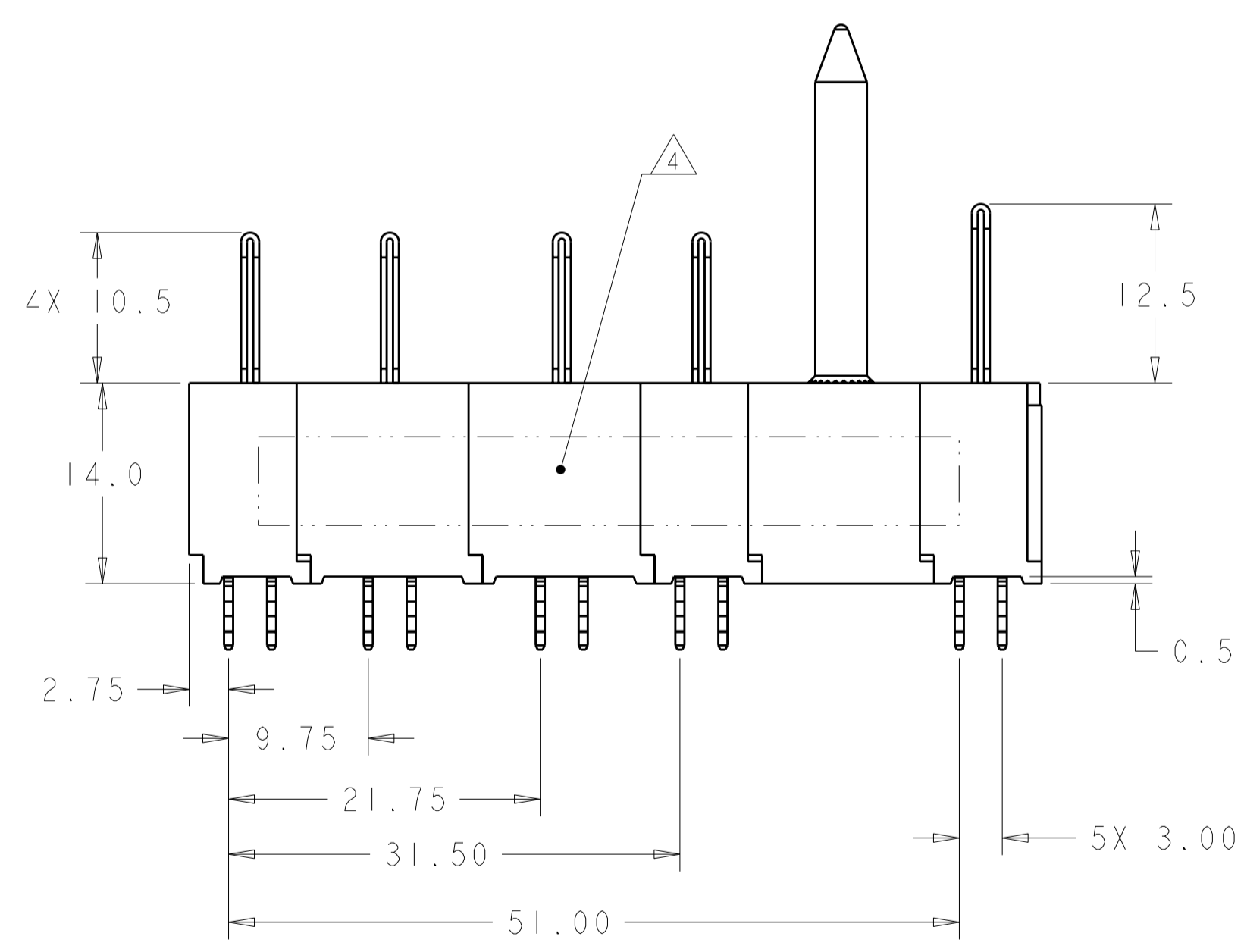
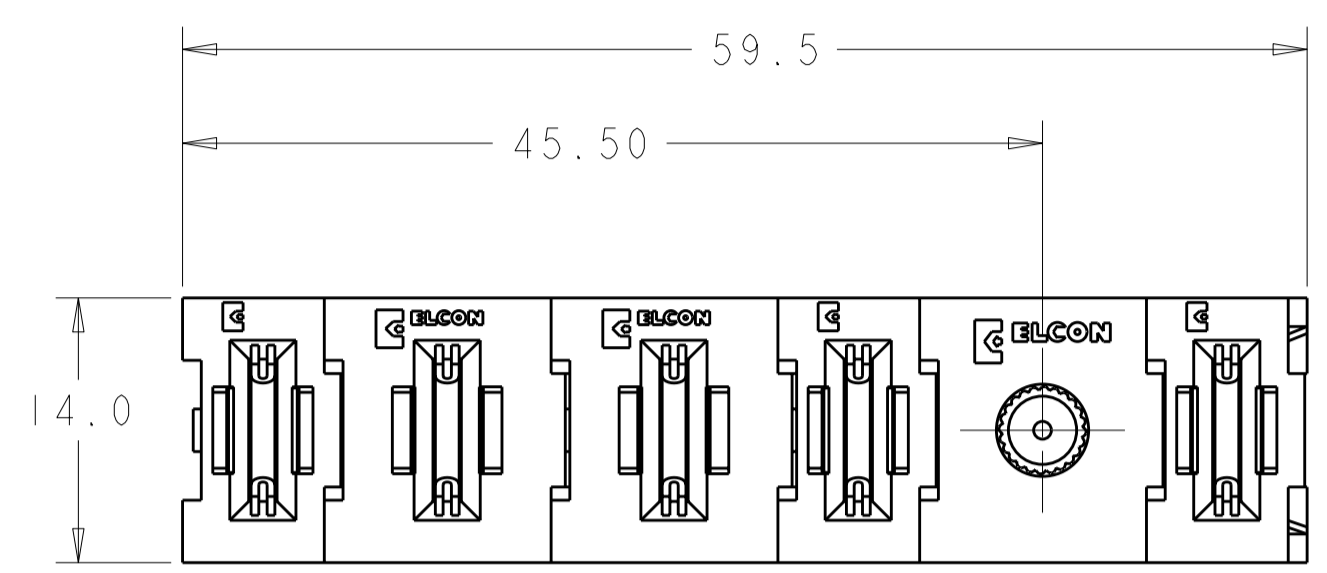


THIS DRAWING IS UNPUBLISHED. RELEASED FOR PUBLICATION 20
 © COPYRIGHT 20 BY TYCO ELECTRONICS CORPORATION. ALL RIGHTS RESERVED.

LOC		DIST		REVISIONS			
P	LTR	DESCRIPTION	DATE	DWN	APVD		
GP	00	A	NEW RELEASE	02JAN2008	RG	SF	



1. PART NUMBER CHANGES AND OR DESIGN CHANGES AFFECTING ITEM INTERCHANGEABILITY REQUIRE PRIOR TYCO ELECTRONICS APPROVAL AND AUTHORIZATION BY REVISION TO THIS DRAWING.

2 MATERIAL:
 INSULATORS - THERMOPLASTIC, GLASS REINFORCED, COLOR: BLACK, UL94V-0 FLAMMABILITY RATED.
 POWER CONTACTS: PHOSPHOR BRONZE ALLOY, COPPER ALLOY
 CROWN BANDS - BERYLLIUM COPPER ALLOY
 GUIDE PIN - BRASS ALLOY

3 FINISH:
 CONTACTS - GOLD PLATE 0.76µm MIN. THK., OVER NICKEL 1.27µm MIN. THK.
 COMPLIANT TAIL, TIN 1.02µm MIN THK. OVER NICKEL 1.27µm MIN THK.
 GUIDE PIN - NICKEL 1.27µm MIN THK.

4 ITEMS PROVIDED TO THIS SPECIFICATION TO BE PERMANENTLY IDENTIFIED PER THE FOLLOWING IDENTIFIER LABEL

YEAR 11 WEEK

TYCO ELECTRONICS P/N: XXXXXXXX-X DATE CODE (e.g. 0106): XXXX

5. RECOMMENDED PRESSING TOOL FIX00105. CONTACT TYCO ELECTRONICS FOR QUOTE

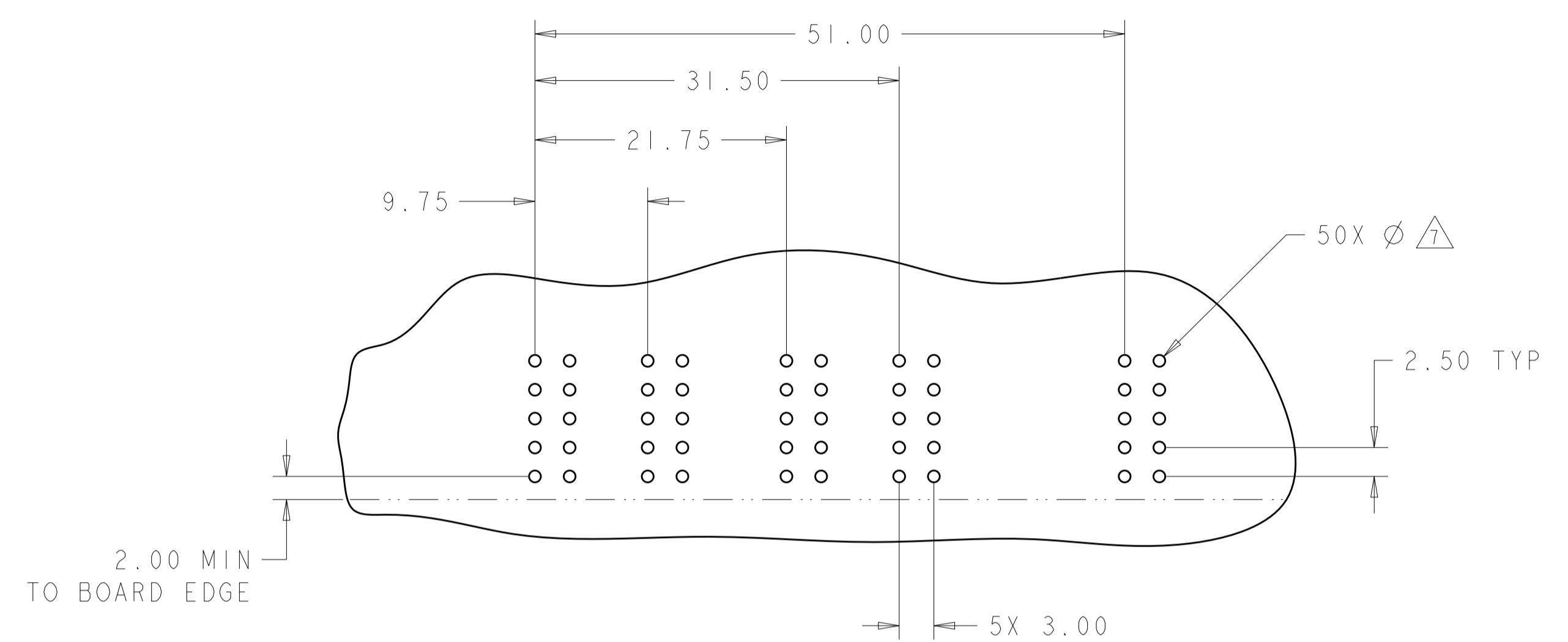
AS SHOWN	6646380-1
DESCRIPTION	PART NUMBER

THIS DRAWING IS A CONTROLLED DOCUMENT FOR TYCO ELECTRONICS CORPORATION. IT IS SUBJECT TO CHANGE AND THE CONTROLLING ENGINEERING ORGANIZATION SHOULD BE CONTACTED FOR THE LATEST REVISION.		DWN: R. GRZYBOWSKI 02JAN2008	Tyco Electronics Harrisburg, PA 17105-3608
DIMENSIONS: mm		CHK: S. FLICKINGER 02JAN2008	
TOLERANCES UNLESS OTHERWISE SPECIFIED:		APVD: S. FLICKINGER 02JAN2008	
0 PLC ±- 1 PLC ±0.5 2 PLC ±0.25 3 PLC ±- 4 PLC ±- ANGLES ±3 FINISH		PRODUCT SPEC - APPLICATION SPEC - WEIGHT -	
MATERIAL	2 -	3 -	NAME: PIN CONNECTOR ASSY STRAIGHT, PRESS FIT FLATPAQ SIZE: A2 CAGE CODE: 00779 DRAWING NO: 6646380 RESTRICTED TO: - CUSTOMER DRAWING SCALE: 3:1 SHEET 1 OF 3 REV A

ELCON FLATPAQ

THIS DRAWING IS UNPUBLISHED. RELEASED FOR PUBLICATION 20
 © COPYRIGHT 20 BY TYCO ELECTRONICS CORPORATION. ALL RIGHTS RESERVED.

LOC	DIST	REVISIONS			
P	LTR	DESCRIPTION	DATE	DWN	APVD
GP	00	-	SEE SHEET 1	-	-



PRINTED CIRCUIT LAYOUT
 COMPONENT SIDE

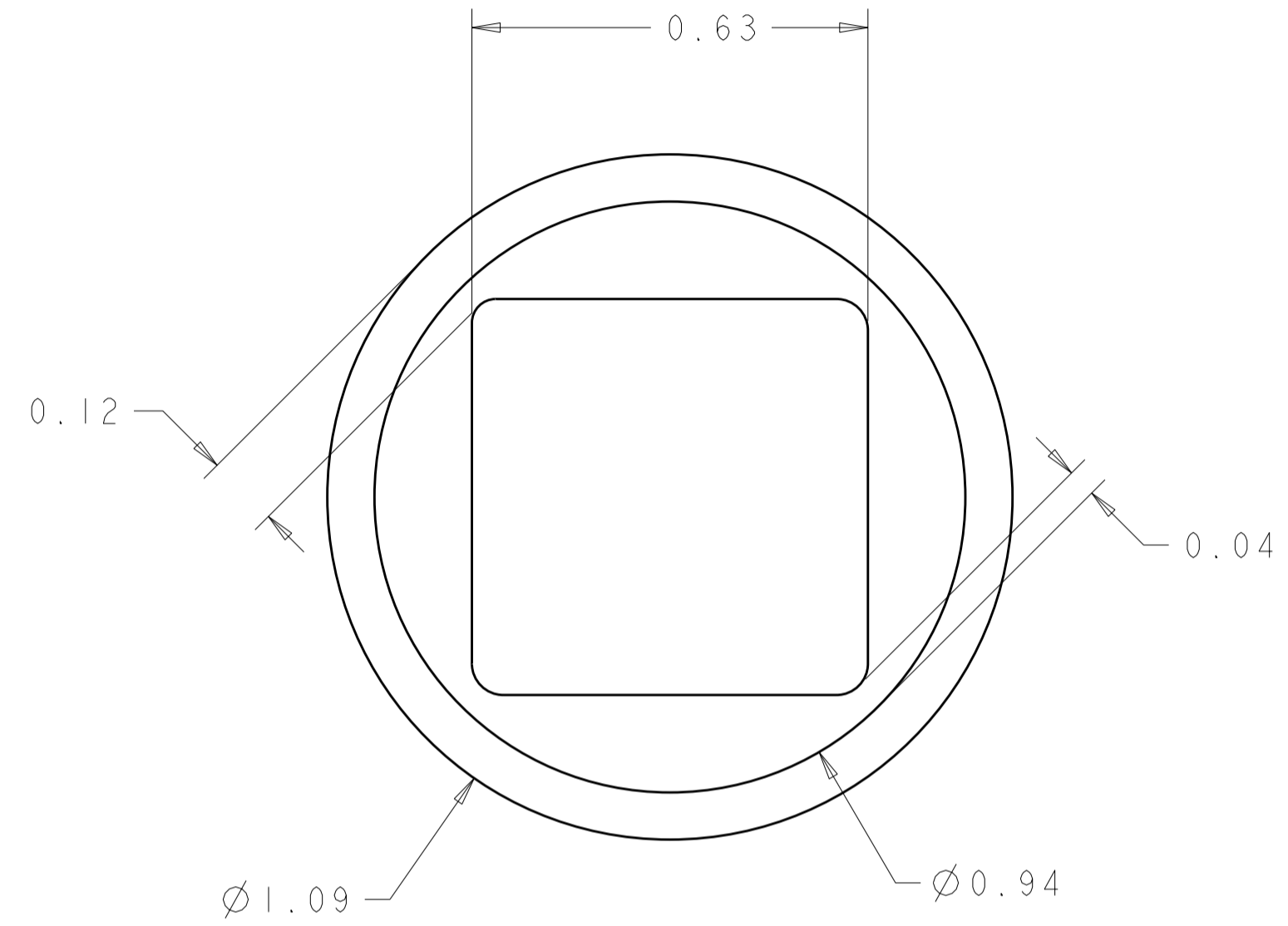
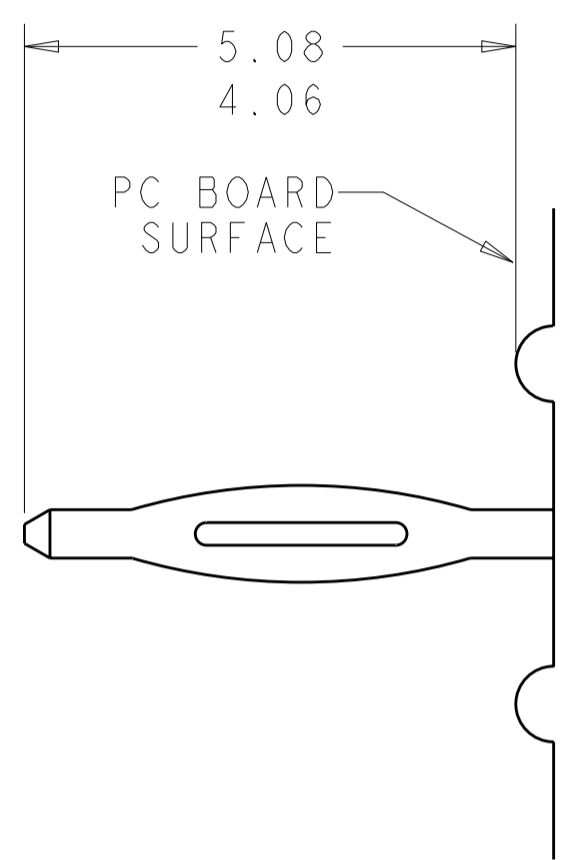
CONNECTOR	CATALOG MODULE #	QTY	SIZE NO.	CONTACT QTY	MAX. CURRENT (PER CONTACT)	CONTACT SPACING	VOLTAGE RATING
PIN	FP201	2	8	2	35 amps	7.50	250
	FP202	1	8	1	35 amps	12.00	250
	FP217	2	8	2	35 amps	7.50	600
	FP503	1	STRAIGHT GUIDE PIN				

<small>THIS DRAWING IS A CONTROLLED DOCUMENT FOR TYCO ELECTRONICS CORPORATION. IT IS SUBJECT TO CHANGE AND THE CONTROLLING ENGINEERING ORGANIZATION SHOULD BE CONTACTED FOR THE LATEST REVISION.</small>		DWN R. GRZYBOWSKI 02 JAN 2008 CHK S. FLICKINGER 02 JAN 2008 APVD S. FLICKINGER 02 JAN 2008	Tyco Electronics Harrisburg, PA 17105-3608
DIMENSIONS: mm	TOLERANCES UNLESS OTHERWISE SPECIFIED: 0 PLC ±- 1 PLC ±0.5 2 PLC ±0.25 3 PLC ±- 4 PLC ±- ANGLES ±3 FINISH	PRODUCT SPEC APPLICATION SPEC WEIGHT CUSTOMER DRAWING	NAME PIN CONNECTOR ASSY STRAIGHT, PRESS FIT FLATPAQ SIZE CAGE CODE DRAWING NO RESTRICTED TO A200779 C-6646380 -
SCALE 3:1		SHEET 2 OF 3 REV A	

ELCON **FLATPAQ**

THIS DRAWING IS UNPUBLISHED. RELEASED FOR PUBLICATION 20
 © COPYRIGHT 20 BY TYCO ELECTRONICS CORPORATION. ALL RIGHTS RESERVED.

LOC	DIST	REVISIONS			
P	LTR	DESCRIPTION	DATE	DWN	APVD
GP	00	-	SEE SHEET 1	-	-



6. COMPLIANT PIN DETAIL
 SCALE 10:1
 INSERTION/EXTRACTION FORCES
 MAXIMUM PUSH IN: 133.3N PER PIN [30 LBS]
 MINIMUM PUSH OUT: 44.4N PER PIN [10 LBS]

△ SOLDER TERMINATION AREA
 SCALE 40:1
 RECOMMENDED PRINTED CIRCUIT HOLE
 COMPLIANT PRESS FIT
 DRILLED HOLE: $\varnothing 1.15$ [.0453] $\pm .013$ [.0005]
 COPPER PLATE .025 [.0010] MIN
 TIN PLATE: .008 [.0003] MIN. (PER SURFACE)

ELCON FLATPAQ

THIS DRAWING IS A CONTROLLED DOCUMENT FOR TYCO ELECTRONICS CORPORATION. IT IS SUBJECT TO CHANGE AND THE CONTROLLING ENGINEERING ORGANIZATION SHOULD BE CONTACTED FOR THE LATEST REVISION.		DWN R. GRZYBOWSKI 02 JAN 2008	Tyco Electronics Harrisburg, PA 17105-3608	
DIMENSIONS: mm		CHK S. FLICKINGER 02 JAN 2008	NAME PIN CONNECTOR ASSY STRAIGHT, PRESS FIT FLATPAQ	
TOLERANCES UNLESS OTHERWISE SPECIFIED: 0 PLC \pm - 1 PLC ± 0.5 2 PLC ± 0.25 3 PLC \pm - 4 PLC \pm - ANGLES ± 3 FINISH		APVD S. FLICKINGER 02 JAN 2008	SIZE A200779	DRAWING NO C-6646380
MATERIAL	-	PRODUCT SPEC - APPLICATION SPEC - WEIGHT -	RESTRICTED TO -	SCALE 3:1 SHEET 3 OF 3 REV A
CUSTOMER DRAWING				

单击下面可查看定价，库存，交付和生命周期等信息

[>>TE Connectivity\(泰科\)](#)