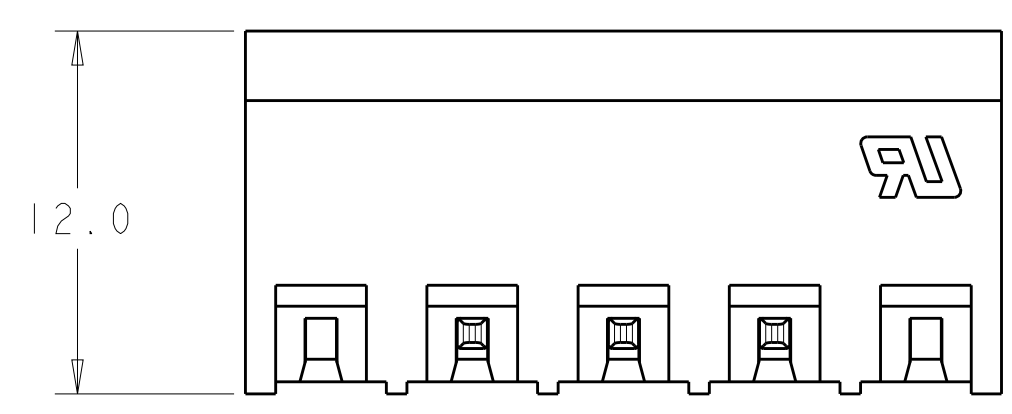
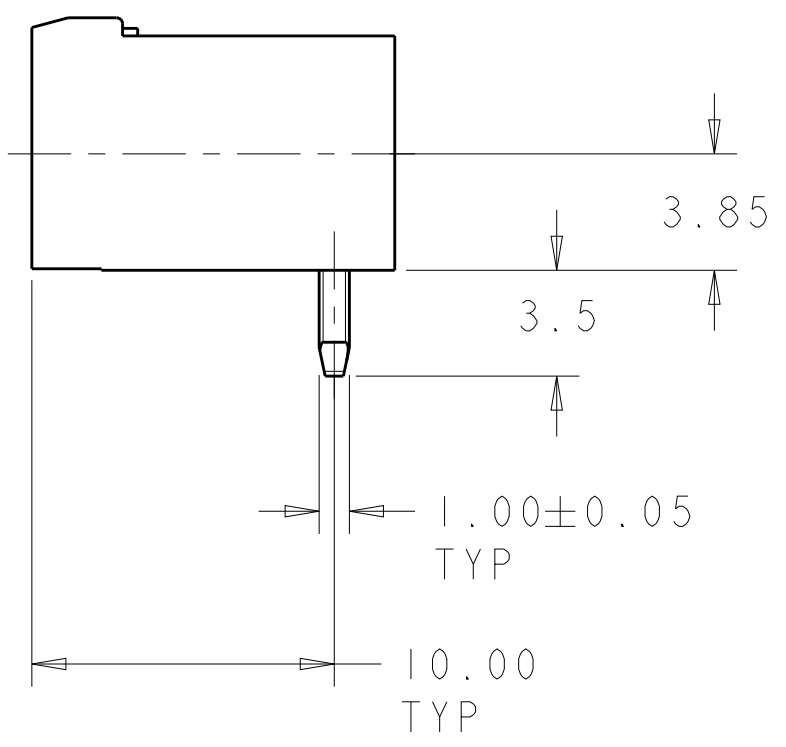
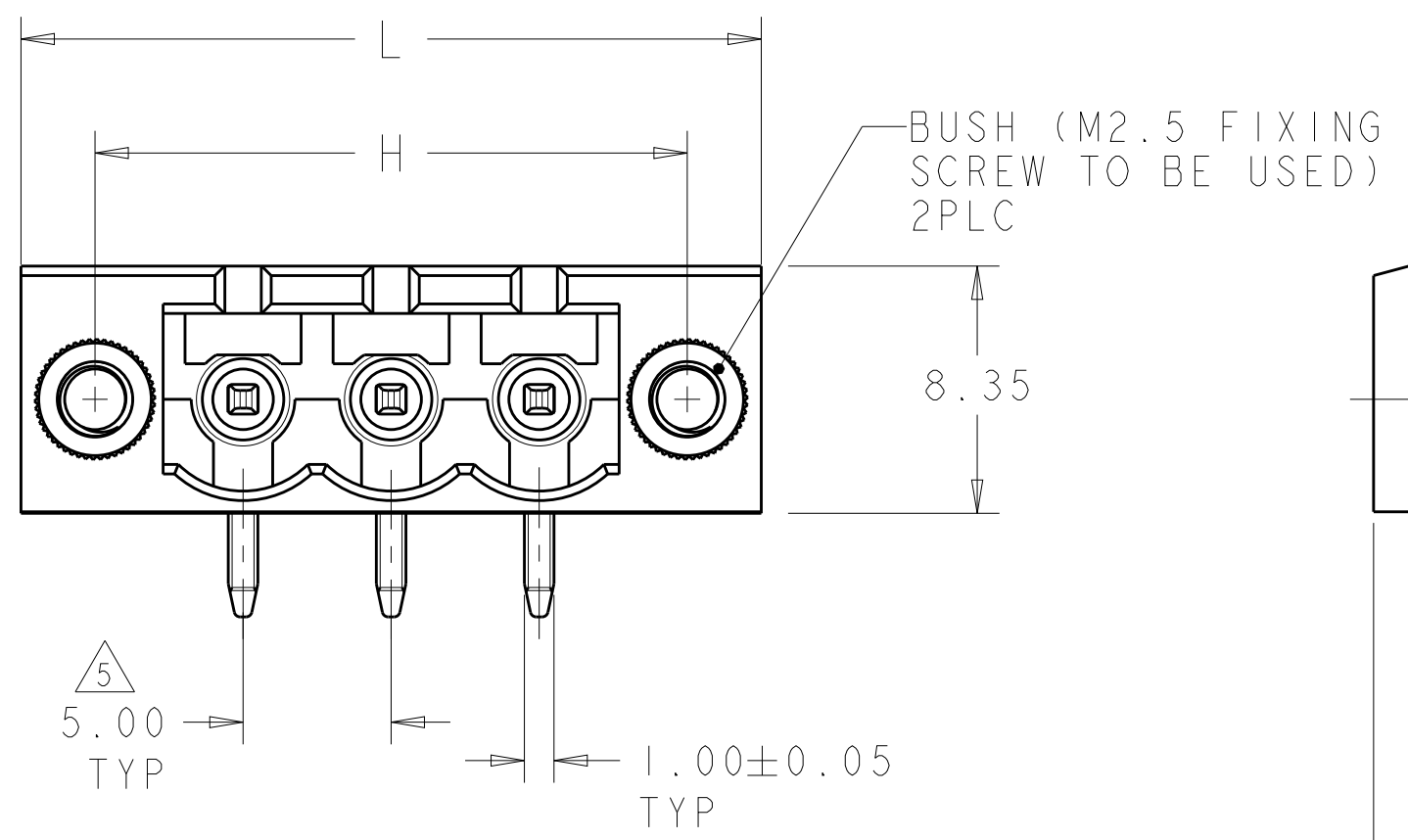
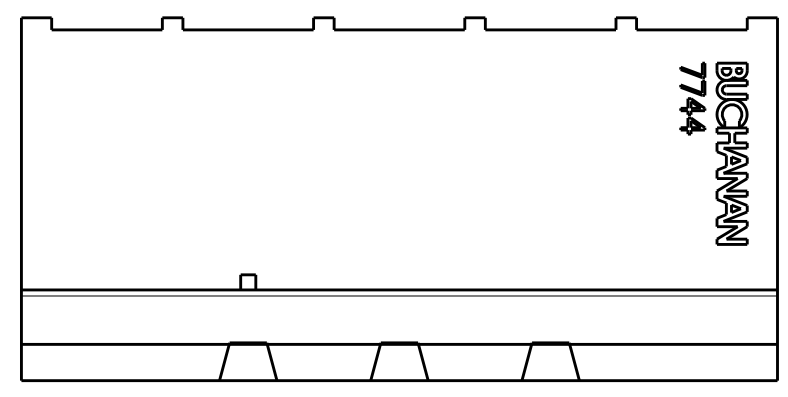
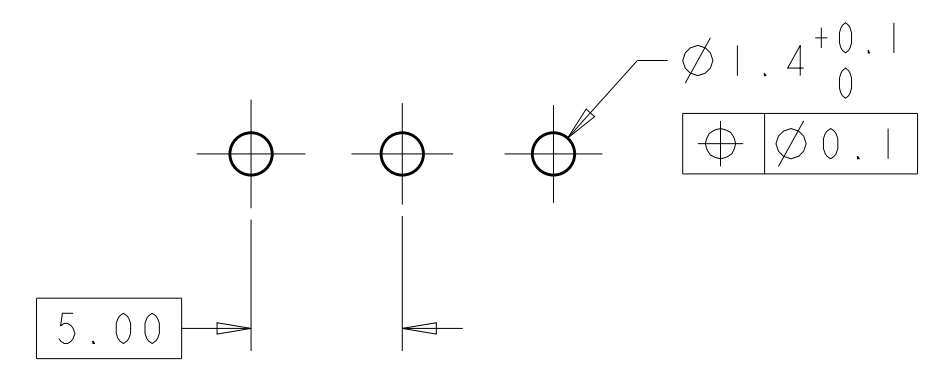


THIS DRAWING IS UNPUBLISHED. RELEASED FOR PUBLICATION 20  
 © COPYRIGHT 20 BY - ALL RIGHTS RESERVED.

REVISIONS				
P	LTR	DESCRIPTION	DATE	APVD
	D2	BUSH PART MATERIAL INFORMATION ADDED	10MAY2018	RK PS

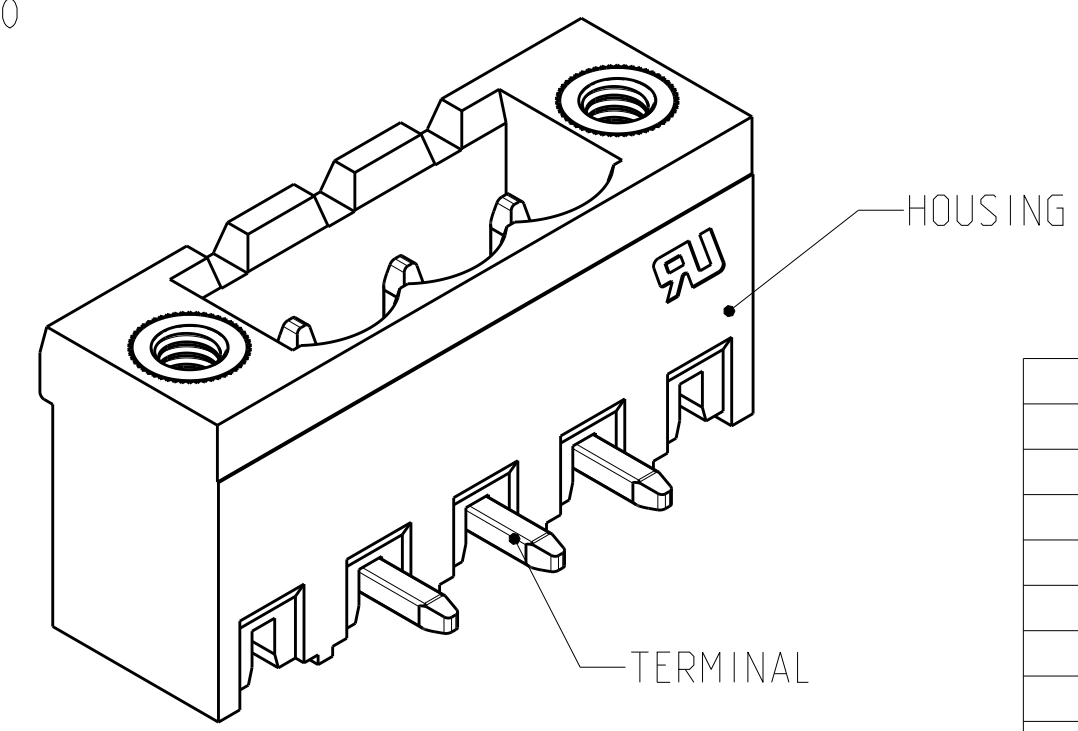


RECOMMENDED PC BOARD LAYOUT



NOTES:

- 1. MATERIALS AND FINISH:  
 HOUSING: PA 6-6, UL 94-V0, COLOR: GREEN.  
 TERMINAL: PHOSPHOR BRONZE, TIN PLATED.  
 BUSH : BRASS, NICKEL PLATED.
- 2. MECHANICAL  
 MAX. INSERTION FORCE PER POLE : 3.0 N  
 MIN. WITHDRAWAL FORCE PER POLE : 1.5 N  
 MIN. PC BOARD HOLES DIAMETER : 1.4 mm  
 MAX. PC BOARD THICKNESS : 2.4 mm
- 3. RECOGNIZED UNDER THE COMPONENT PROGRAM OF UNDERWRITERS LABORATORIES INC. FILE No. E60677.
- 4. LOGO SIZE AND LOCATION APPROXIMATELY AS SHOWN.
- 5. NOT CUMULATIVE TOLERANCE.
- 6. OPERATING TEMPERATURE RANGE -40°C TO +110°C
- 7. ELECTRICAL  
 WIRE RANGE : 12-30 AWG  
 MAX. VOLTAGE : 300 V  
 MAX CURRENT : 15 A  
 CONTACT RESISTANCE : <15 m Ohm  
 INSULATION RESISTANCE : >1000 M Ohm (500V DC)



796864-3 AS SHOWN

60.0	55.0	10	1-796864-0
55.0	50.0	9	796864-9
50.0	45.0	8	796864-8
45.0	40.0	7	796864-7
40.0	35.0	6	796864-6
35.0	30.0	5	796864-5
30.0	25.0	4	796864-4
25.0	20.0	3	796864-3
20.0	15.0	2	796864-2
L	H	NO. OF POSN	PART NUMBER

THIS DRAWING IS A CONTROLLED DOCUMENT.		DWN S. WELDON 09FEB2001	TE Connectivity	
DIMENSIONS: mm		CHK D. BIEVENOUR 09FEB2001		
TOLERANCES UNLESS OTHERWISE SPECIFIED:		APVD D. BIEVENOUR 09FEB2001	NAME	
0 PLC ±		PRODUCT SPEC	TERMINAL BLOCK HEADER ,90 DEG, WITH LOCKING SCREW FLANGE, PITCH 5.0mm	
1 PLC ±0.2		APPLICATION SPEC	SIZE	RESTRICTED TO
2 PLC ±0.15		WEIGHT	A200779	C-796864
3 PLC ±		CUSTOMER DRAWING	SCALE 4:1	SHEET 1 OF 1
4 PLC ±				REV D2
ANGLES ±2°				
FINISH				

单击下面可查看定价，库存，交付和生命周期等信息

[>>TE Connectivity\(泰科\)](#)