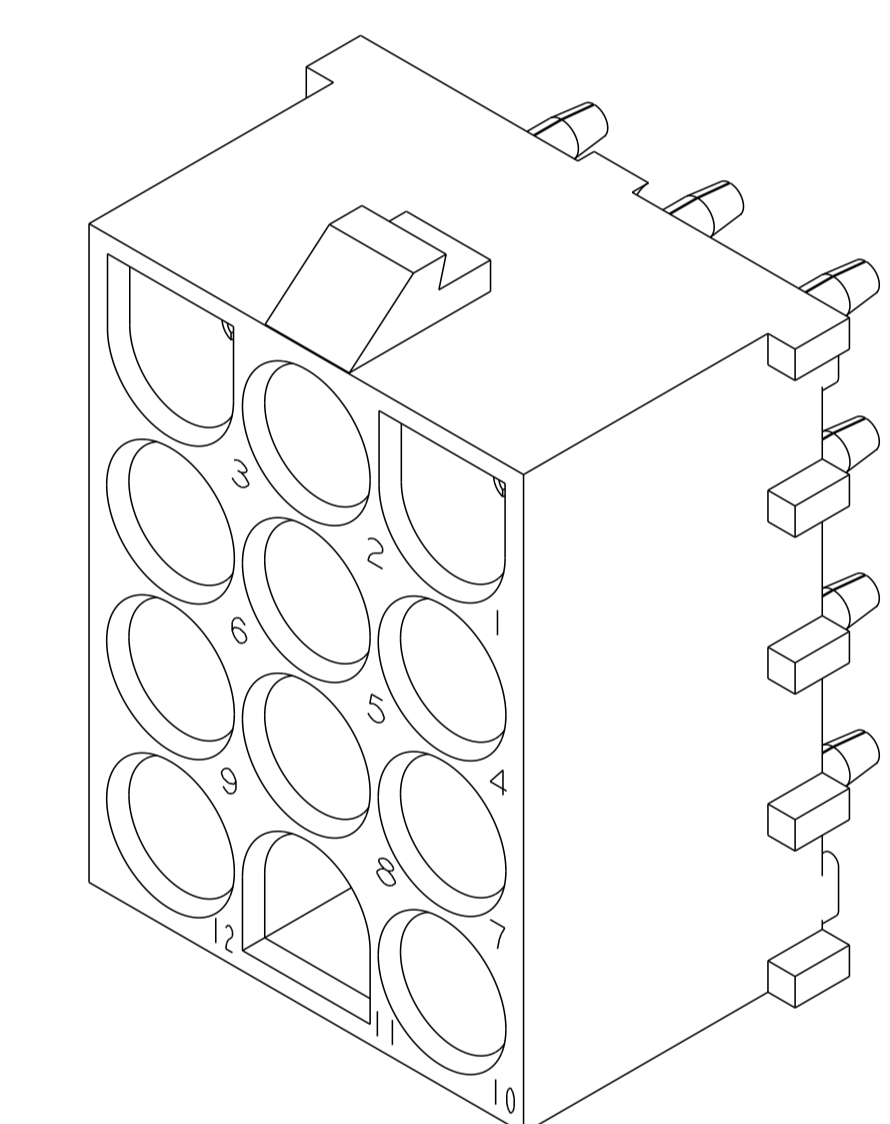
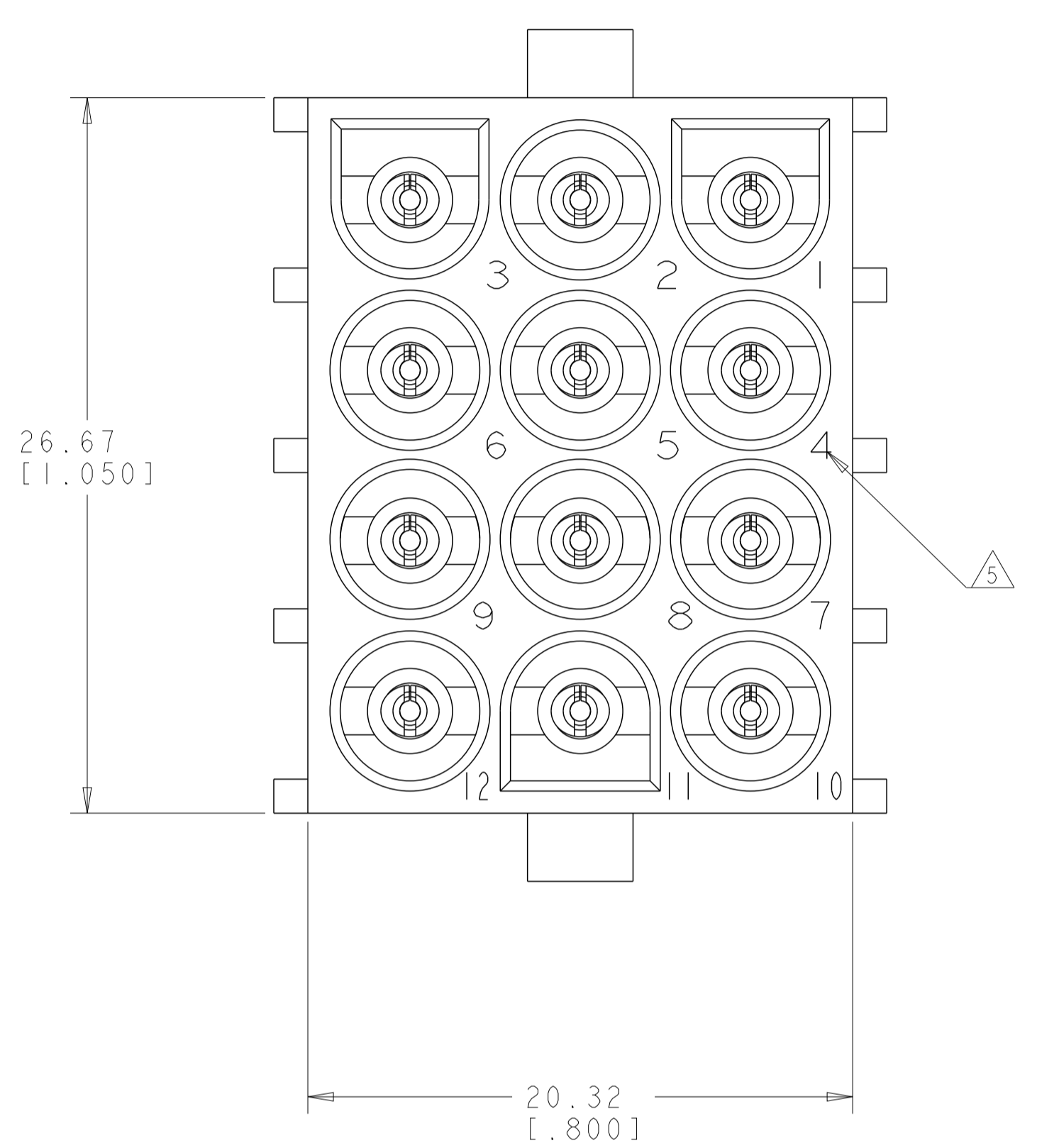
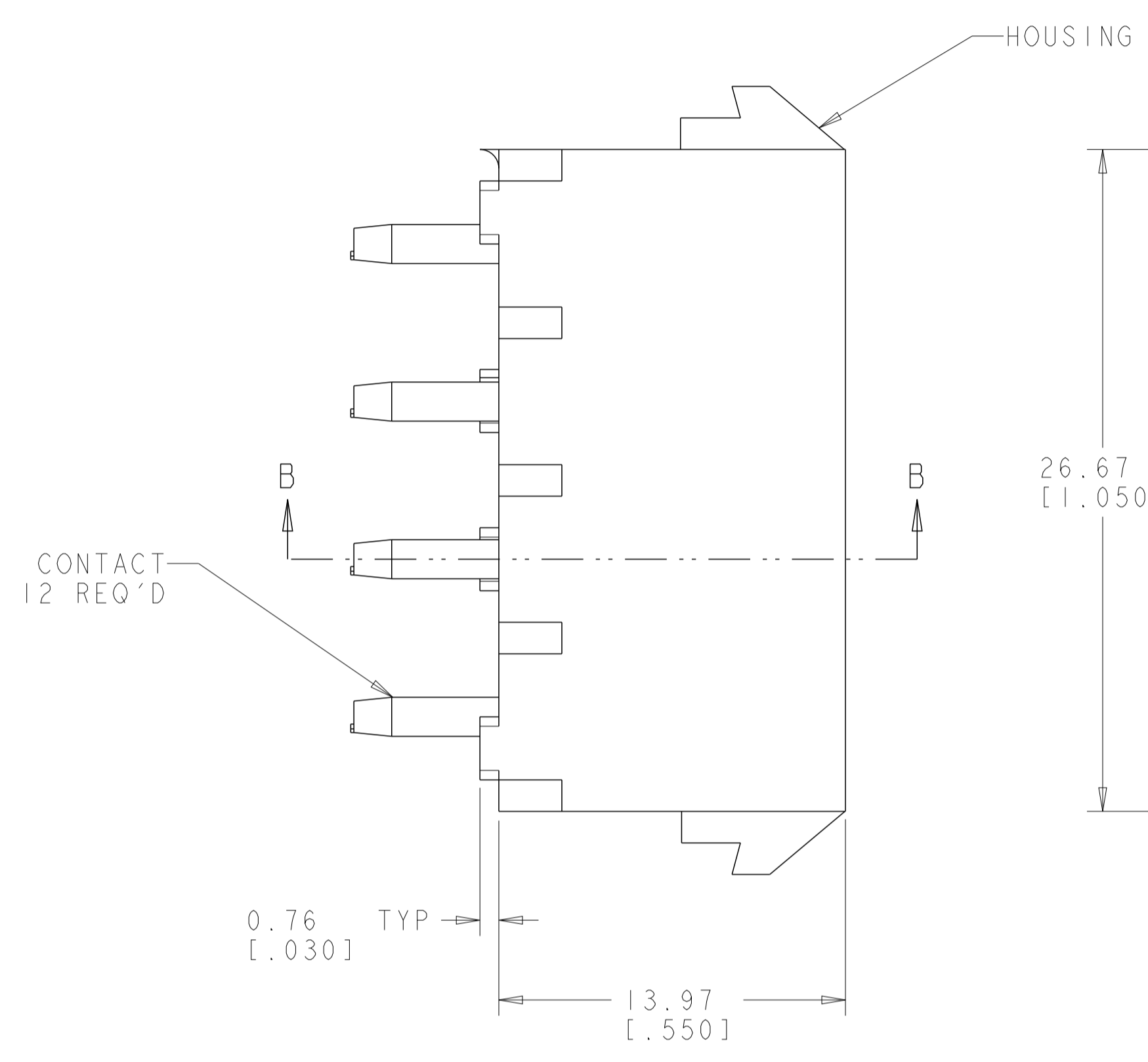
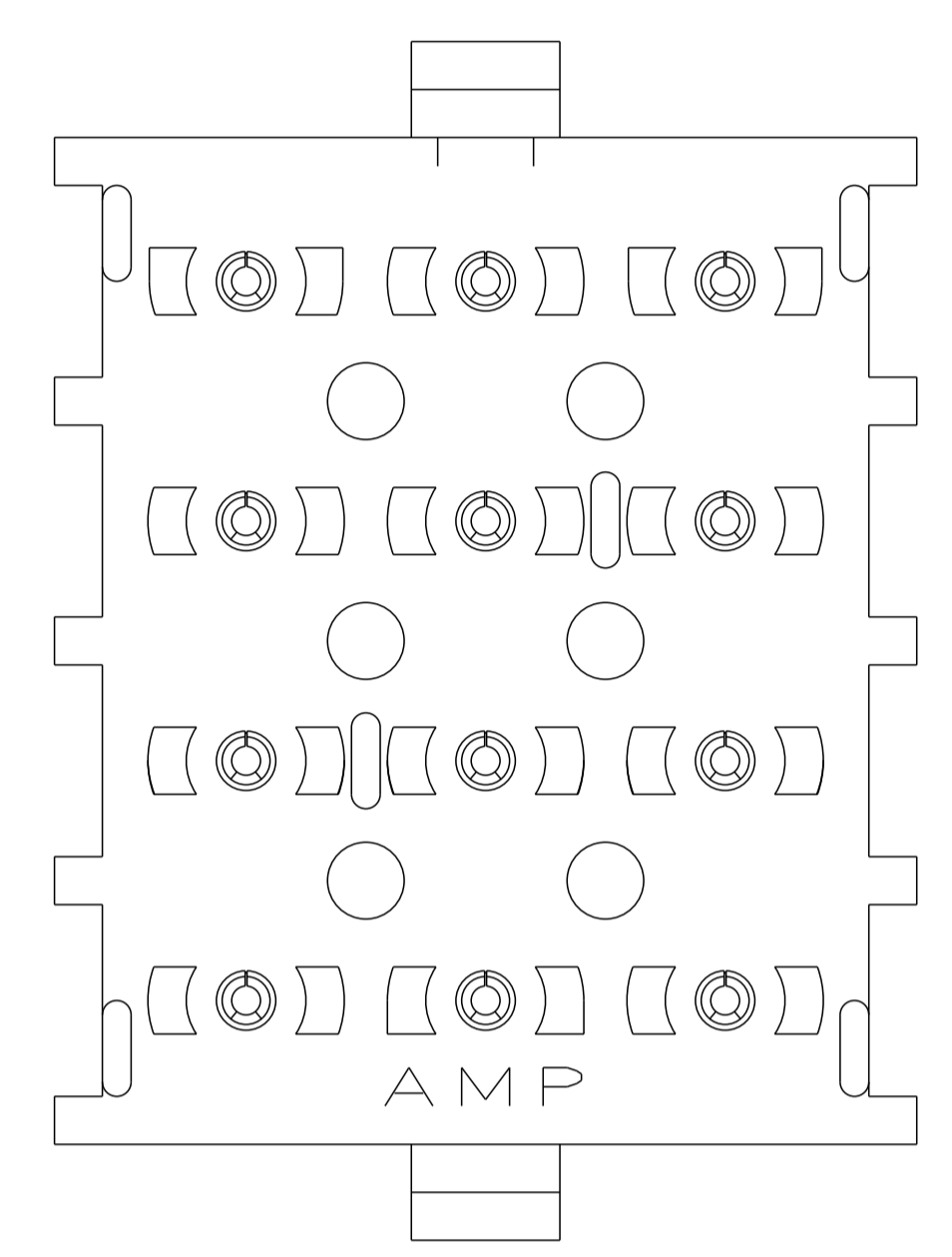
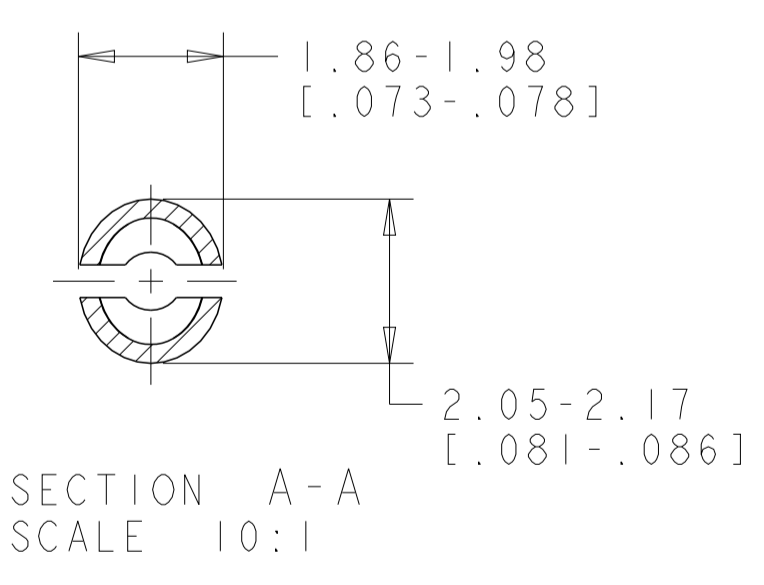
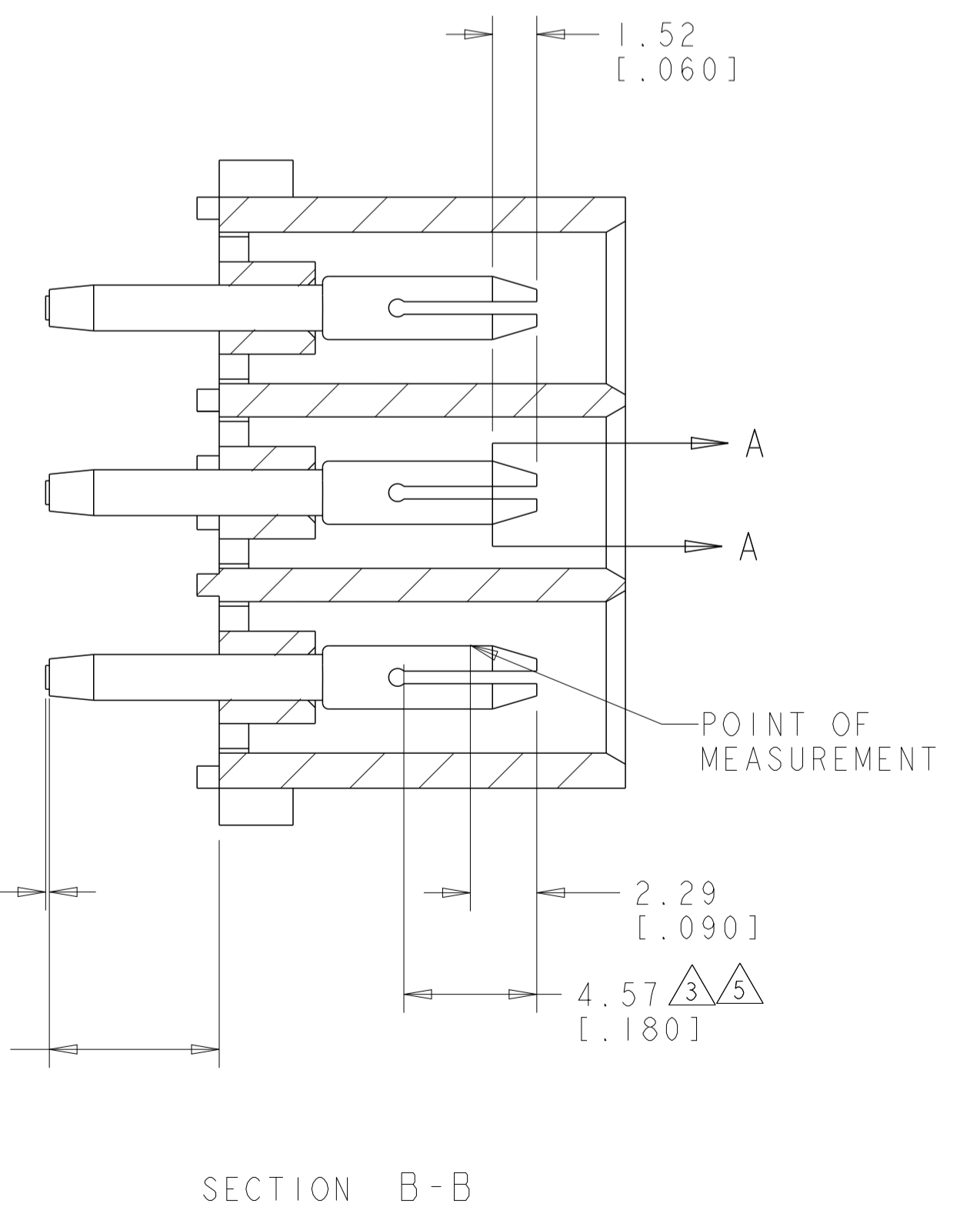
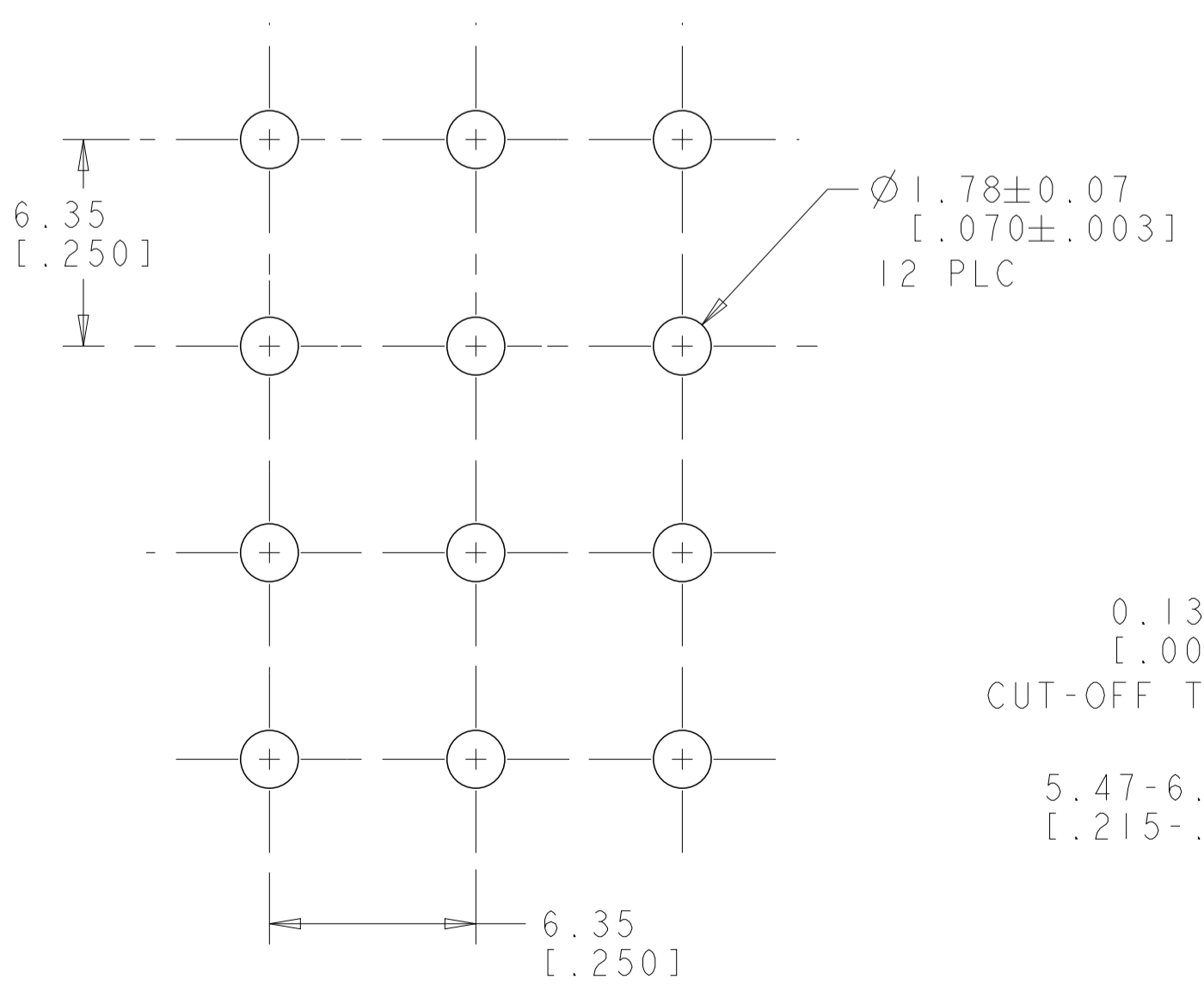


LOC		DIST		REVISIONS			
CM	00	P	LTN	DESCRIPTION	DATE	DWN	APVD
		M1		REVISED PER ECR-12-011660	04FEB2013	KH	TM

- MATES WITH HOUSING 350735.
- PARTS COMPLY TO AMP SOLDERABILITY SPECIFICATION 109-11-3.
- CONTACT IS PLATED OVERALL WITH 0.00127 [.000050] NICKEL, THEN 0.00076 [.000030] GOLD OVER CONTACT LENGTH INDICATED AND TIN LEAD ON SOLDER TAIL END.
- CIRCUIT IDENTIFICATION CHARACTERS ARE ADJACENT TO THE INDICATED CAVITIES, BUT LOCATION AND ORIENTATION MAY DIFFER FROM PRINT.
- CONTACT IS PLATED OVERALL WITH 0.00127 [.000050] NICKEL, THEN 0.00076 [.000030] GOLD OVER CONTACT LENGTH INDICATED AND MATTE TIN ON SOLDER TAIL END.
- DIMENSIONS IN BRACKETS ARE IN INCHES.
- SUPERSEDED BY 350737-4



3 DIMENSIONAL MODEL
SCALE 4:1



SECTION A-A
SCALE 10:1

△7	PIN CONTACT MATERIAL AND FINISH	HOUSING MATERIAL AND COLOR	PART NUMBER
	PHOSPOR BRONZE, GOLD △3	NYLON, UL94V-0, NATURAL	350737-4
	PHOSPOR BRONZE, GOLD △3	NYLON, UL94V-0, NATURAL	350737-2
	PHOSPOR BRONZE, PRE-TIN	NYLON, UL94V-0, NATURAL	350737-1

RECOMMENDED MOUNTING HOLE PATTERN FOR 1.57 [.062] THICK P.C. BOARD HOLE THAT CORRESPONDS TO REMOVED CONTACT CAN BE OMITTED

THIS DRAWING IS A CONTROLLED DOCUMENT.		DWN: K. WHITAKER 05OCT2005		TE Connectivity	
DIMENSIONS: mm [INCHES]		CHK: S. RIDGILL 05OCT2005			
TOLERANCES UNLESS OTHERWISE SPECIFIED:		APVD: S. RIDGILL 05OCT2005		NAME: PIN HEADER ASSEMBLY, 12 CIRCUIT, UNIVERSAL MATE-N-LOK(TM)	
0 PLC ±		PRODUCT SPEC		SIZE: CAGE CODE: DRAWING NO: A100779C=350737	
1 PLC ±		APPLICATION SPEC		RESTRICTED TO	
2 PLC ±		WEIGHT		SCALE: 1:1 SHEET 1 OF 1 REV: M1	
3 PLC ±		CUSTOMER DRAWING			
4 PLC ±					
ANGLES: 40°/30°					
FINISH: SEE TABLE					

单击下面可查看定价，库存，交付和生命周期等信息

[>>TE Connectivity\(泰科\)](#)