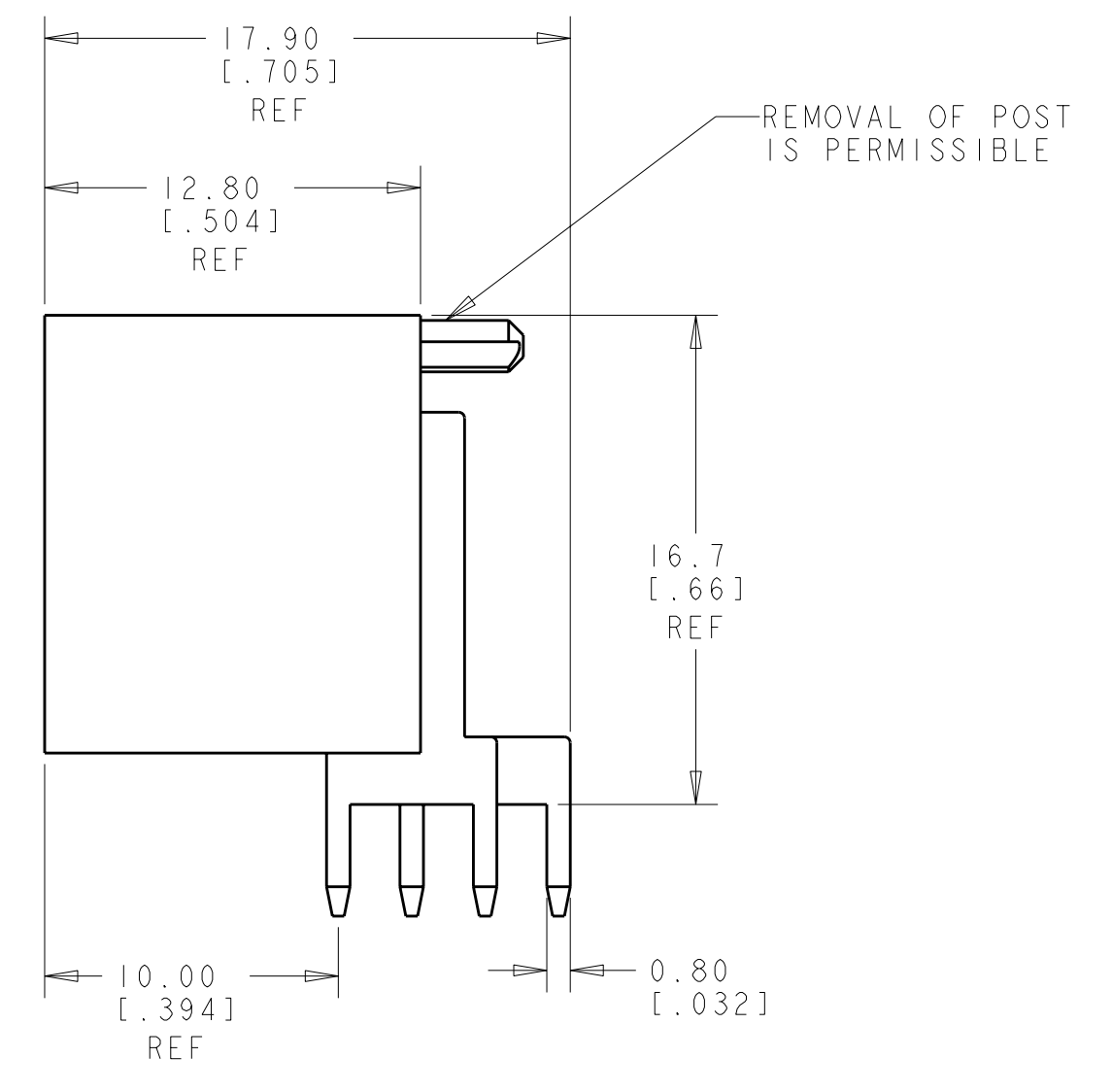
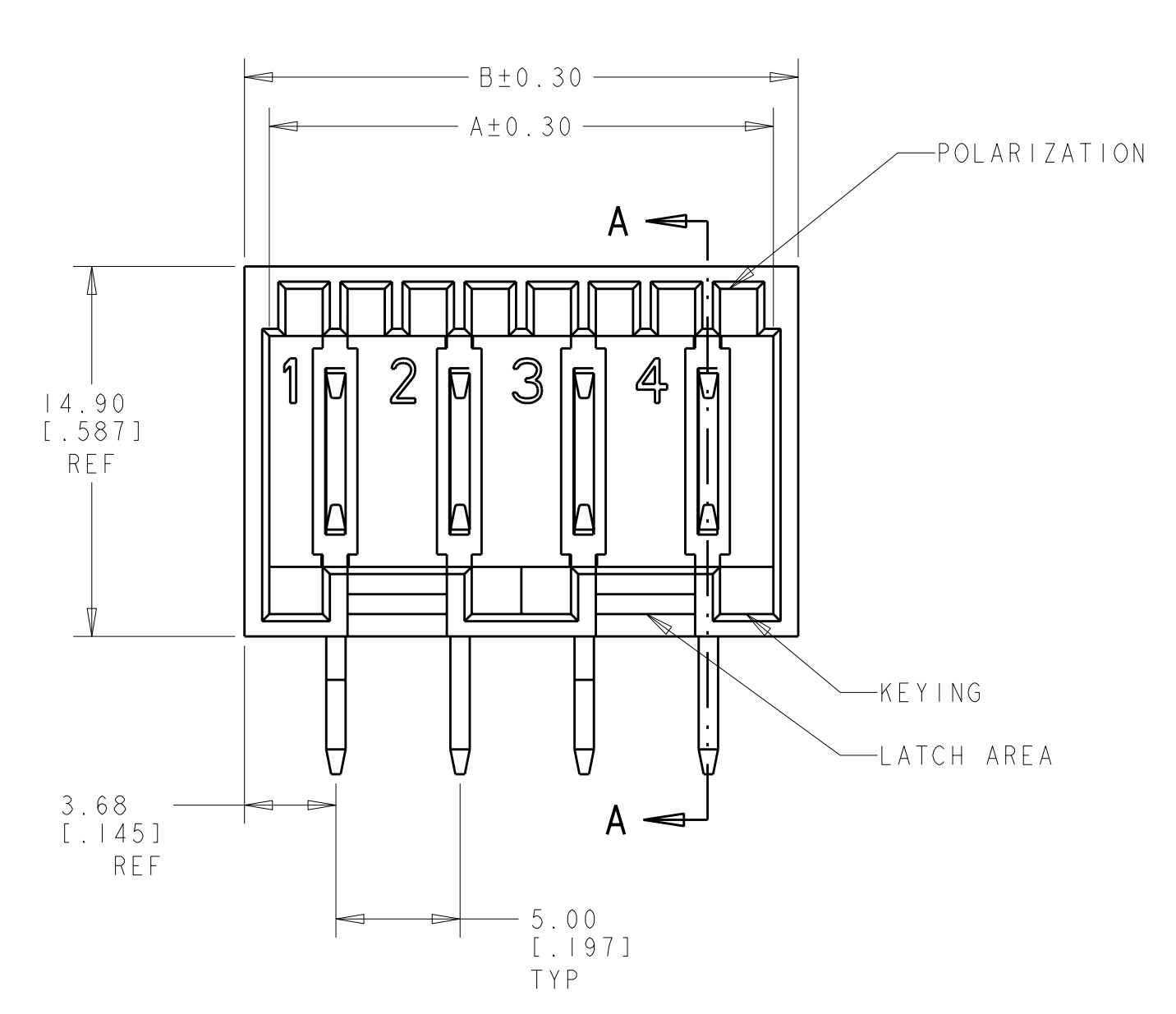
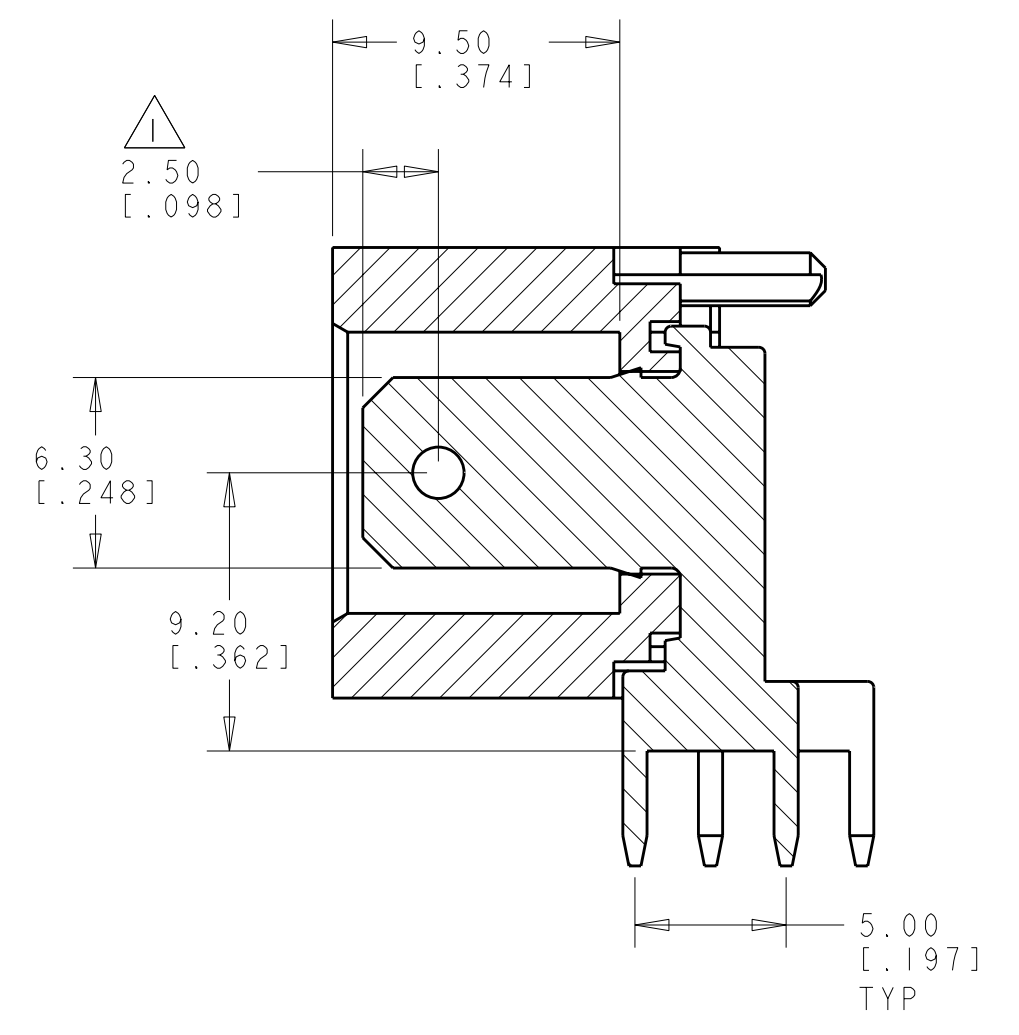
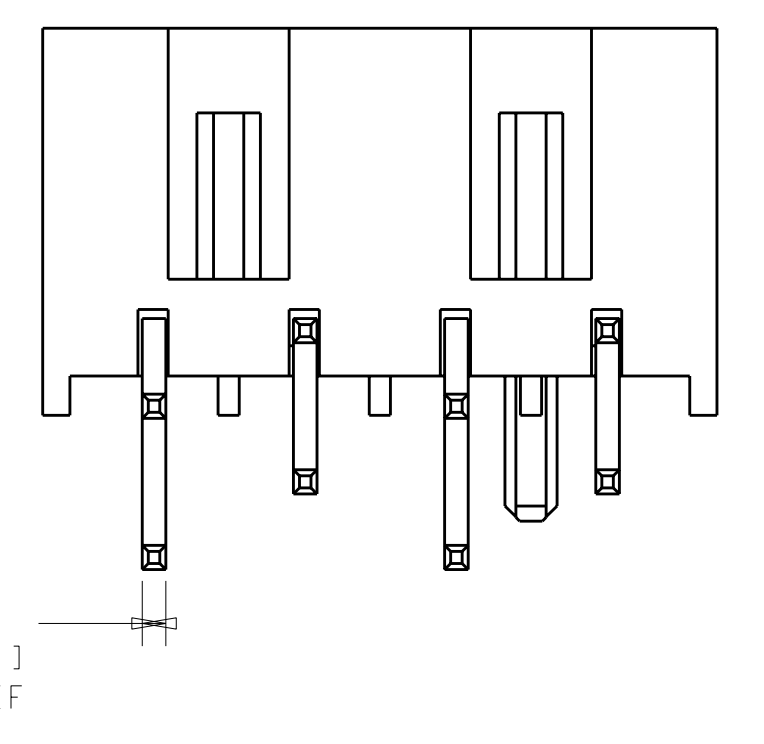


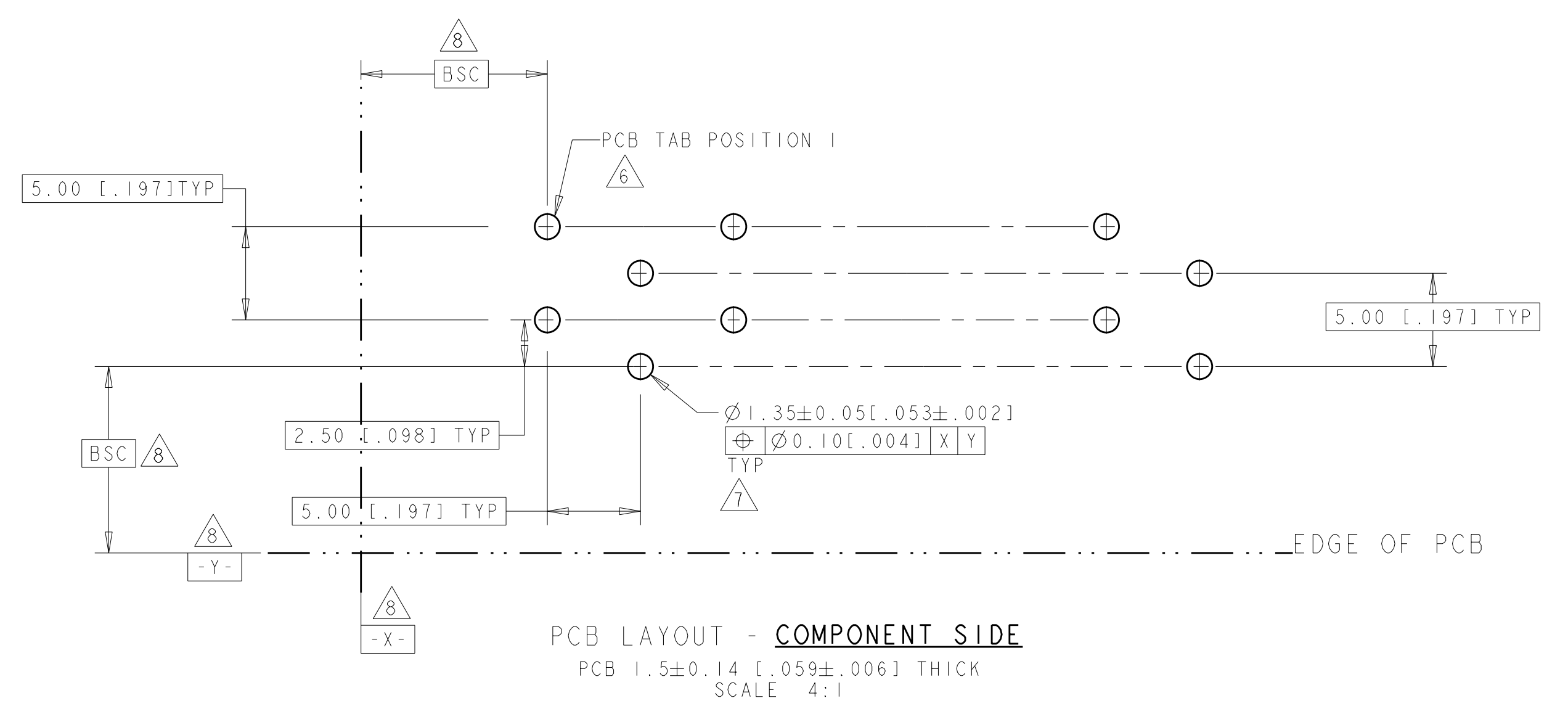
LOC	DIST	REVISIONS			
P	LT#	DESCRIPTION	DATE	DWN	APVD
AF	50	A	REL PER ECR 09-001864	02FEB09	JR RL



1. HOUSING HAS RAST 5 COMPLIANT KEYING, LATCHING, AND POLARIZATION. TAB IS 6.3 x 0.8 [.250 x .032], HOWEVER, THE LOCATION OF THE TAB HOLE DOES NOT MEET DIN 46244.
2. POSSIBLE MATING CONNECTOR FAMILIES INCLUDE POSITIVE-LOCK RAST 5, STANDARD TIMER RAST 5, MULTIFITTING, MULTIFITTING MKII, AND MONO-SHAPE TAB CONNECTORS.
3. SEE SHEET 2 FOR AVAILABLE CONFIGURATIONS.
4. MATERIAL: HOUSING, NYLON 66, UL 94V-0. CONTACT, BRASS, 0.8 mm THICK.
5. FINISH: CONTACTS, 3.8 μm MIN TIN OVER 1.3 μm MIN NICKEL.
6. PCB TABS INSERTED IN A STAGGERED PATTERN BEGINNING WITH POSITION 1.
7. SELECTED HOLES MAY BE 1.05+0.05/-0.00 DIA [.041+ .002/- .001 DIA] FOR IMPROVED (PRESS-FIT) RETENTION TO P.C.B. PRIOR TO SOLDERING.
8. DATUM AND BASIC DIMENSION ESTABLISHED BY CUSTOMER.
9. PRODUCT QUALIFICATION PER 108-2183



SECTION A-A
SCALE 4:1



PCB LAYOUT - COMPONENT SIDE
PCB 1.5±0.14 [.059±.006] THICK
SCALE 4:1

47.3	45.3	9
42.3	40.3	8
37.3	35.3	7
32.3	30.3	6
27.3	25.3	5
22.3	20.3	4
17.3	15.3	3
12.3	10.3	2
B	A	NO. OF POS.

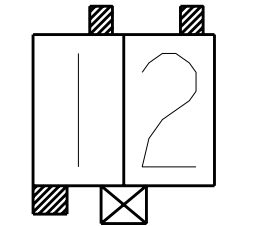
DIMENSIONS: mm [INCHES] TOLERANCES UNLESS OTHERWISE SPECIFIED: 9 PLC ± 8 PLC ±0.25(.010) 5 PLC ± 4 PLC ± ANGLES ±2°		DWN: RAGHAVENDRA 30DEC2008 CHN: JEFF RUTH 30DEC2008 APVD: Roy London 30DEC2008 PRODUCT SPEC: 108-2183 APPLICATION SPEC:		Tyco Electronics Harrisburg, PA 17105-3608	
MATERIAL: 5 FINISH: 6		WEIGHT: - CUSTOMER DRAWING		NAME: ASSEMBLY, POSITIVE-LOCK, RAST 5 HEADER, RIGHT ANGLE, GWT SIZE: A 00779 C=1969234 SCALE: 4:1 SHEET 1 OF 3 REV A	

THIS DRAWING IS UNPUBLISHED. RELEASED FOR PUBLICATION 20
 © COPYRIGHT 20 BY TYCO ELECTRONICS CORPORATION. ALL RIGHTS RESERVED.

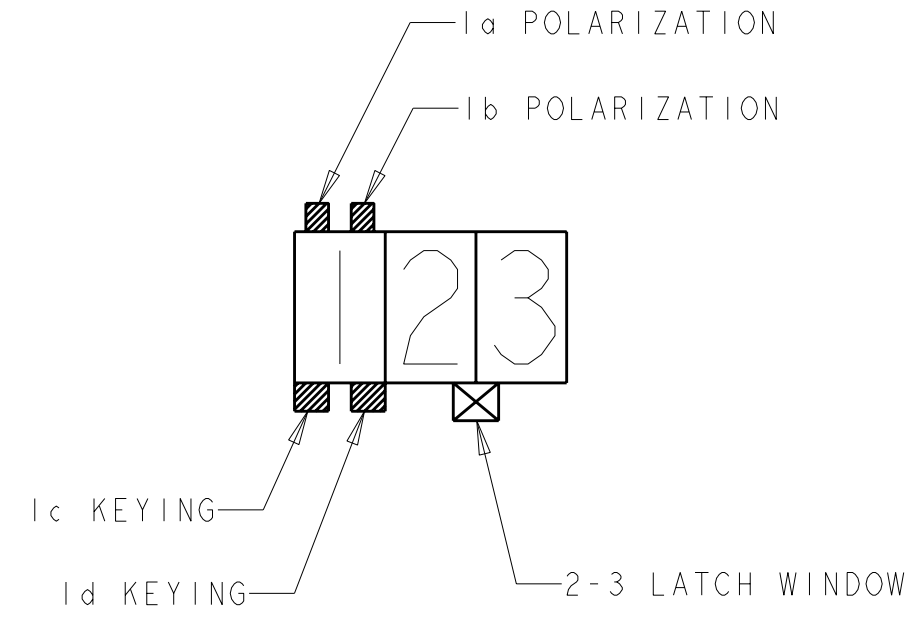
LOC	DIST	REVISIONS			
		REV	DATE	BY	APPD
AF	50	-	-	-	-
		-	-	-	-
		-	-	-	-
		-	-	-	-

1-2	1c	1b, 2b	2	02-1	5-1969234-2
LATCH WINDOWS	KEYING	POLAR.	NO. OF POS.	RAST 5 DESIG.	PART NUMBER
<small>THIS DRAWING IS UNPUBLISHED. RELEASED FOR PUBLICATION 20. THIS IS SUBJECT TO CHANGE WITHOUT NOTICE AND WITHOUT OBLIGATION. SHOULD BE CONTACTED FOR THE LATEST REVISION.</small>		DWN RAGHAVENDRA 30DEC2008	Tyco Electronics Harrisburg, PA 17105-3608		
DIMENSIONS: mm [INCHES]		TOLERANCES UNLESS OTHERWISE SPECIFIED: 0 PLC ± 1 PLC ± 2 PLC ±0.25(.010) 3 PLC ± 4 PLC ± ANGLES ±2°	CBY JEFF RUTH 30DEC2008 APVD Ray London PRODUCT SPEC 108-2183 APPLICATION SPEC	NAME ASSEMBLY, POSITIVE-LOCK, RAST 5 HEADER, RIGHT ANGLE, GWT	
MATERIAL	FINISH	WEIGHT	SIZE	CAGE CODE	DRAWING NO
-	-	-	A	00779	1969234
CUSTOMER DRAWING			SCALE	SHEET	REV
			4:1	2 OF 3	A

LOC	DIST	REVISIONS					
		P	LTB	DESCRIPTION	DATE	DWN	APVD
AF	50	-	-	SEE SHEET 1	-	-	-



5-1969234-2



PICTORIAL VIEW KEY

<small>THIS DRAWING IS UNPUBLISHED. RELEASED FOR PUBLICATION 20. THIS DRAWING IS UNPUBLISHED. RELEASED FOR PUBLICATION 20. THIS DRAWING IS UNPUBLISHED. RELEASED FOR PUBLICATION 20.</small> <small>THIS IS SUBJECT TO CHANGE WITHOUT NOTICE. THE USER SHALL BE RESPONSIBLE FOR VERIFYING THE DIMENSIONS AND TOLERANCES OF THE PARTS. CONTACT THE SUPPLIER FOR THE LATEST REVISION.</small>		DWN RAGHAVENDRA 30DEC2008	Tyco Electronics Harrisburg, PA 17105-3608
DIMENSIONS: mm [INCHES]		CBY JEFF RUTH 30DEC2008 APVD Ray London 30DEC2008 NAME ASSEMBLY, POSITIVE-LOCK, RAST 5 HEADER, RIGHT ANGLE, GWT	
TOLERANCES UNLESS OTHERWISE SPECIFIED: 9 PLC ± 1 PLC ± 2 PLC ±0.25(.010) 3 PLC ± 4 PLC ± ANGLES ±2° FINISH		PRODUCT SPEC 108-2183 APPLICATION SPEC	SIZE CAGE CODE DRAWING NO A 00779 C=1969234 RESTRICTED TO
MATERIAL - FINISH -		WEIGHT - CUSTOMER DRAWING	SCALE 4:1 SHEET 3 OF 3 REV A

单击下面可查看定价，库存，交付和生命周期等信息

[>>TE Connectivity\(泰科\)](#)