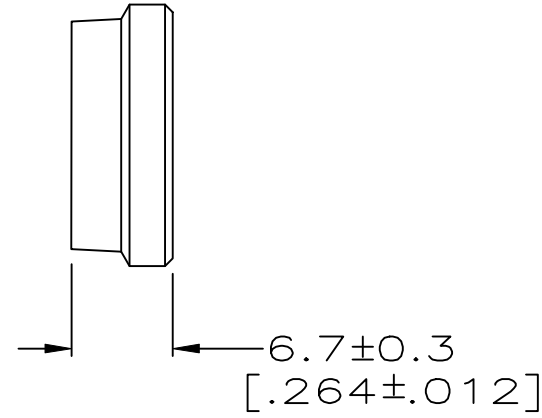
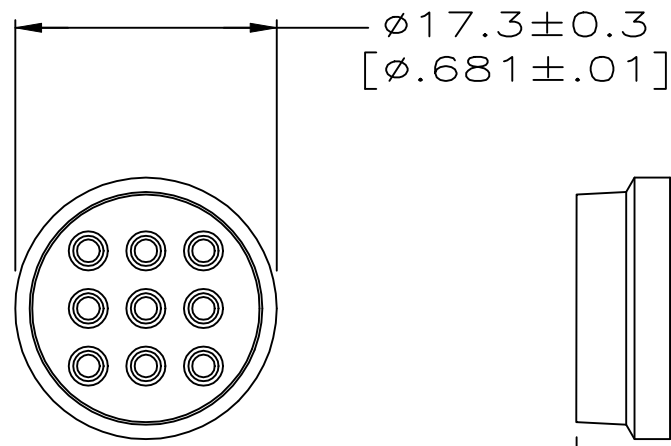
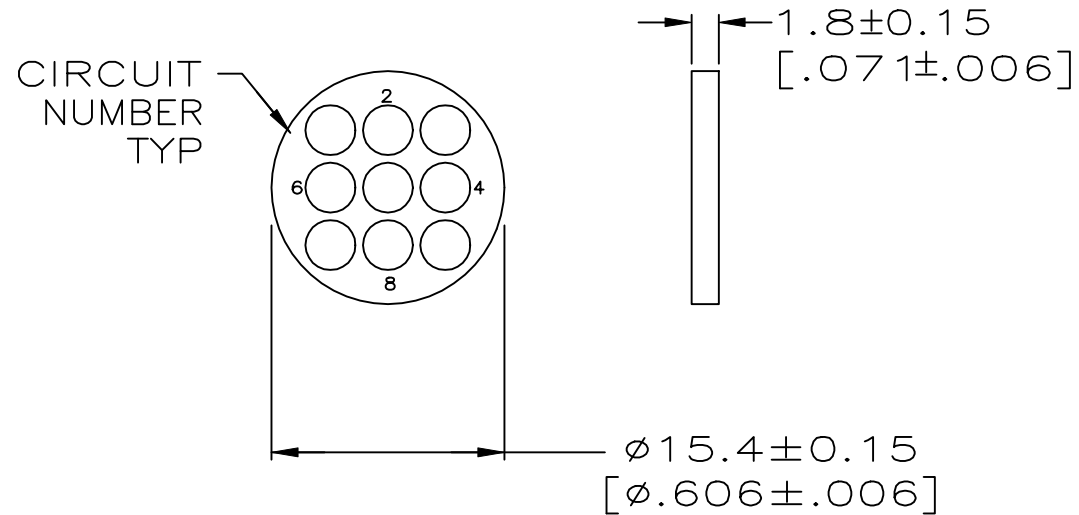


REVISIONS

P	LTR	DESCRIPTION	DATE	DWN	APVD
A		REV PER EC 0002-187-96	23FEB96	BC	AF
B		REV PER ECR-18-000581	23JAN2018	RS	MZ



SEAL  
MATERIAL: SILICON, BLACK  
QTY=1



PRESSURE PLATE  
MATERIAL: NYLON, BLACK  
QTY=1

- INSULATION RANGE:  $\phi 1.90$  [ $\phi 0.075$ ] TO  $\phi 2.54$  [ $\phi 0.100$ ]
- FOR USE WITH PIN CONTACTS.

213926-1

PART NUMBER

THIS DRAWING IS A CONTROLLED DOCUMENT.		DWN W.G.LENKER 09 OCT 95	<b>STE</b> TE Connectivity Ltd.															
DIMENSIONS: mm [INCHES]		CHK R.STONE 11 OCT 95																
TOLERANCES UNLESS OTHERWISE SPECIFIED:		APVD A.FRANTUM 11 OCT 95	NAME SEAL KIT, R.H., UNASSEMBLED, SIZE 13-9, CPC															
<table border="0"> <tr><td>0 PLC</td><td>± -</td></tr> <tr><td>1 PLC</td><td>± -</td></tr> <tr><td>2 PLC</td><td>± -</td></tr> <tr><td>3 PLC</td><td>± -</td></tr> <tr><td>4 PLC</td><td>± -</td></tr> <tr><td>ANGLES</td><td>± -</td></tr> </table>		0 PLC	± -	1 PLC	± -	2 PLC	± -	3 PLC	± -	4 PLC	± -	ANGLES	± -	PRODUCT SPEC 108-1579	SIZE	CAGE CODE	DRAWING NO	RESTRICTED TO
0 PLC	± -																	
1 PLC	± -																	
2 PLC	± -																	
3 PLC	± -																	
4 PLC	± -																	
ANGLES	± -																	
MATERIAL SEE CALLOUTS		FINISH -	—	A300779	C=213926	—												
CUSTOMER DRAWING			SCALE 2:1	SHEET 1 OF 1	REV B													

单击下面可查看定价，库存，交付和生命周期等信息

[>>TE Connectivity\(泰科\)](#)