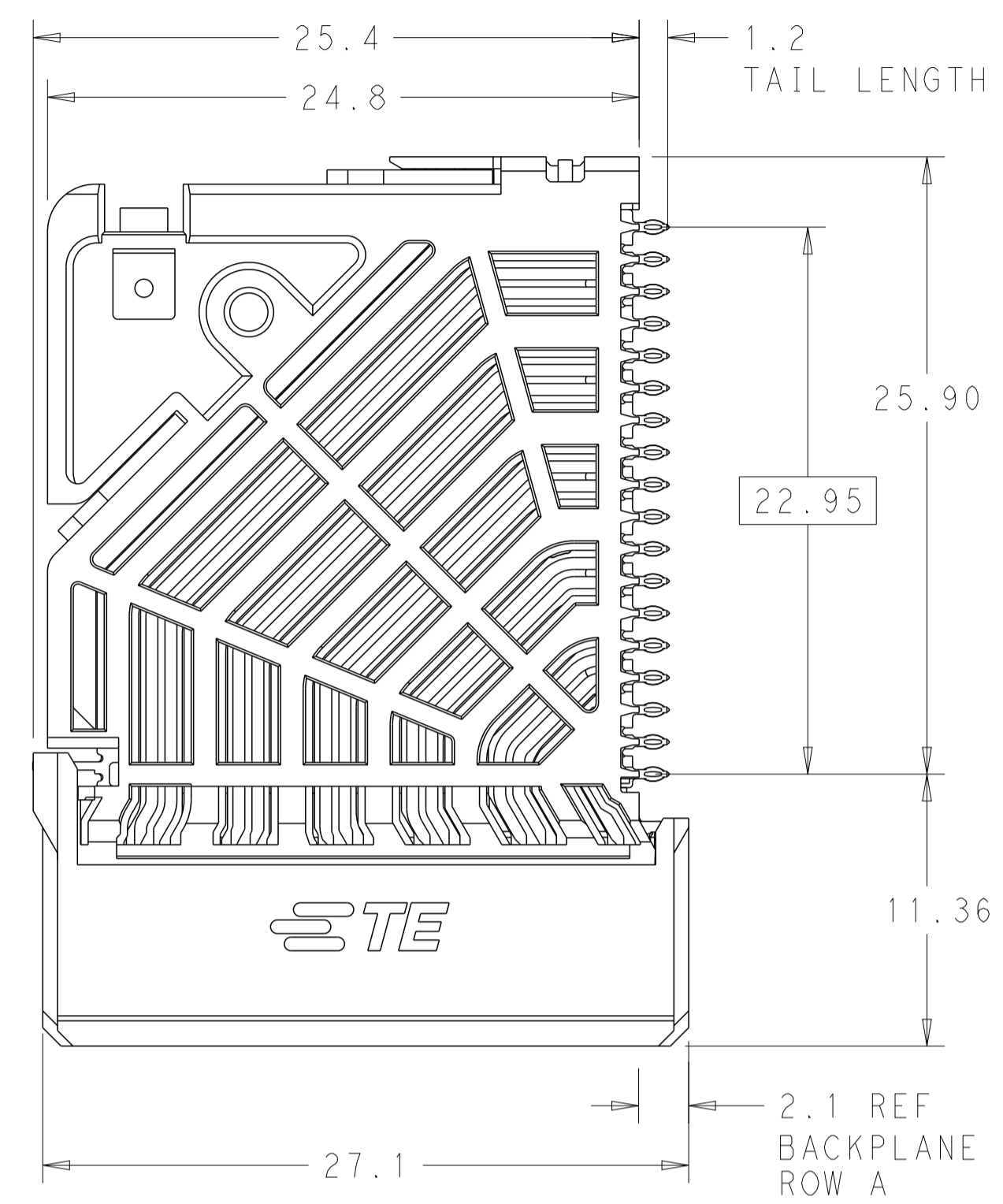
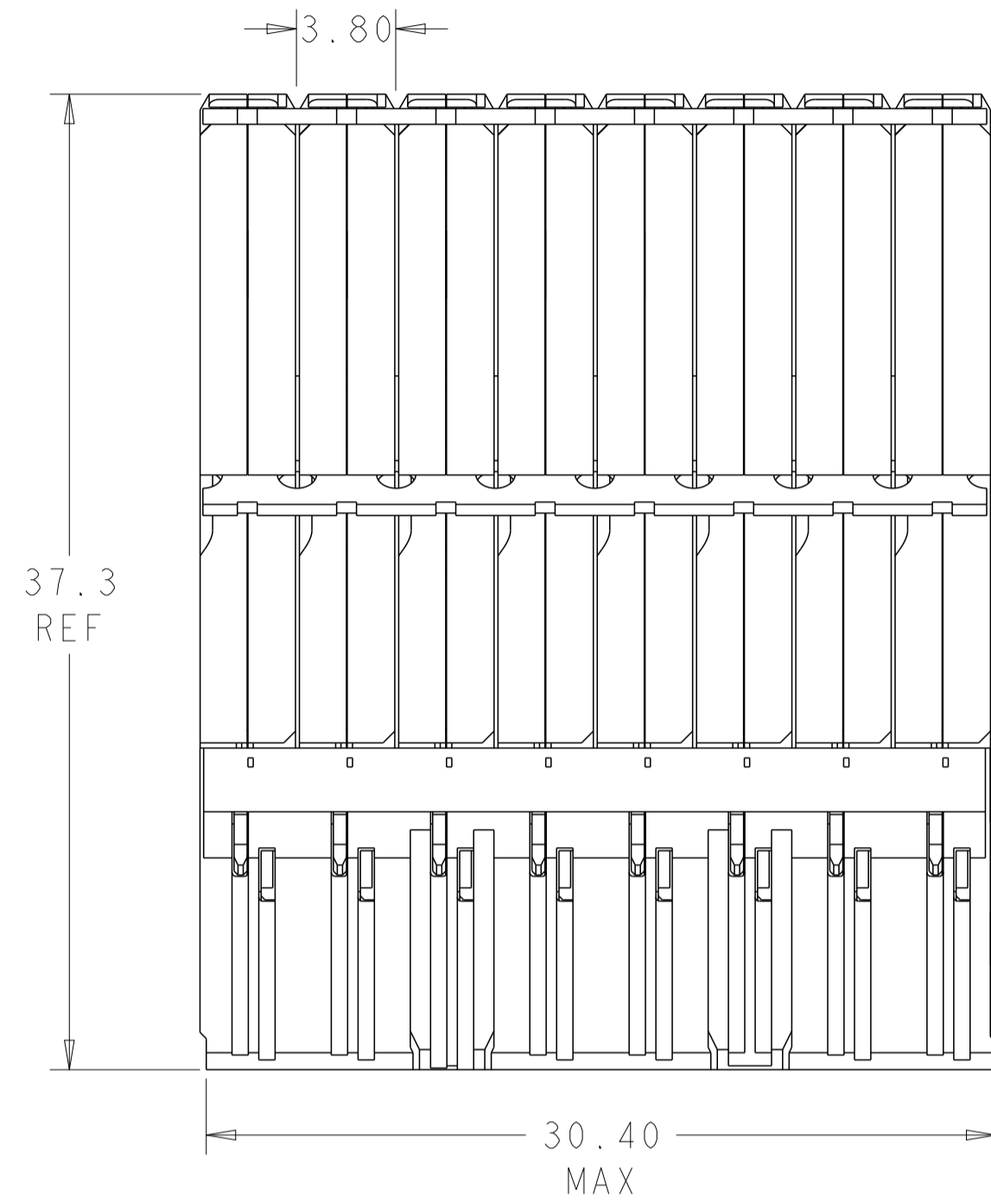
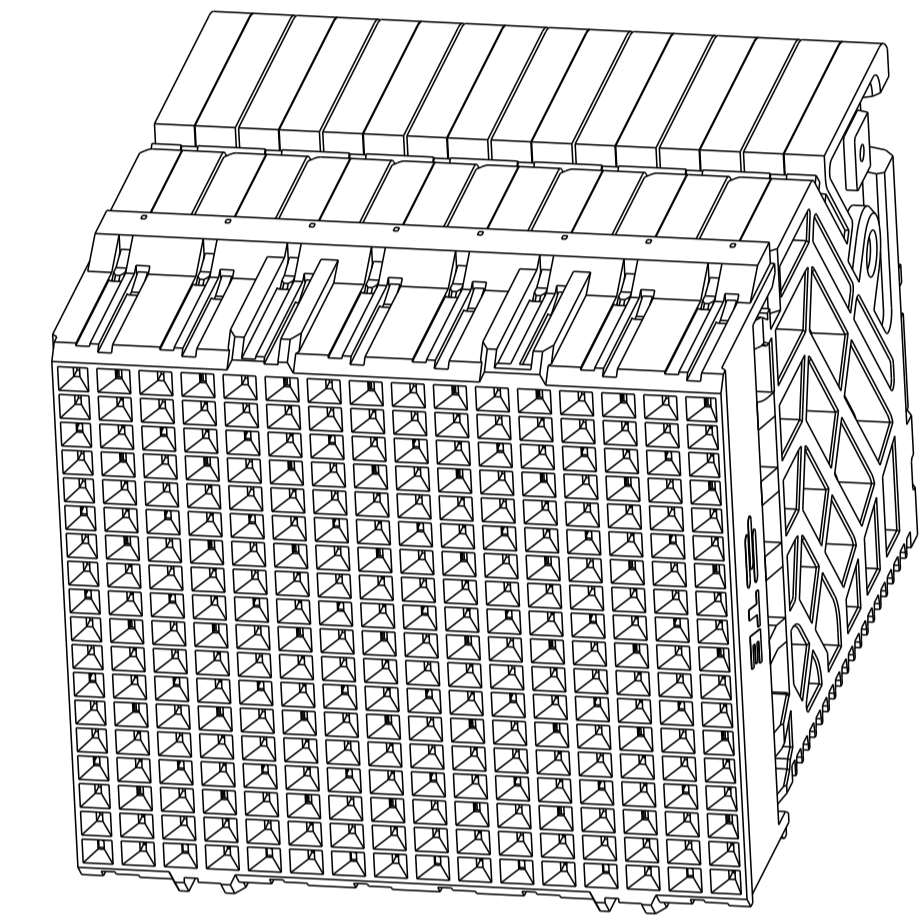


REVISIONS				
P	LTN	DESCRIPTION	DATE	APVD
E		REVISED PER ECO-15-012351	03SEP2015	AP SY



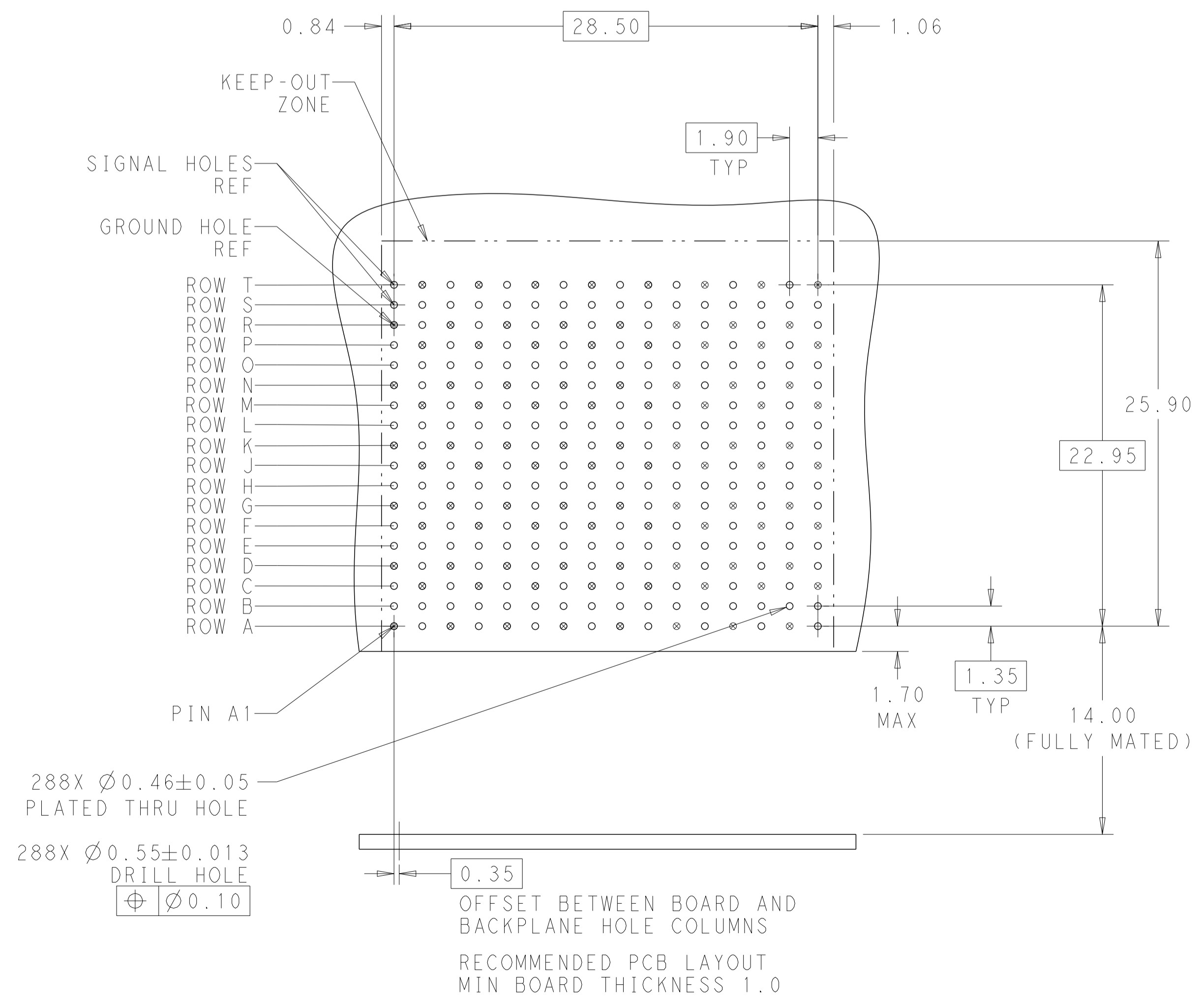
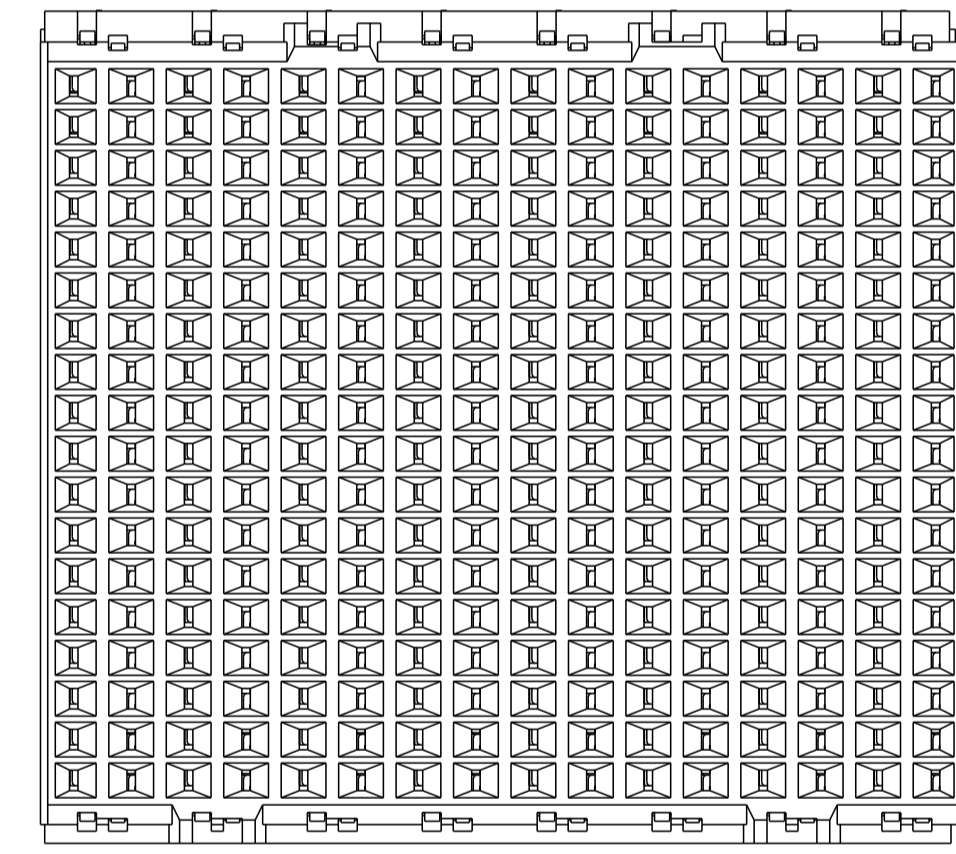
⚠ MATERIAL:
 HOUSING: LCP, GLASS FILLED, UL94V-0.
 TERMINALS: HIGH PERFORMANCE COPPER ALLOY.

⚠ FINISH:
 30µ" SELECTIVE GOLD IN CONTACT AREA. SELECTIVE TIN
 ON PCB TAILS, NICKEL OVERALL.



SCALE 3:1

REFER TO WWW.TE.COM
 FOR PRODUCT AVAILABILITY



THIS DRAWING IS A CONTROLLED DOCUMENT.		OWN J.K. SHOBER 04MAR2011	NONE		2007744-1	
DIMENSIONS:		CHK D. DIXON 04MAR2011	KEY POSITION		PART NUMBER	
TOLERANCES UNLESS OTHERWISE SPECIFIED:		APVD D. DIXON 04MAR2011	FINISH		TE Connectivity	
mm		NAME	IMPACT, 6 PAIR, DAUGHTERCARD 16 COLUMN, UNGUIDED, SIGNAL MODULE, 0.46 EYELET			
0 PLC ±		PRODUCT SPEC	SIZE CAGE CODE DRAWING NO RESTRICTED TO			
1 PLC ±0.2		APPLICATION SPEC	A100779C=2007744			
2 PLC ±0.13		WEIGHT	Customer Drawing			
3 PLC ±		SCALE	4:1			
4 PLC ±		SHEET	1 OF 1			
ANGLES ±		REV	E			

单击下面可查看定价，库存，交付和生命周期等信息

[>>TE Connectivity\(泰科\)](#)