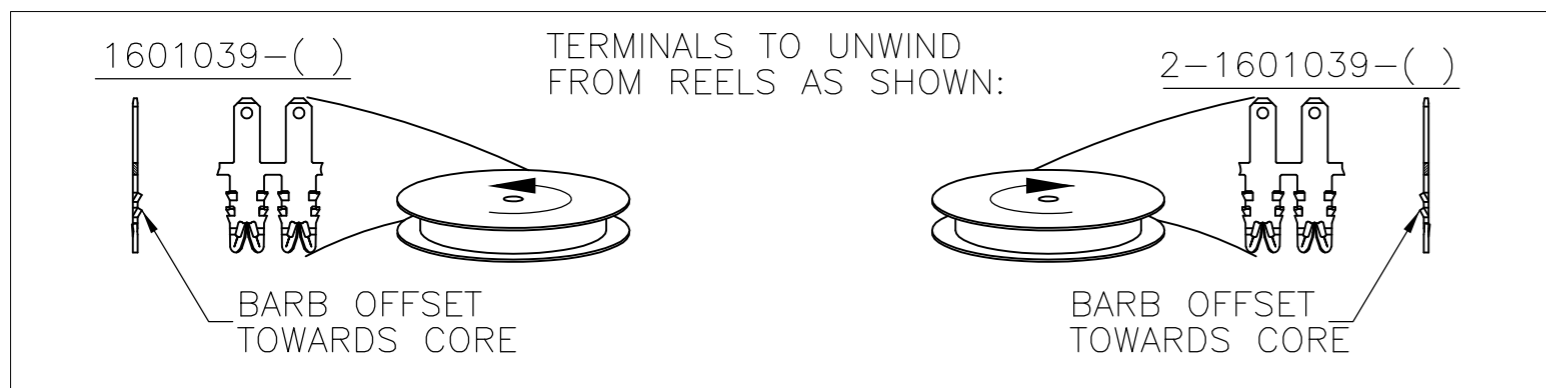
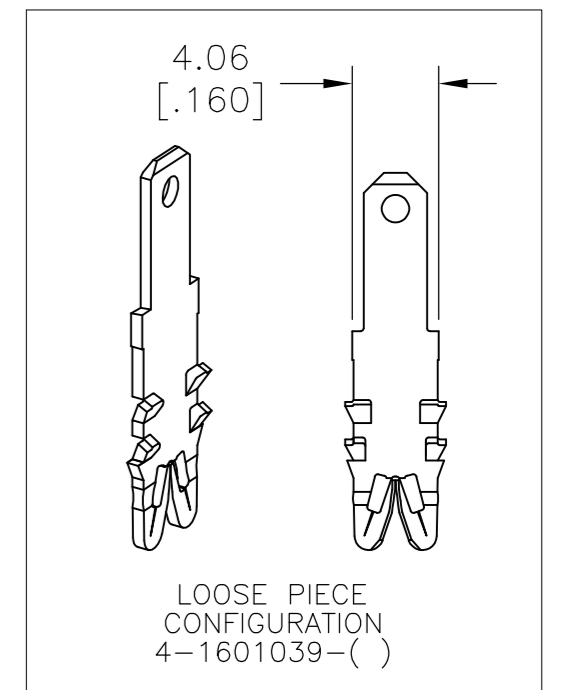
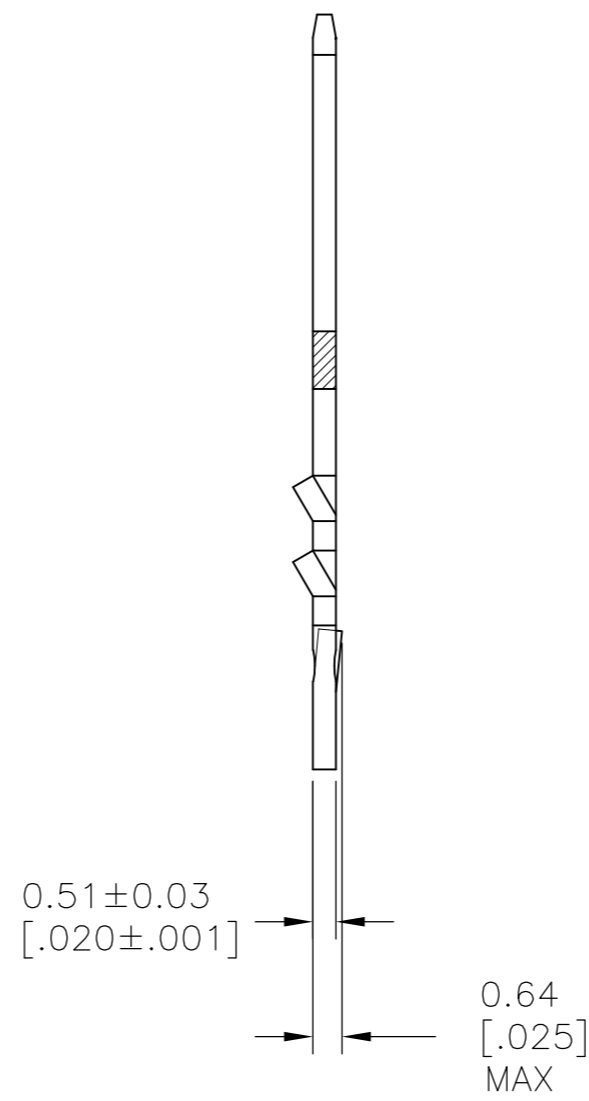
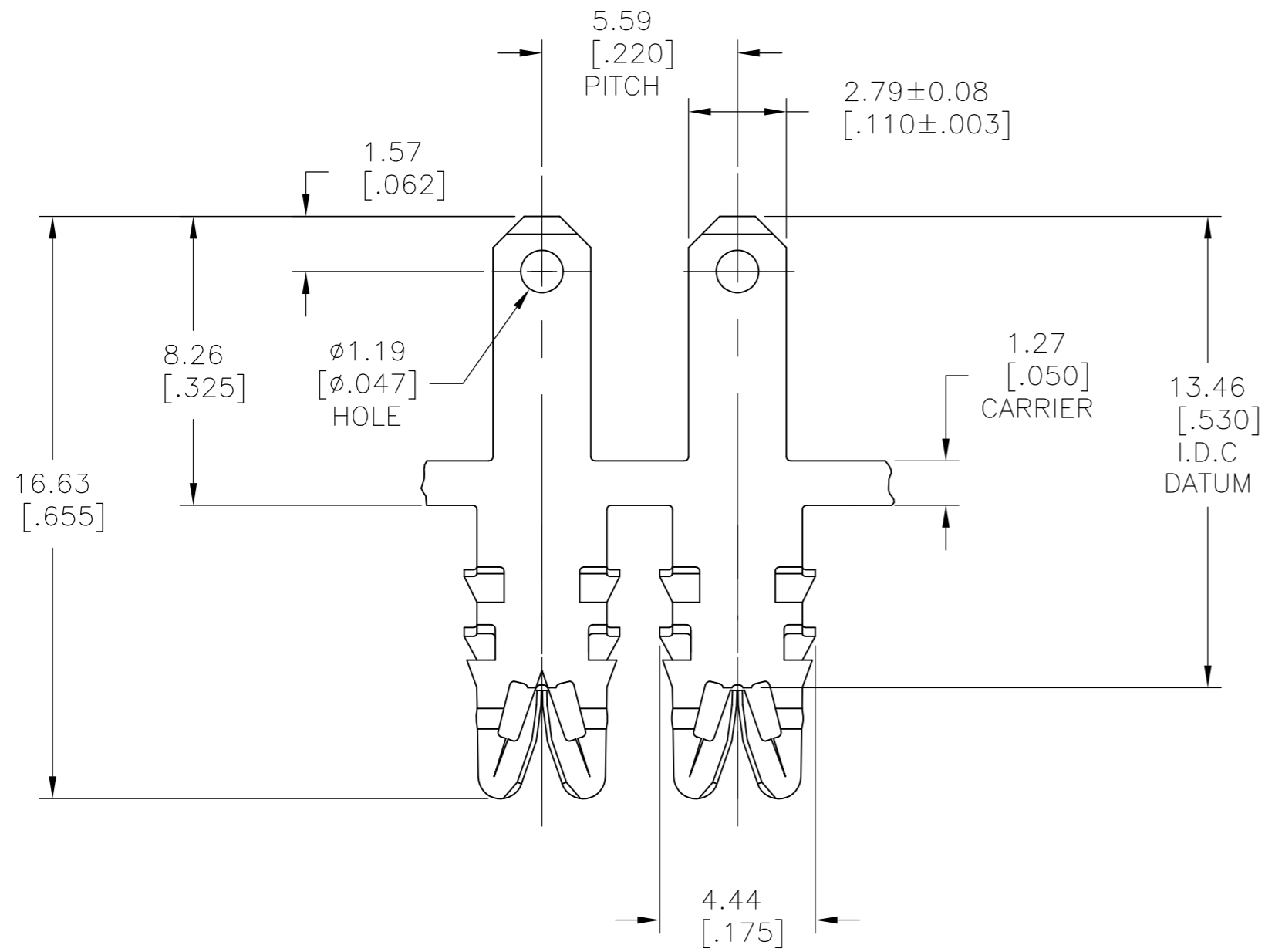


THIS DRAWING IS UNPUBLISHED. RELEASED FOR PUBLICATION
 © COPYRIGHT BY TYCO ELECTRONICS CORPORATION. ALL INTERNATIONAL RIGHTS RESERVED.

LOC	DIST	REVISIONS			
P	LTR	DESCRIPTION	DATE	DWN	APVD
AF	50				
	C2	REVISED PER ECR-10-013696	19AUG10	HMR	GJ

- SPECIFICATIONS:
MAGNET WIRE #18 - #34 AWG,
1.02MM (.040)-0.16MM (.006) DIA COPPER.
OTHER SIZES MAY BE ACCOMMODATED,
CONSULT TYCO ELECTRONICS FOR APPROVAL.
- POCKET RECOMMENDATION : #1601425
- △ TERMINAL APPLICATION TO COMPLY WITH
TYCO ELECTRONICS SPECIFICATION
#114-13166 FIGURE 9.
- △ PRELIMINARY - NOT FOR PRODUCTION.
- TWO(2) TERMINALS SHOWN FOR ILLUSTRATION
PURPOSES ONLY.



PRE TIN PLATE	031-085-002		4-1601039-2	
PRE TIN PLATE	131-086-002		2-1601039-2	
UNPLATED	131-086-000		2-1601039-1	
PRE TIN PLATE	-		△ 1601039-2	
UNPLATED	131-085-000		1601039-1	
FINISH	REFERENCE PART NUMBER		TE PART NUMBER	
THIS DRAWING IS A CONTROLLED DOCUMENT.		DWN J.WELLER 11JAN2002	Tyco Electronics Corporation Harrisburg, PA 17105-3608	
DIMENSIONS: mm [INCHES]		CHK M.FEHER 11JAN2002	NAME	
TOLERANCES UNLESS OTHERWISE SPECIFIED:		APVD K.RANDOLPH 11JAN2002	STD. RANGE WIRE TO 2.79 X 0.51 MULTI-BARB TAB SIAMEZE TERMINAL	
0 PLC ± -	1 PLC ± -	PRODUCT SPEC	SIZE	CAGE CODE
2 PLC ± 0.13[.005]	3 PLC ± -	108-2085	A2	00779
4 PLC ± -	ANGLES ± 2°	APPLICATION SPEC	DRAWING NO	RESTRICTED TO
MATERIAL BRASS, FULL HARD	FINISH SEE TABLE	408-8629	C=1601039	-
		WEIGHT -	SCALE 6:1	SHEET 1 OF 1
		CUSTOMER DRAWING	REV C2	

单击下面可查看定价，库存，交付和生命周期等信息

[>>TE Connectivity\(泰科\)](#)