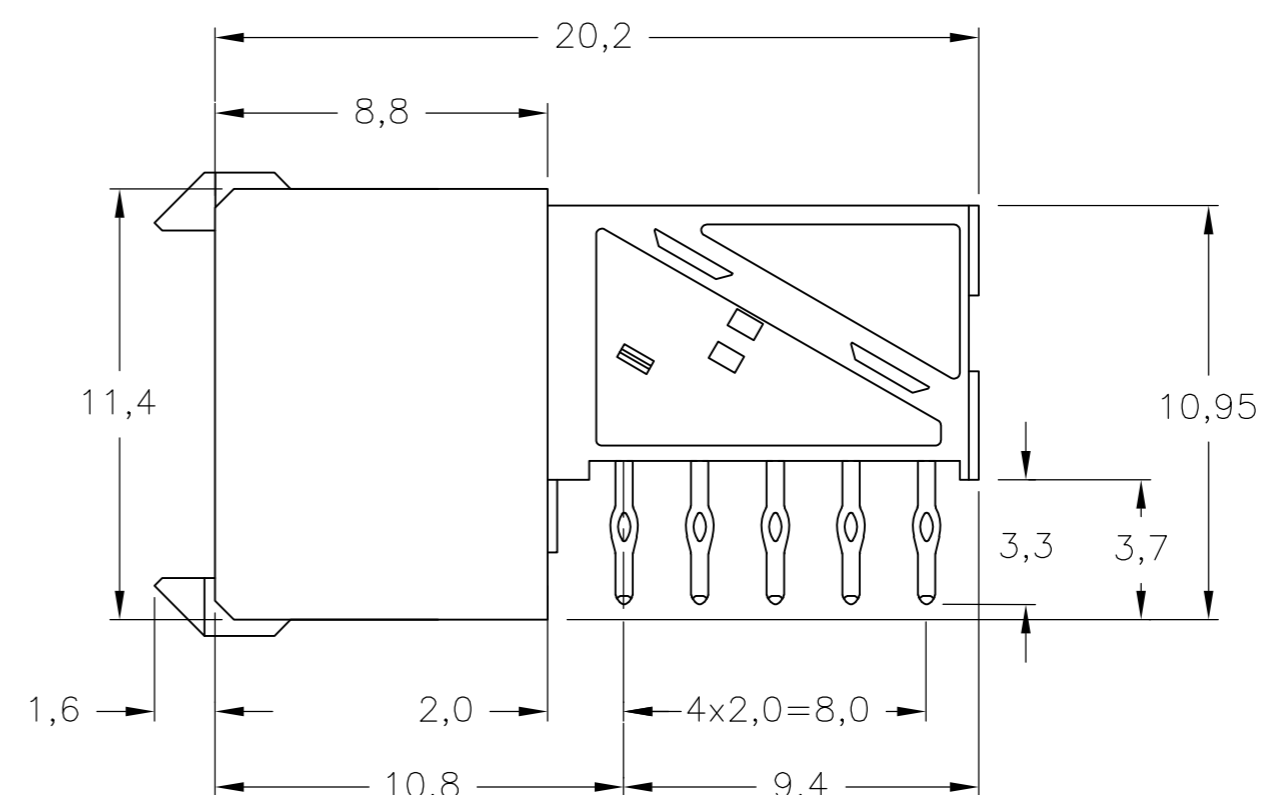
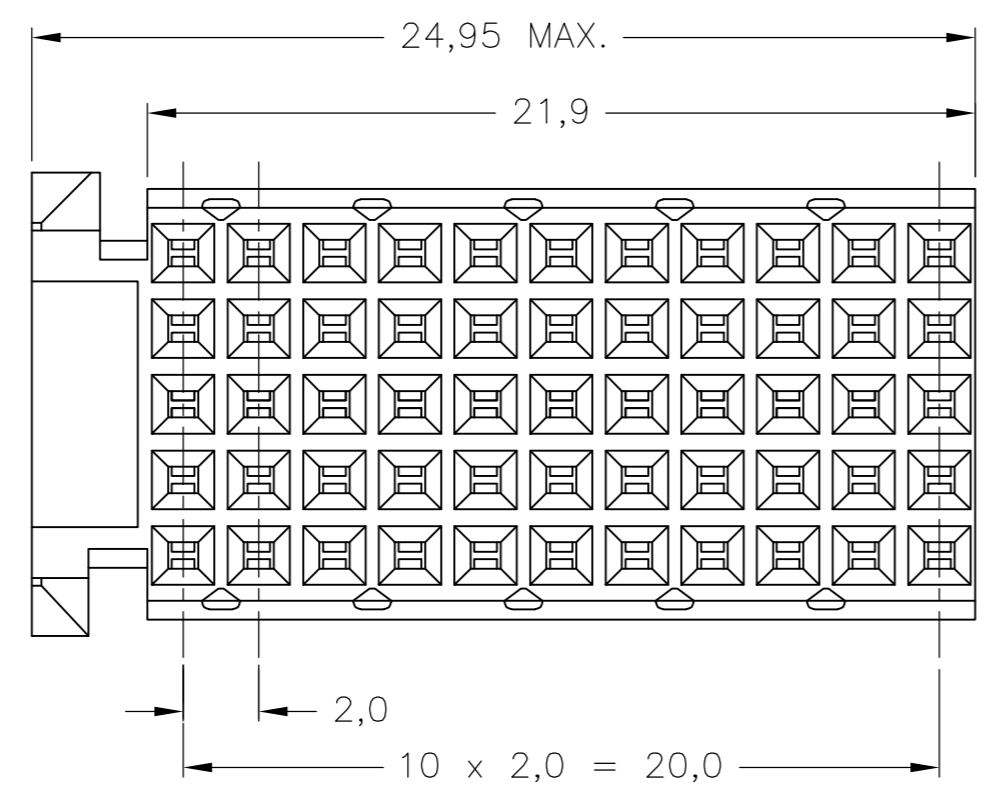
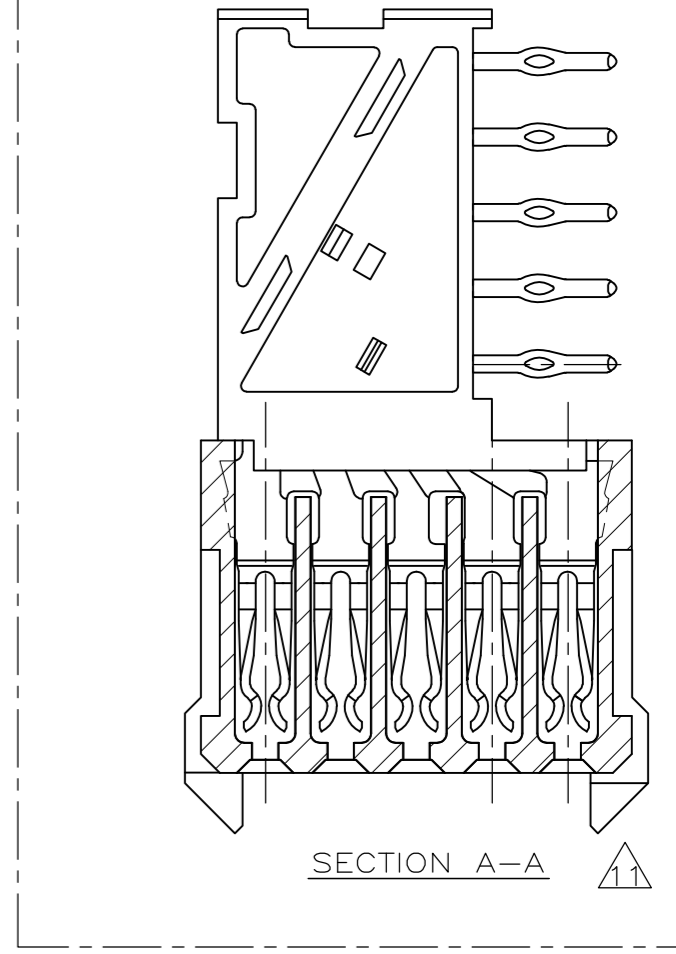
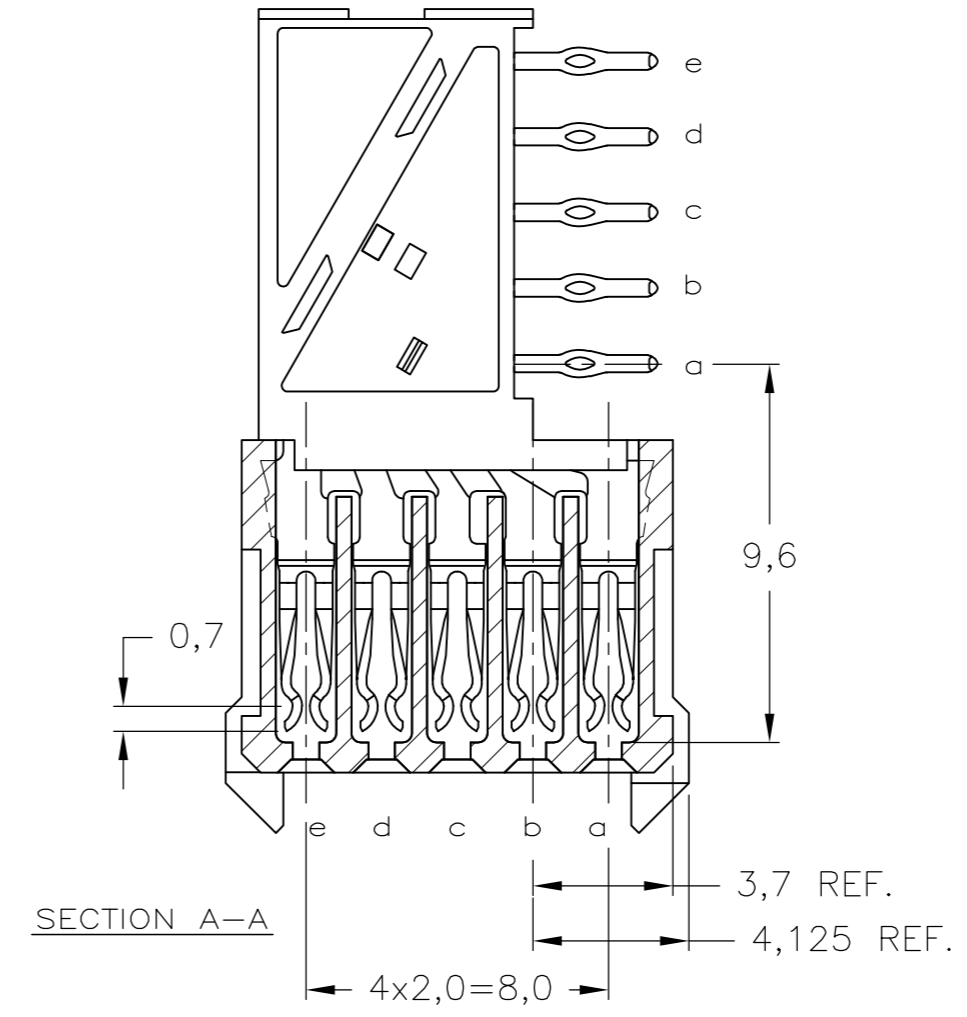
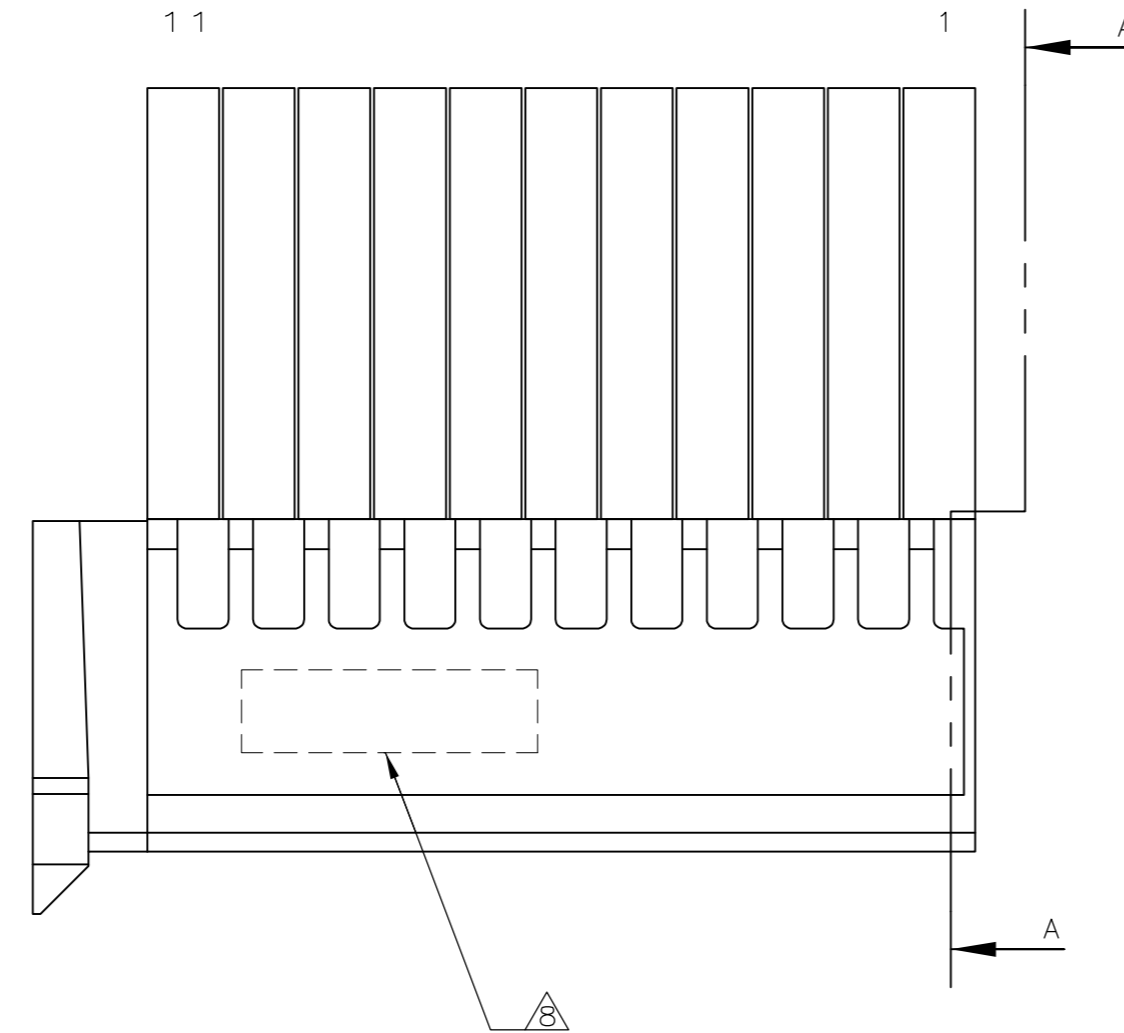
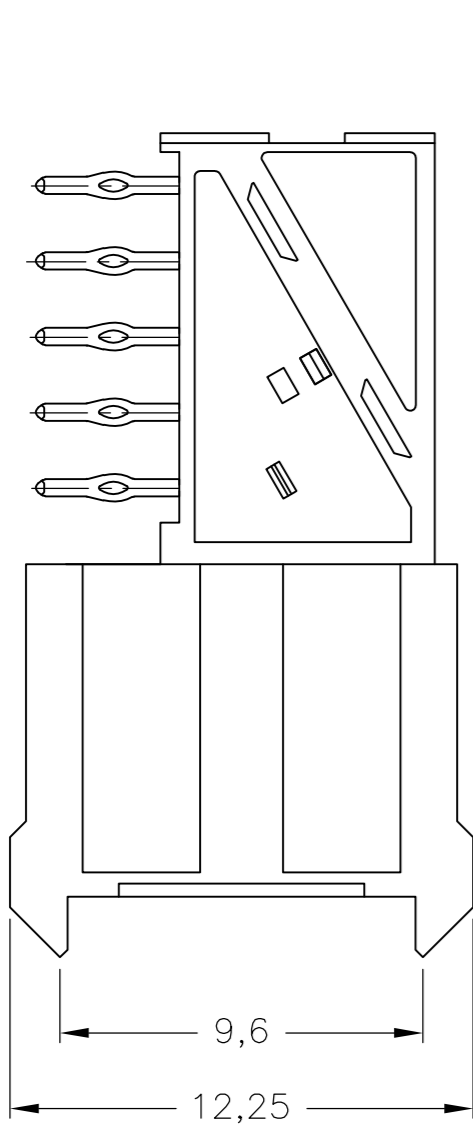


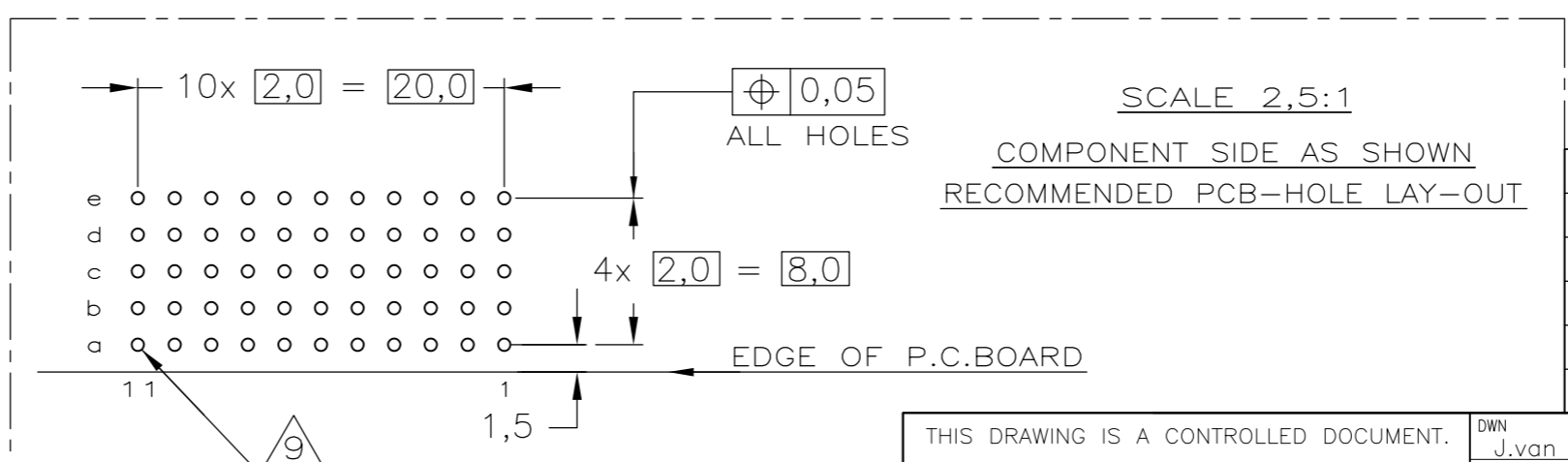
THIS DRAWING IS UNPUBLISHED. RELEASED FOR PUBLICATION
 © COPYRIGHT BY TYCO ELECTRONICS CORPORATION. ALL RIGHTS RESERVED.

LOC		DIST		REVISIONS			
P	LTR	DESCRIPTION	DATE	DWN	APVD		
C		ECO-11-024491	13DEC11	SY	MQW		



NOTES:

- ⚠ MATERIAL CONTACT; PHOSPHORBRONZE
MATERIAL HOUSING; GLASSFILLED POLYESTER (GRAY)
UL-RATING 94V0.
- ⚠ GENERAL PLATING SPECIFICATION: UNDERPLATING (ENTIRE CONTACT): 1,27µm NICKEL MIN.
AND COMPLIANT PIN SECTION: 0,5µm TIN MIN.
FOR PLATING OF MATING SURFACES SEE APPLICABLE SPECIFICATION REFERENCE FOR EACH DASH NUMBER.
- ⚠ CONFORMS TO ALL TESTING ACCORDING IEC 61076-4-101 PERFORMANCE LEVEL 2.
- ⚠ CONFORMS TO ALL TESTING ACCORDING IEC 61076-4-101 PERFORMANCE LEVEL 1.
- ⚠ CONNECTOR TESTED AND QUALIFIED AGAINST TELCORDIA GR-1217-CORE QUALITY LEVEL III, CENTRAL OFFICE APPLICATIONS.
- ⚠ CONNECTOR TESTED AND QUALIFIED AGAINST TELCORDIA GR-1217-CORE QUALITY LEVEL III, UNCONTROLLED ENVIRONMENT APPLICATIONS.
- ⚠ CONNECTOR LUBRICATED WITH TELCORDIA GR-1217-CORE APPROVED LUBRICANT.
- ⚠ CONNECTOR PRINTED WITH PARTNUMBER AND DATECODE
THE MARKING CAN APPEAR ON THE FRONT SIDE OR ON THE BACK SIDE.
- ⚠ PLATED-THROUGH HOLES AT 2x2mm SQUARE GRID. 55 HOLES
- ⚠ FITS WITH INTEGRATED GROUND RETURN UPPERSHIELD, BASIC P.N. 5352111
AND INTEGRATED GROUND RETURN LOWERSHIELD, BASIC P.N. 5352112
- ⚠ CONNECTOR ASSEMBLED WITH REDESIGNED CONTACTS.
CONTACTS HAVE A CORING-OUT IN THE PLASTIC.



P.C.B. HOLE DIM. COMPLIANT PIN
 FOR DETAILS SEE APPLICATION SPECIFICATION

THIS DRAWING IS A CONTROLLED DOCUMENT.		DWN	J.van Hoek	23AUG2007
DIMENSIONS: mm		CHK	B.Mooij	23AUG2007
TOLERANCES UNLESS OTHERWISE SPECIFIED:		APVD	J.Broeksteeg	23AUG2007
6-PLC ±		PRODUCT SPEC	108-19082	
1-PLC ±		APPLICATION SPEC	114-19029	
2-PLC ±		WEIGHT	-	
3-PLC ±		CUSTOMER DRAWING	-	
4-PLC ±		SCALE	4:1	
ANGLES ±		SHEET	1 OF 1	
FINISH		REV	C	

FINISH	MATERIAL	PARTNUMBER
⚠ 6	⚠	1-1857991-9
⚠ 5	⚠	1857991-9
⚠ 4	⚠	1857991-4
⚠ 3	⚠	1857991-1

Tyco Electronics Corporation 's-Hertogenbosch, 5222AR-32		NAME	
Z-PACK 2mm HM TYPE C 55 POS. FEMALE CONNECTOR		SIZE	A2
CAGE CODE	00779	DRAWING NO	C=1857991
RESTRICTED TO	-		

单击下面可查看定价，库存，交付和生命周期等信息

[>>TE Connectivity\(泰科\)](#)