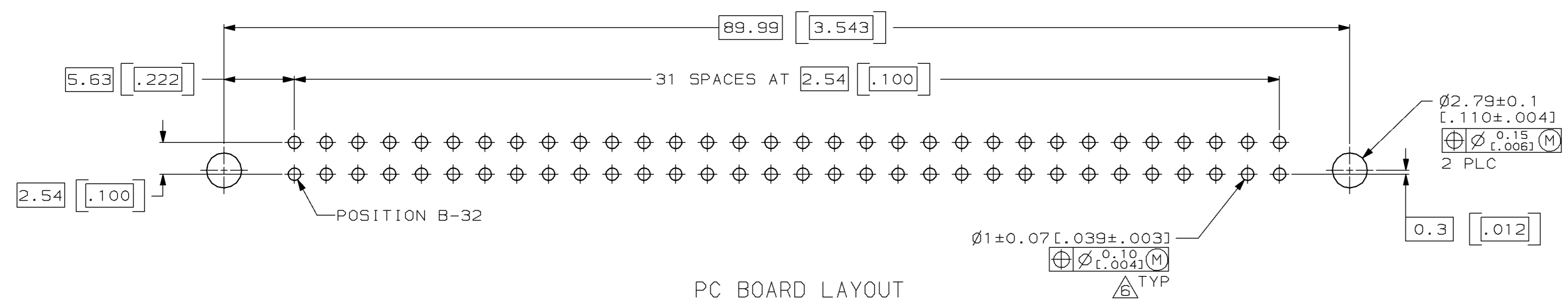
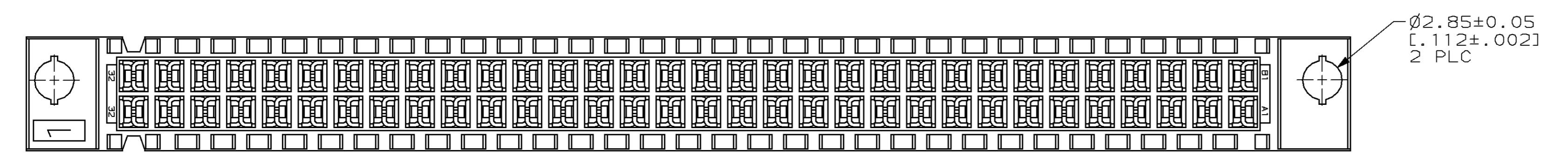
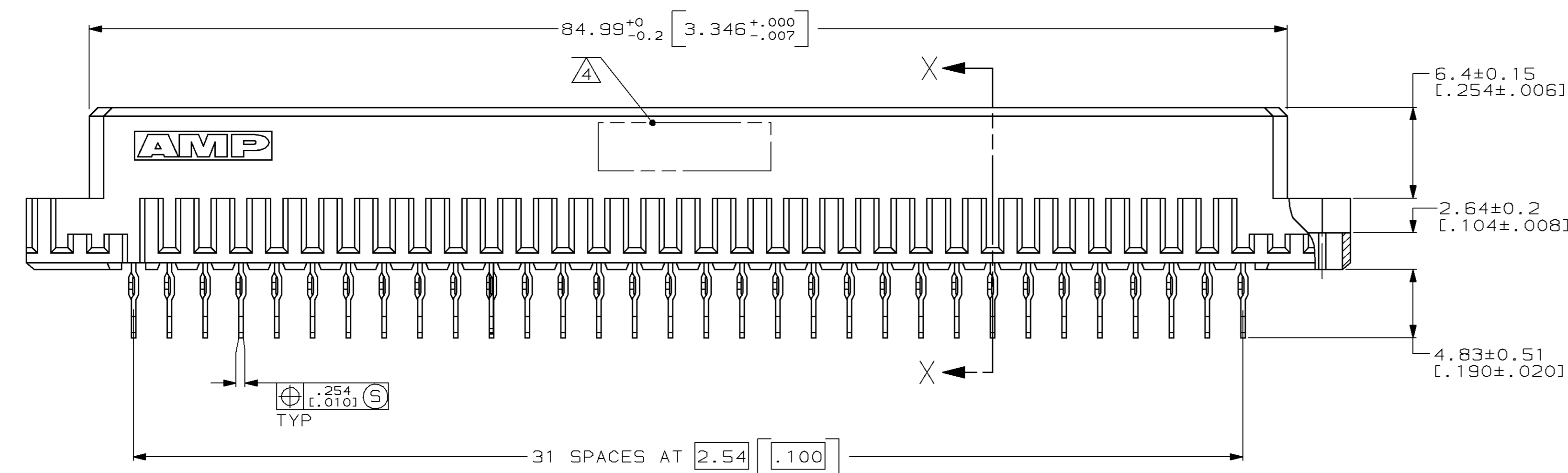
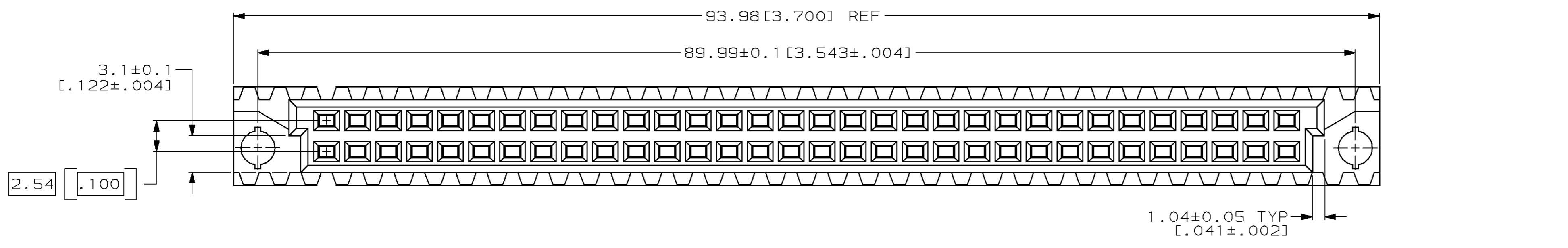
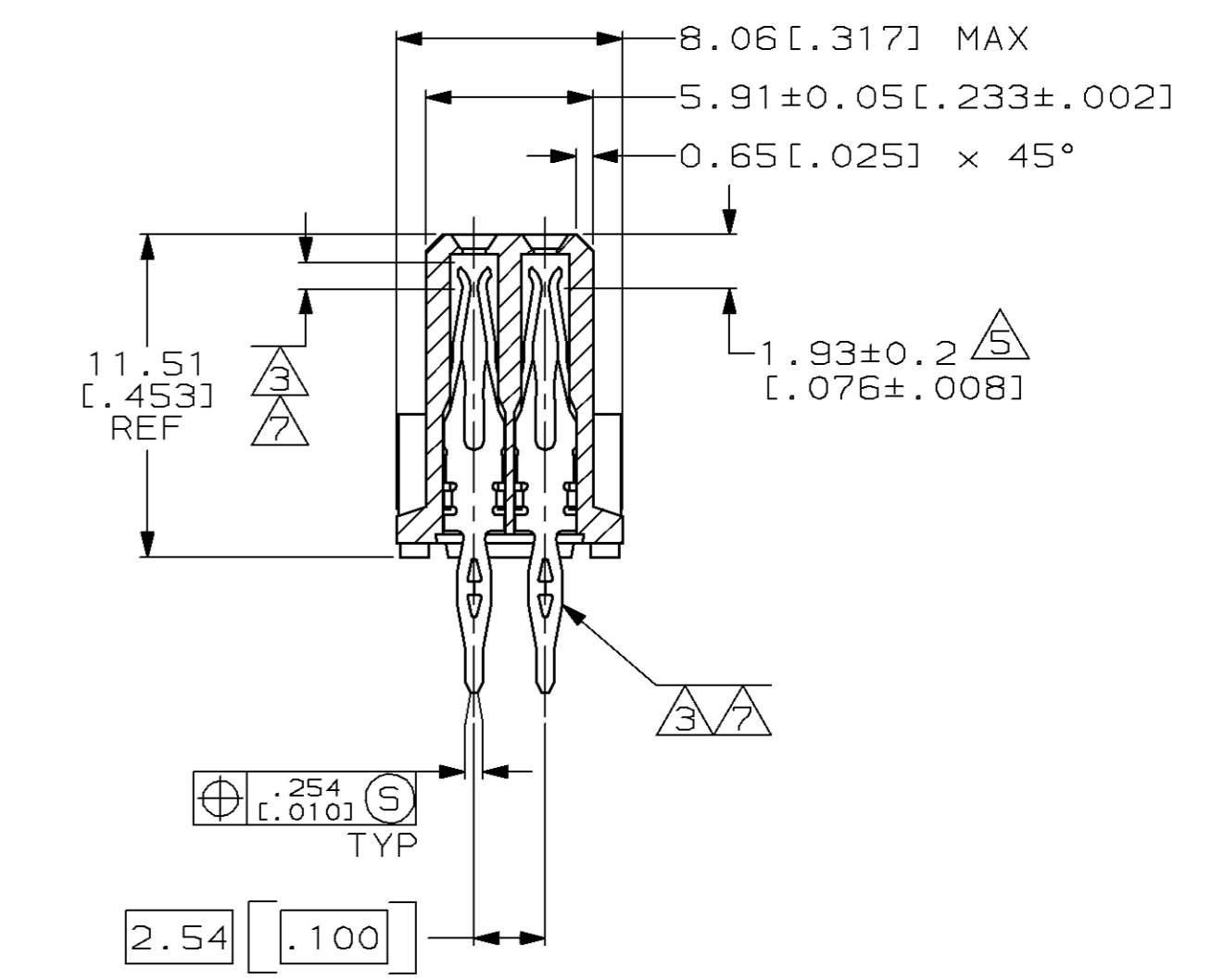


LOC		DIST		P		F		ZONE		LTR		REVISIONS			
AD	25											DESCRIPTION	DATE	APPD	
												D	EC 0010-1434-95	1/18/96	RAP
												E	EC 0010-1486-95	4/1/96	CR



- △ HOUSING MATERIAL: GLASS-FILLED POLYESTER. COLOR: GRAY.
- △ CONTACT MATERIAL: PHOSPHOR BRONZE.
- △ CONTACT FINISH: DIN 41612 CLASS 2 IN CONTACT AREA. NICKEL UNDERPLATE ALL OVER. TIN-LEAD ON POSTS.
- △ PART NUMBER, DATE CODE IDENTIFICATION, CSA LOGO IN THIS APPROXIMATE AREA, ON REVERSE SIDE.
- △ POINT OF MEASUREMENT FOR GOLD.
- △ ACTION PIN POSTS REQUIRE 1.57 [0.062] MINIMUM THICK PC BOARD. RECOMMENDED PC BOARD HOLES ARE Ø1.151 ± 0.02 [0.0453 ± .001] DRILLED HOLES WITH 0.02-0.07 [0.001-.003] COPPER AND 0.008 [0.0003] MINIMUM TIN-LEAD PLATING. FINISHED HOLES AFTER PLATING, Ø0.94-1.09 [0.037-.043].
- △ CONTACT FINISH: DIN 41612 CLASS 3 IN CONTACT AREA. NICKEL UNDERPLATE ALL OVER. TIN-LEAD ON POSTS.



SECTION X-X

OBSOLETE	NOTE	POSITIONS LOADED		NO. OF LOADED POSITION	ASSY PART NUMBER
		B	A		
		1 THRU 32	X X	64	650865-9
		1 THRU 32	X X	64	650865-5
		1 THRU 32	X X	64	650865-4

DO NOT SCALE PRINT. UNLESS SPECIFIED DIMENSIONS IN mm [INCHES]. TOLERANCES ON: 1 PLC DEC ± - 2 PLC DEC ± 0.13 [.005] ANGLES ± -	DR L. BRINER 6/27/90 CHK J. BROWN 7/18/90 APPD J. BROWN 7/18/90 APPD K.R. PARMER 7/19/90	AMP INCORPORATED Harrisburg, Pa. 17105	
MATERIAL HSG △ CONT △	PRODUCT SPEC	RECEPTACLE ASSEMBLY, EUROCARD, TYPE "B"	
FINISH CONT △△	APPLICATION SPEC	SIZE D	FSCM NO 00779
	WEIGHT -	DRAWING NO	650865
		SCALE	4:1
		SHEET	1 OF 1



单击下面可查看定价，库存，交付和生命周期等信息

[>>TE Connectivity\(泰科\)](#)