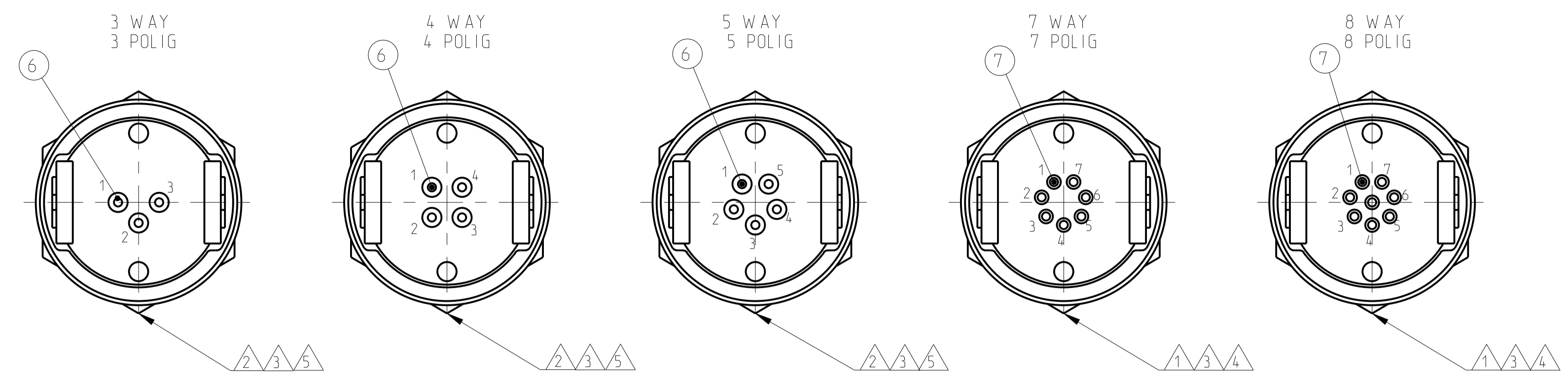
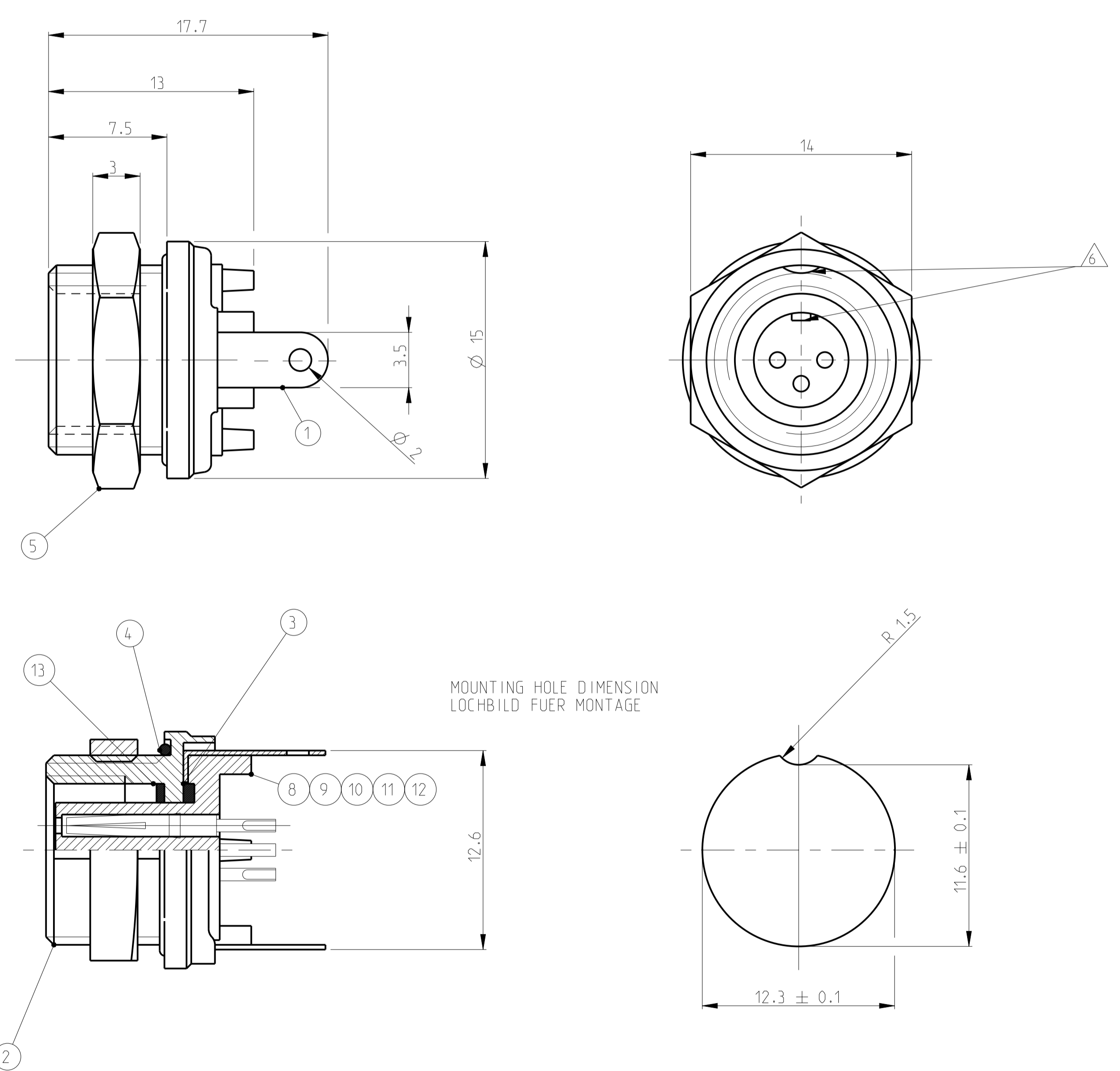


LOC	DIST	REV	LTN	DESCRIPTION	DATE	OWN	APVD
A1	-	A1	EG00-0803-01		19JUN2001	NG	GF
		A2	ECR-21-003049		19MAR2021	BP	CW



MATERIAL / MATERIAL: PBT, UL-94 V2	△7
SHELL MATERIAL / GEHAUSEMATERIAL: CUZN	
FINISH / BESCHICHTUNG: TRIBOR 4 µm	
CODING / KODIERUNG	△6
WIRE GAGE / DRAHTGROESSE IN mm ² : 0.25	△5
WIRE GAGE / DRAHTGROESSE IN mm ² : 0.14	△4
CONTACT RESISTANCE / KONTAKTWIDERSTAND: => 5 mΩ	△3
RATED CURRENT PER CONTACT / NENNSTROM PRO KONTAKT: 3 A	△2
RATED CURRENT PER CONTACT / NENNSTROM PRO KONTAKT: 1 A	△1
SHELL PROTECTION CLASS / SCHUTZKLASSE: IP 65 / DIN 40050	
TERMINATION: SOLDERING / VERBINDUNG: LOETKONTAKTE	
TEST VOLTAGE / PRUEFSPANNUNG: 500 VAC	
OPERATING VOLTAGE / BETRIEBSSPANNUNG: 60 VAC	
OPERATING TEMPERATURE: -40°C TO +80°C / ARBEITSTEMPERATUR: -40°C BIS +80°C	
MATING CYCLES / STECKZYKLEN: 500 MAX.	
TECHNICAL DATA TECHNISCHE DATEN	



TYCO-NO. / TYCO NR.						
0-1437720-9	0-1437720-6	0-1437720-3	9-1437719-9	9-1437719-6		
1	1	1	1	1	SEAL / DICHTUNG	13
1					INSULATION TUBE 8 POS. / ISOLIERHUELSE 8 POL.	12
	1				INSULATION TUBE 7 POS. / ISOLIERHUELSE 7 POL.	11
		1			INSULATION TUBE 5 POS. / ISOLIERHUELSE 5 POL.	10
			1		INSULATION TUBE 4 POS. / ISOLIERHUELSE 4 POL.	9
				1	INSULATION TUBE 3 POS. / ISOLIERHUELSE 3 POL.	8
8	7				SOCKET APPLIED BY PRESSURE / BUCHSENKONTAKT EINGEPRESST	7
		5	4	3	SOCKET APPLIED BY PRESSURE / BUCHSENKONTAKT EINGEPRESST	6
1	1	1	1	1	NUT / MUTTER	5
1	1	1	1	1	SEAL / DICHTUNG	4
1	1	1	1	1	SEAL / DICHTUNG	3
1	1	1	1	1	HOUSING / GEHAUSE	2
1	1	1	1	1	GROUND ON PCB SPRING / VERBINDUNGSFEDER ZUR PCB MASSE	1
-	-	-	-	-	REVISION OF EACH ASSY NO. (WHEN BLANK, USE DWG REV.)	
QTY REQD PER ASSY					DESCRIPTION / BESCHREIBUNG	ITEM-NO. TEIL-NR.
T01-0580-S08	T01-0580-S07	T01-0580-S05	T01-0580-S04	T01-0580-S03	PARTS LIST / TEILE LISTE	
CATALOG-NO.	CATALOG-NO.	CATALOG-NO.	CATALOG-NO.	CATALOG-NO.		

AS SHOWN
9-1437719-6 WIE GEZEICHNET

<p>THIS DRAWING IS UNCLASSIFIED AND IS RELEASED FOR PUBLICATION DATE 03/01/2000 BY TYCO ELECTRONICS CORPORATION ALL RIGHTS RESERVED.</p> <p>DATE 03/01/2000 BY TYCO ELECTRONICS CORPORATION ALL RIGHTS RESERVED.</p>	<p>OWN: H. GEISLER 19JUN2001</p> <p>CHK: H. SCHERER 19JUN2001</p> <p>APVD: H. SCHERER 19JUN2001</p>	<p>tyco Electronics</p> <p>tyco Electronics AMP GmbH D - 64625 Bensheim</p>
<p>DIMENSIONS: MILLIMETERS</p> <p>TOLERANCES UNLESS OTHERWISE SPECIFIED:</p> <p>0 PLC ±0.3</p> <p>1 PLC ±0.2</p> <p>2 PLC ±0.15</p> <p>3 PLC ±0.1</p> <p>4 PLC ±0.05</p>	<p>NAME: T01 FEMALE PLUG CONN. PANEL MNT. SOLDER VER. 3-8 POS. 180 DGR.</p> <p>PRODUCT SPEC: T01 BUCHSENSTECKER, EINBAU, LOETVERSION 3-8 POL. 180 GRAD</p> <p>APPLICATION SPEC: -</p> <p>VERARBEITUNGSSPEZ: -</p>	<p>SIZE: A1</p> <p>CAGE CODE: 00779</p> <p>DRAWING NO: 9-1437719-6</p> <p>RESTRICTED TO: -</p>
<p>MATERIAL: -</p> <p>FINISH/BESCHICHTUNG/FARBE: -</p>	<p>WEIGHT: -</p> <p>GEWICHT: -</p> <p>CUSTOMER DRAWING: /KUNDENZEICHNUNG</p>	<p>SCALE: -</p> <p>SHEET: 1 OF 1</p> <p>REV: A2</p>

单击下面可查看定价，库存，交付和生命周期等信息

[>>TE Connectivity\(泰科\)](#)