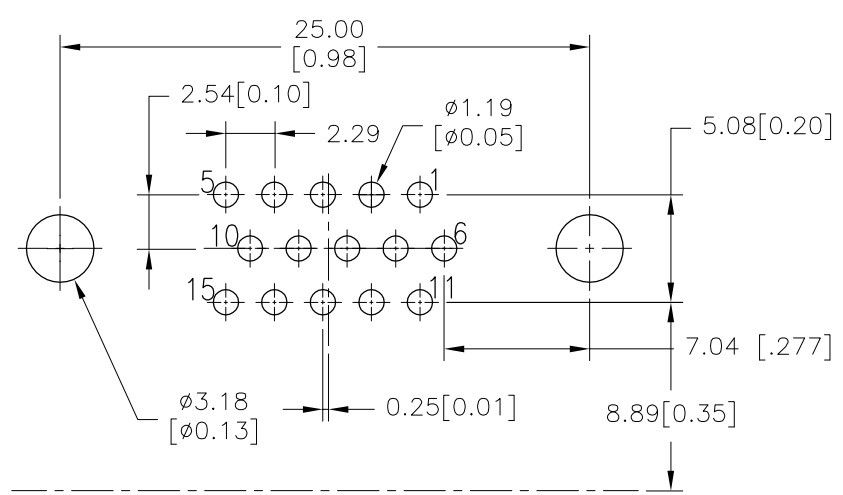
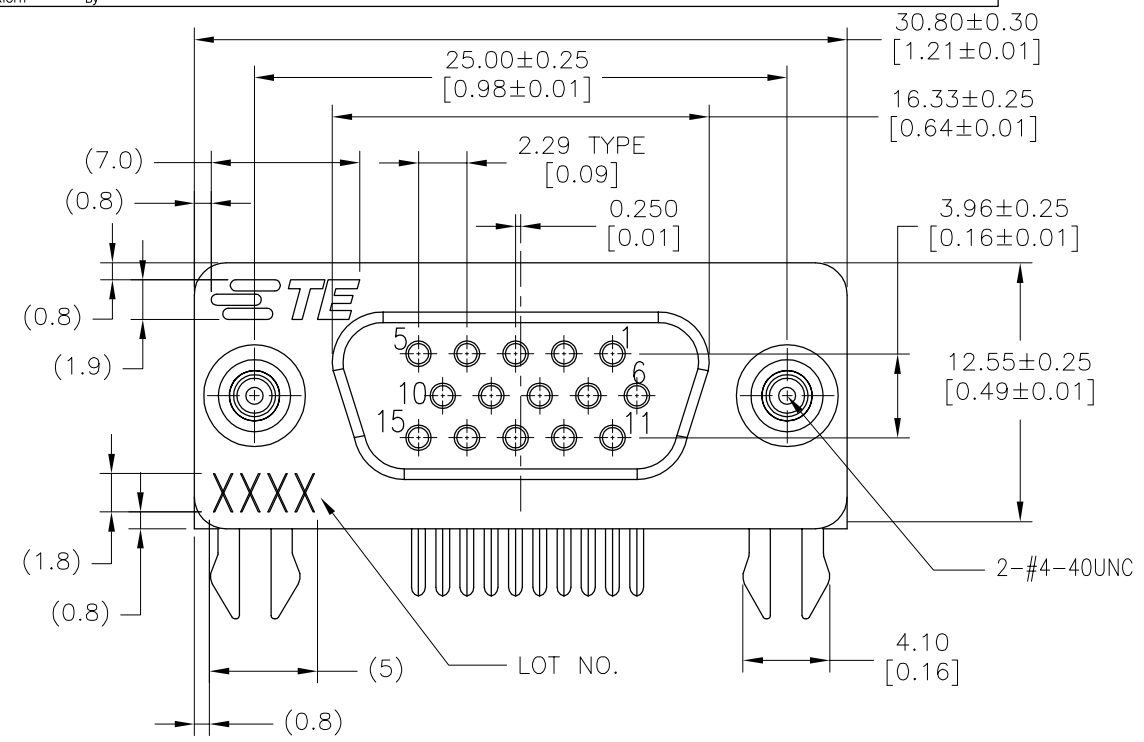


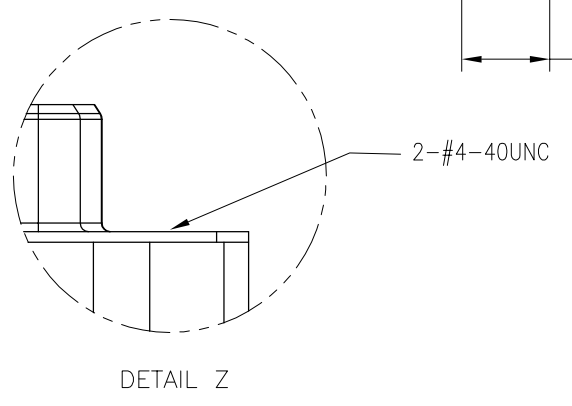
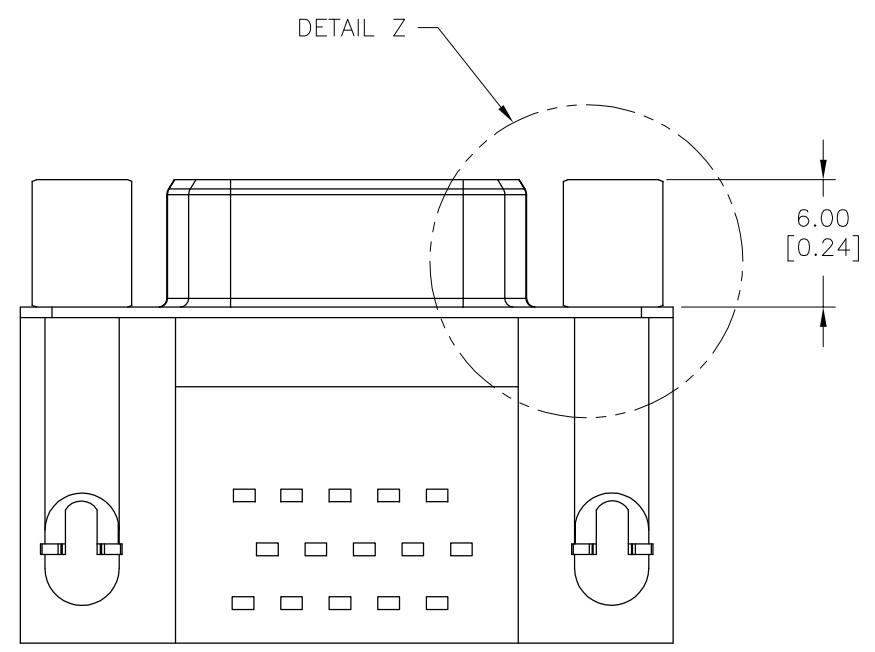
REVISIONS				
P	LTR	DESCRIPTION	DATE	APVD
D		REVISED PER ECO-18-008015	24MAY2018	AP DG

RECOMMENDED P.C.B LAYOUT(TOP SIDE)
 (PCB BOARD TOLERANCE±0.05)



NOTES:
 INSULATOR:PA9T+G.F UL94V-0 BLACK
 CONTACT:PHOSPHOR BRONZE
 " GOLD PLATING ON CONTACT AREA
 100u" MATTE TIN PLATING ON SOLDER TAIL
 50u" NICKEL UNDERPLATED OVERALL
 HOLDDOWN:BRASS,100u" TIN OVER 50u" NICKEL
 SHEEL:SPCC,50u" NICKEL PLATING OVERALL
 SCREWLOCK:BRASS,30u" NICKEL PLATING OVERALL

LOT NUMBER "XXXX"
 STANDS FOR CALENDAR YEAR
 STANDS FOR WEEK NUMBER



4.10 [0.161]	THREADED SEE DETAIL Z	30μ" Au	2311763-3
4.10 [0.161]	THREADED SEE DETAIL Z	Au Flash	2311763-2
3.80 [0.150]	YES	30μ" Au	2311763-1
X ± 0.30 [± 0.012]	SCREWLOCK	Contact Area	P/N
BOARDLOCK LENGTH		Plating	

THIS DRAWING IS A CONTROLLED DOCUMENT.		DWN	03MAR2017	STE TE Connectivity	
DIMENSIONS: mm [INCHES]		CHK	03MAR2017		
TOLERANCES UNLESS OTHERWISE SPECIFIED:		APVD		NAME	
0 PLC ± -	1 PLC ± 0.40	GORENC, DANIEL L		AMPLIMITE RECEPTACLE, HD22, RIGHT ANGLE, 15P	
2 PLC ± 0.25	3 PLC ± 0.15	GORENC, DANIEL L		-	
4 PLC ± -	ANGLES ± 3'	PRODUCT SPEC		-	
MATERIAL	FINISH	APPLICATION SPEC		SIZE	
-	-	108-130023		CAGE CODE	
		WEIGHT		DRAWING NO	
		-		A2 00779	
		CUSTOMER DRAWING		RESTRICTED TO	
		SCALE 1:1		SHEET 1 of 1	
		REV D			

单击下面可查看定价，库存，交付和生命周期等信息

[>>TE Connectivity\(泰科\)](#)