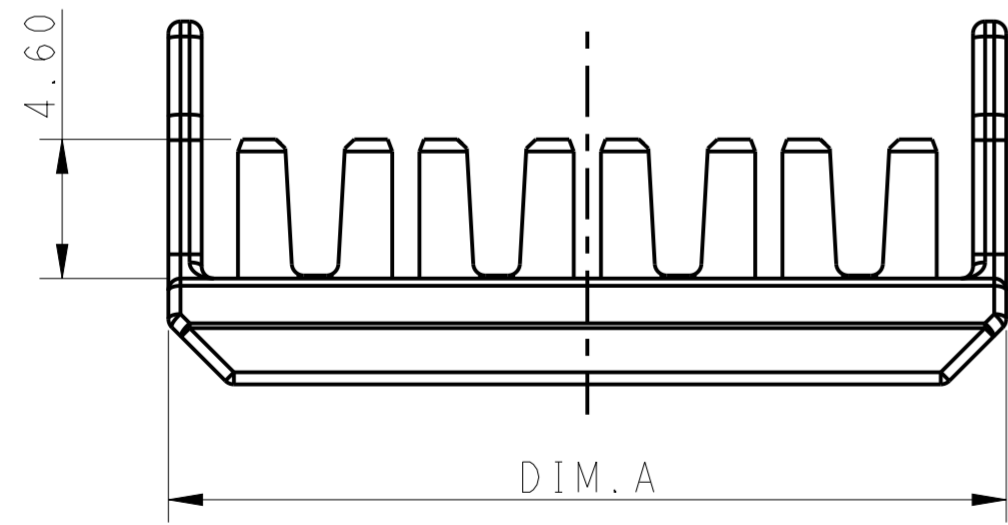
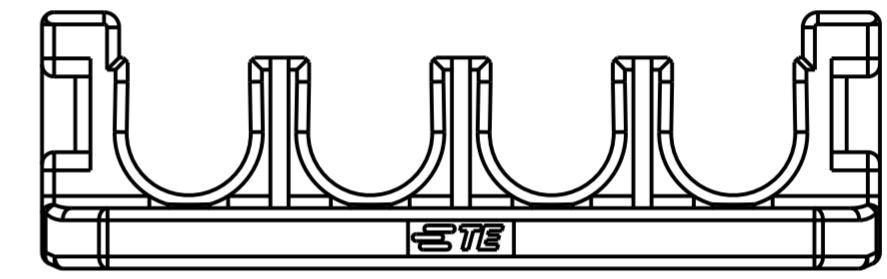
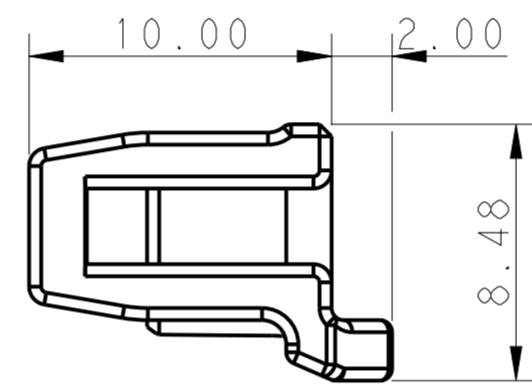
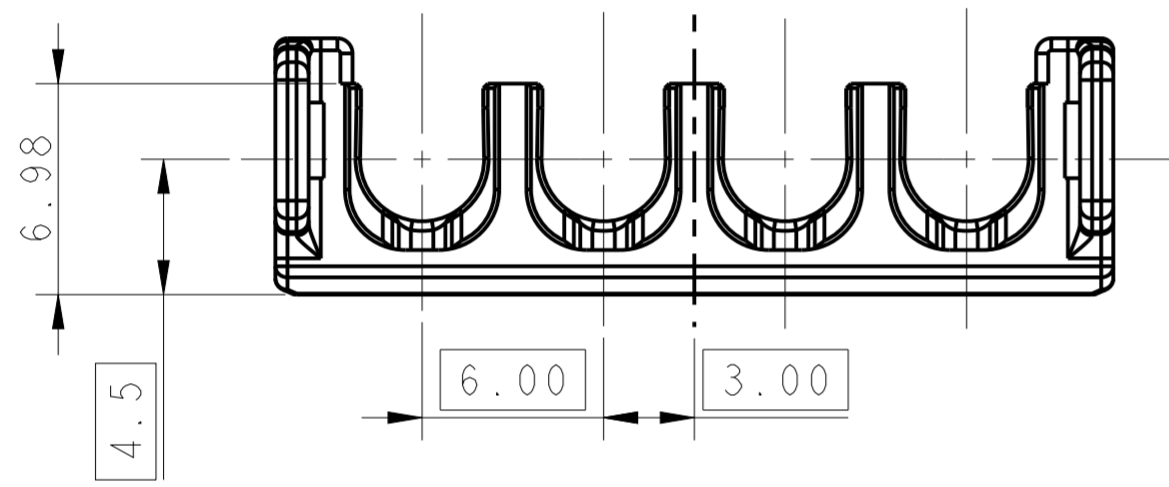
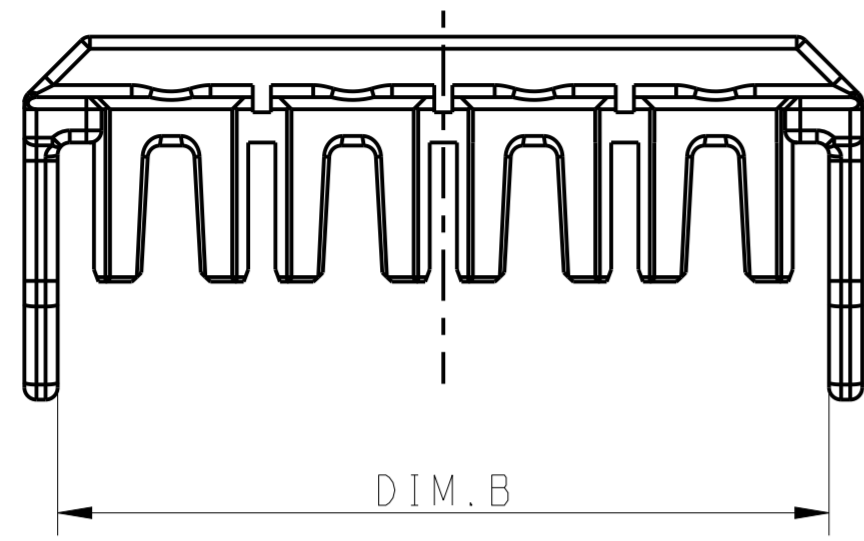


THIS DRAWING IS UNPUBLISHED. RELEASED FOR PUBLICATION 20
 © COPYRIGHT 20 BY - ALL RIGHTS RESERVED.

LOC		DIST		REVISIONS			
P	LTR	DESCRIPTION	DATE	DWN	APVD		
-	-	D	REVISED PER ECR-21-100678	08APR2021	SS	VS	



POS.	DIM.A	DIM.B
1*5	33.70	31.5
1*4	27.70	25.5
1*3	21.70	19.5
1*2	15.70	13.5

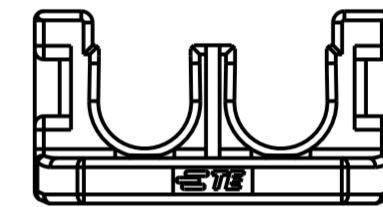
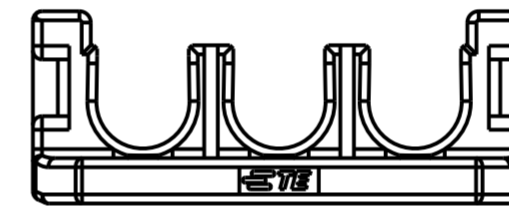
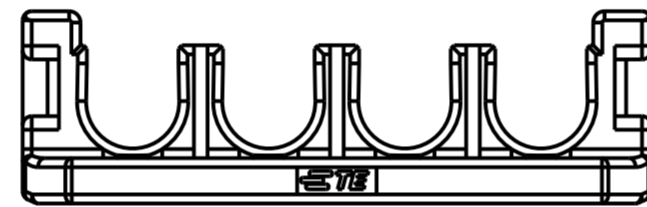
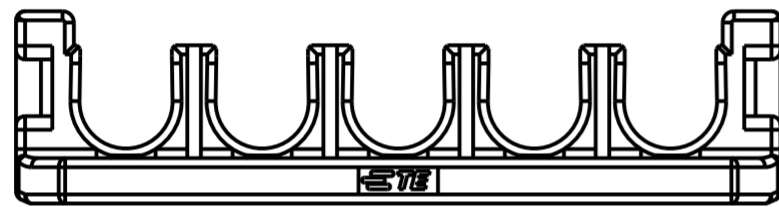
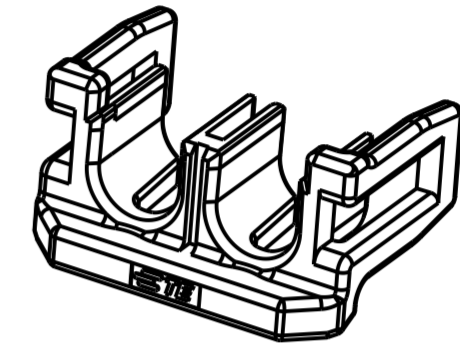
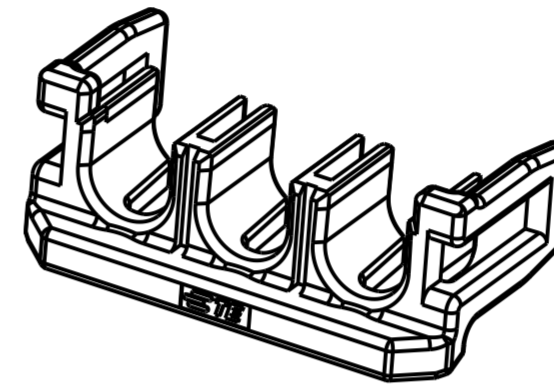
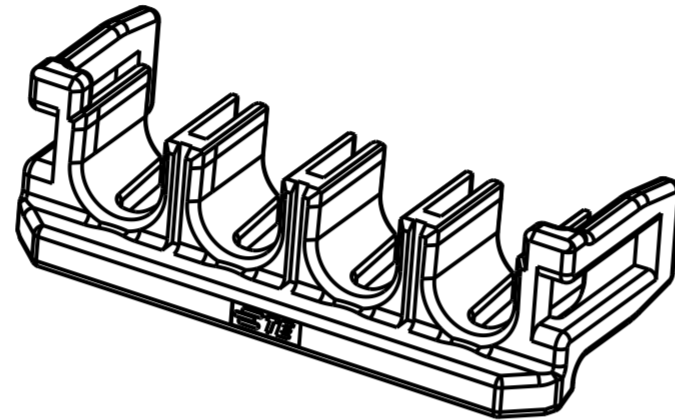
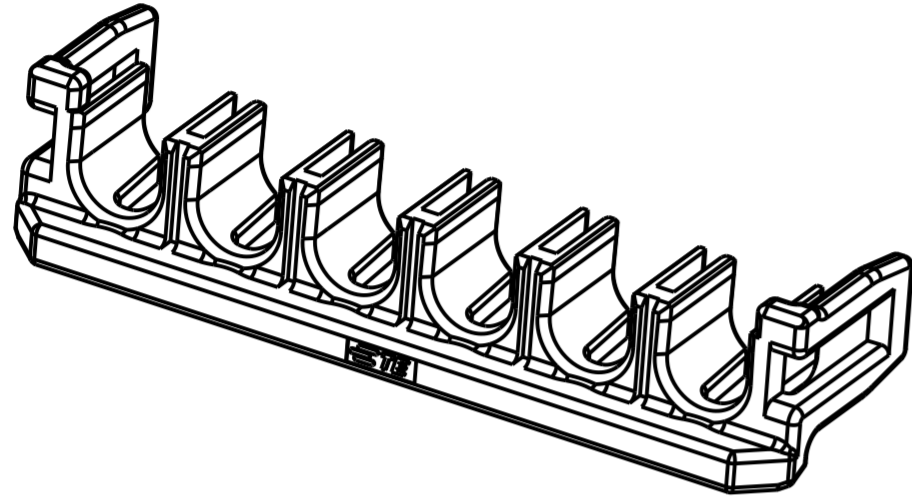
NOTE

- ① HIGH TEMP VERSIONS ARE RATED 150°C MAX AND ARE RECOMMENDED FOR USE WITH HIGH TEMP AND GLOW WIRE RATED HOUSINGS.
- ② HOT WIRE IGNITION(HWI) VERSIONS ARE MOLDED IN A RESIN THAT COMPLIES WITH TE PENDING HOT WIRE IGNITION TEST AND ARE RECOMMENDED FOR USE WITH HWI HOUSINGS THAT ALSO COMPLY.
- ③ STANDARD TEMPERATURE VERSIONS, RATED 140°C MAX ARE RECOMMENDED FOR USE WITH STANDARD TEMP AND GLOW WIRE RATED HOUSINGS.
- 4. MATING CONN, P/N
 CAP HSG: *-1971*7*-*/*-22322***-*/*-22323***-
 PLUG HSG: *-1971*7*-*/*-22322***-*/*-22323***-*
- 5. FLAMMABILITY RATING: UL94V-0

THIS DRAWING IS A CONTROLLED DOCUMENT.		DWN TOMMY WU 09JUL2012	STE TE Connectivity	
DIMENSIONS: mm		CHK HAPYE WU 09JUL2012		
TOLERANCES UNLESS OTHERWISE SPECIFIED:		APVD YUHONG MAO 09JUL2012	NAME TPA, SINGLE ROW POWER TRIPLE LOCK	
0 PLC ±		PRODUCT SPEC 108-106118	SIZE CAGE CODE DRAWING NO RESTRICTED TO	
1 PLC ±0.35		APPLICATION SPEC 114-106118	A200779 C-1971777	
2 PLC ±0.25		WEIGHT -	SCALE - SHEET 1 OF 2 REV D	
3 PLC ±		MATERIAL -	Customer Drawing	
4 PLC ±		SEE TABLE		
ANGLES ±				
FINISH ±				

THIS DRAWING IS UNPUBLISHED. RELEASED FOR PUBLICATION 20
 © COPYRIGHT 20 BY - ALL RIGHTS RESERVED.

REVISIONS							
LOC	DIST	P	LTR	DESCRIPTION	DATE	DWN	APVD
-	-	-	-	SEE SHEET 1	-	-	-



1*5 POSITIONS

1*4 POSITIONS

1*3 POSITIONS

1*2 POSITIONS

COLOR	MATERIAL	TYPE	POSITIONS	P/N
RED	PBT GF	STANDARD TEMP Δ_3	1*5	Δ_6 4-1971777-5
			1*4	Δ_6 4-1971777-4
			1*3	Δ_6 4-1971777-3
			1*2	Δ_6 4-1971777-2
BLACK	PBT GF	HWI Δ_2	1*2	3-1971777-2
			1*5	2-1971777-5
			1*4	2-1971777-4
NATURAL	PBT GF	HWI Δ_2	1*3	2-1971777-3
			1*2	2-1971777-2
			1*5	1971777-5
BLACK	NYLON PA66	HIGH TEMP Δ_1	1*4	1971777-4
			1*3	1971777-3
			1*2	1971777-2

THIS DRAWING IS A CONTROLLED DOCUMENT.

DWN TOMMY WU 09JUL2012	TE Connectivity
CHK HAPYE WU 09JUL2012	
APVD YUHONG MAO 09JUL2012	
NAME TPA, SINGLE ROW POWER TRIPLE LOCK	
DIMENSIONS: mm	PRODUCT SPEC 108-106118
TOLERANCES UNLESS OTHERWISE SPECIFIED:	APPLICATION SPEC 114-106118
0 PLC ±	WEIGHT -
1 PLC ±0.35	SIZE A2
2 PLC ±0.25	CAGE CODE 00779
3 PLC ±	DRAWING NO C-1971777
4 PLC ±	RESTRICTED TO -
ANGLES ±	SCALE -
FINISH ±	SHEET 2 OF 2
MATERIAL SEE TABLE	Customer Drawing
	REV D

单击下面可查看定价，库存，交付和生命周期等信息

[>>TE Connectivity\(泰科\)](#)