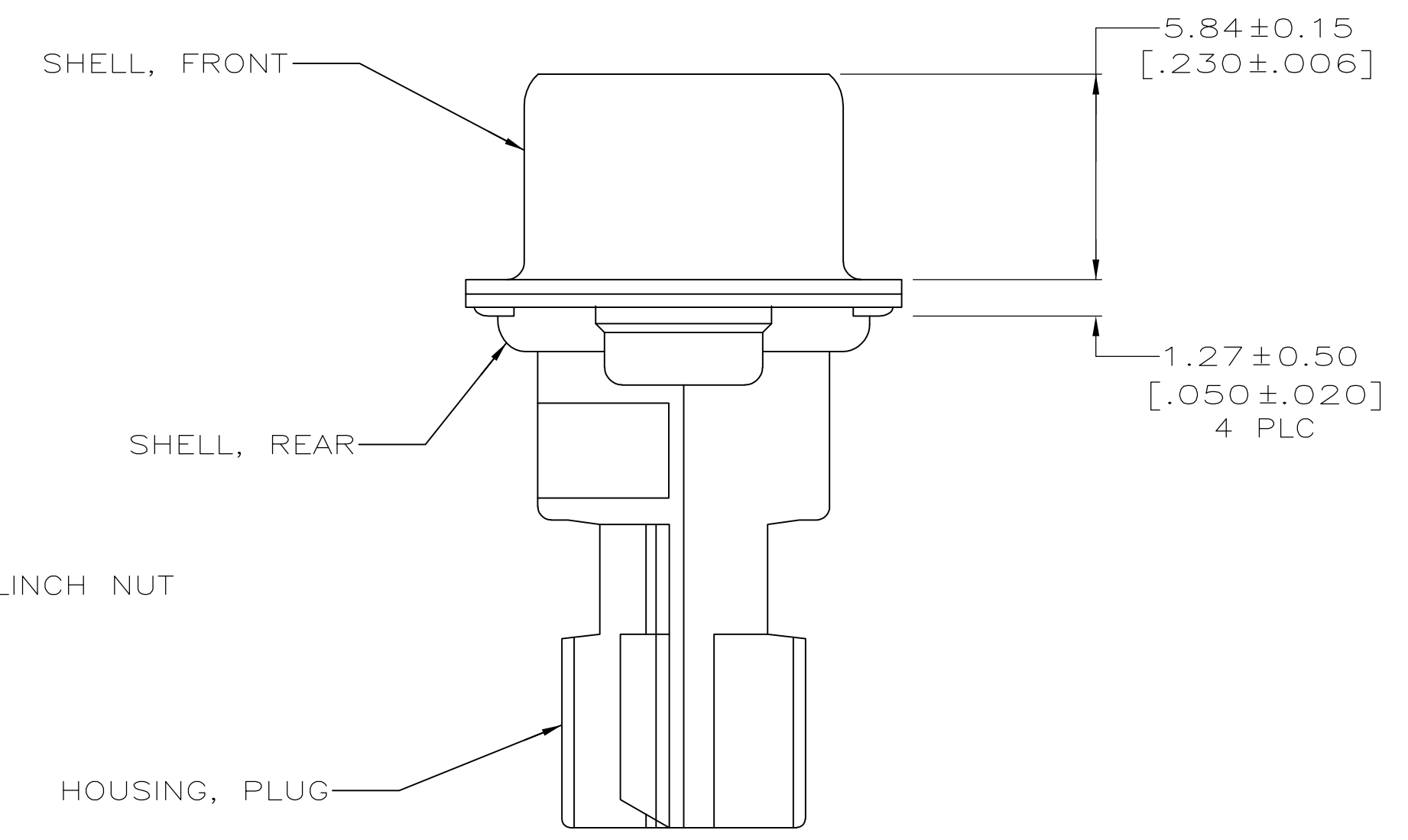
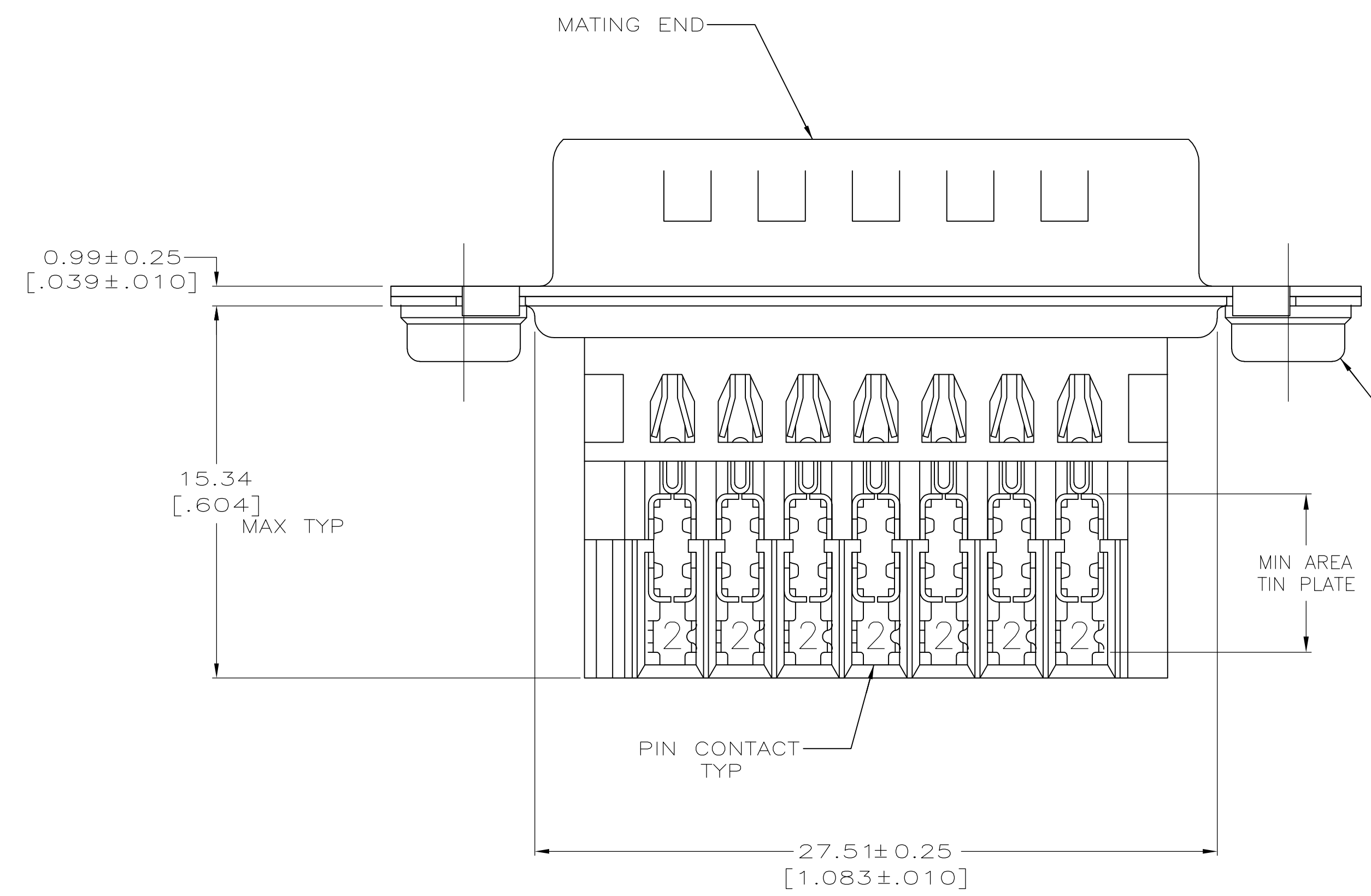


- 1 HOUSING, PLUG: THERMOPLASTIC, UL 94V-0 RATED, BLACK.
 CLINCH NUT, FRONT & REAR SHELL: CARBON STEEL.
 PIN CONTACT: PHOSPHOR BRONZE.
- 2 PIN CONTACT: GOLD PLATED FOR A LENGTH OF 3.81 [.150] MIN FROM MATING END, 1.27µm [.000050] MIN GOLD IN MATED AREA, 2.54-5.08µm [.000100-.000200] MATTE TIN IN AREA SHOWN, ALL OVER 1.27µm [.000050] MIN NICKEL UNDERPLATE ON ENTIRE CONTACT.
 OR
 GOLD PLATED FOR A LENGTH OF 3.81 [.150] MIN FROM MATING END, GOLD FLASH OVER PALLADIUM-NICKEL, 1.27µm [.000050] MIN TOTAL IN MATED AREA, 2.54-5.08µm [.000100-.000200] MATTE TIN IN AREA SHOWN, ALL OVER 1.27µm [.000050] MIN NICKEL UNDERPLATE ON ENTIRE CONTACT.
 SHELL, REAR: 0.64µm [.000200] MIN TIN OVER 2.54µm [.000100] MIN COPPER.
 SHELL, FRONT: 0.64µm [.000200] MIN TIN OVER 2.54µm [.000100] MIN COPPER.
 CLINCH NUT: ZINC, CLEAR CHROMATE.



#22-26	5787642-1
AWG WIRE RANGE	PART NO

THIS DRAWING IS A CONTROLLED DOCUMENT.		DWG G. ATTADIA - 11-12-04	Tyco Electronics Corporation Harrisburg, PA 17105-3608	
DIMENSIONS: mm [INCHES]		CHK J. GERACE	APPROVED M. WALMSLEY 11-12-04	
TOLERANCES UNLESS OTHERWISE SPECIFIED:		NAME		
0 PLC	± -	PRODUCT SPEC		
1 PLC	± -	108-40011		
2 PLC	± 0.13 [.005]	APPLICATION SPEC		
3 PLC	± -	114-40002		
4 PLC	± -	SIZE CAGE CODE DRAWING NO		
ANGLES	± -	A1 00779 C=5787642		
FINISH	± -	RESTRICTED TO		
MATERIAL		WEIGHT -		
CUSTOMER DRAWING		SCALE 6:1 SHEET 1 OF 1 REV B		

单击下面可查看定价，库存，交付和生命周期等信息

[>>TE Connectivity\(泰科\)](#)