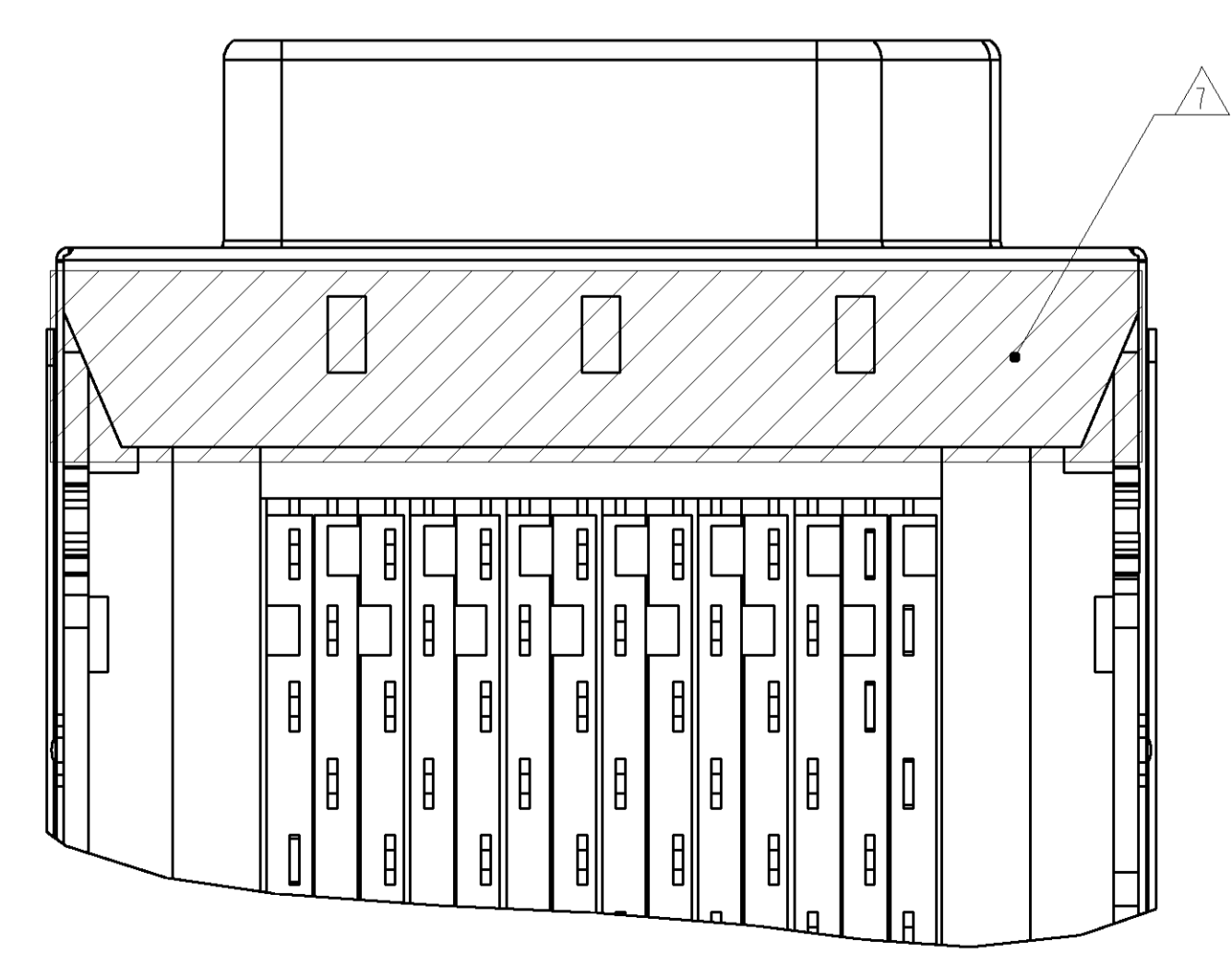
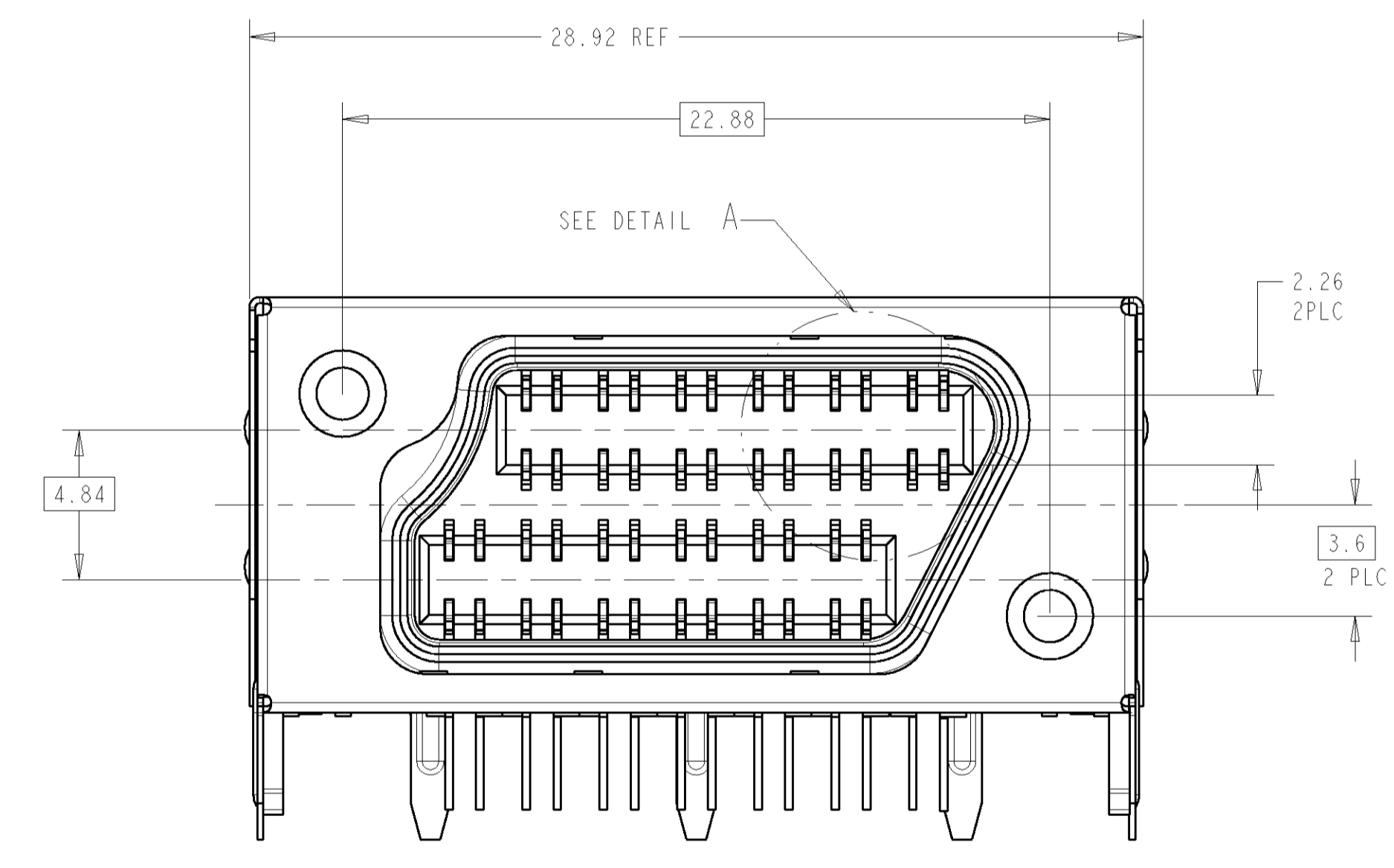
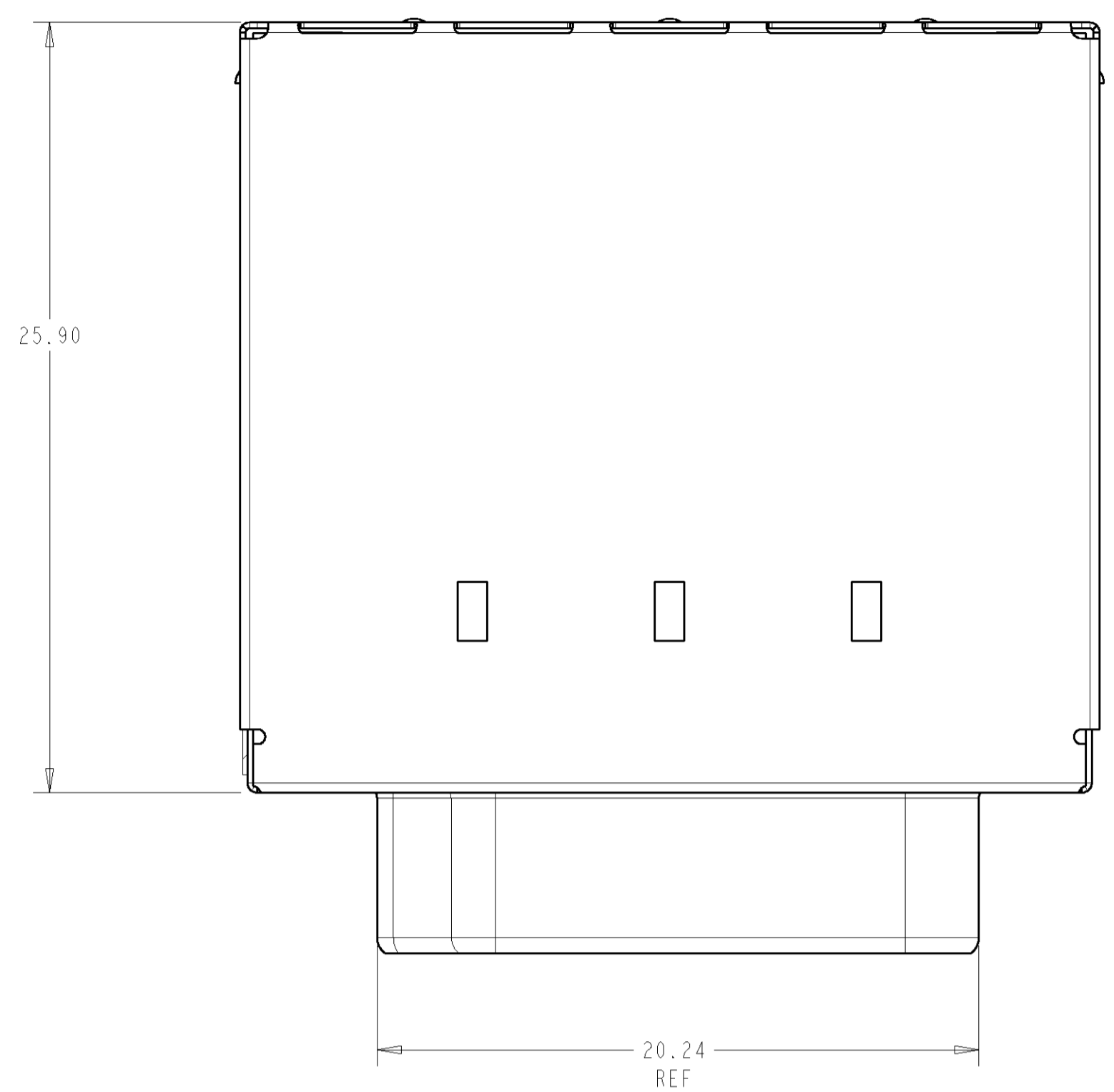


LOC		DIST		REVISIONS			
P	LTR	DESCRIPTION	DATE	DRN	APVD		
A		ECO-06-002586	03FEB2006	LAM	MY		
B		ECO-06-005597	13MAR2006	LAM	PR		
C		ECO-06-009340	21APR2006	LAM	PR		
D		ECO-07-007895	27APR2007	LAM	PR		



1. MATERIAL:
 HOUSING - BLACK THERMOPLASTIC, PBT FLAMMABILITY RATING UL 94V-0
 SHIELD - 0.2 MM THICK BRASS - PLATED WITH 1.98µm MIN THK. TIN. OVER 1.27µm MIN THK NICKEL
 FRONT DRAWN SHELL - CARBON STEEL - PLATED WITH 5.08µm MIN NICKEL
 BOARD LOCKS - BRASS PLATED WITH 1.27µm MIN TIN OVER 1.27µm MIN NICKEL
 CONTACTS - 0.254 MM THK. PHOSPHOR BRONZE - ENTIRE TERMINAL PLATED WITH 2.54µm MIN NICKEL. MATING AREA PLATED WITH GOLD FLASH OVER 0.76µm MIN Pd-Ni. SOLDER TAILS WITH PLATED 1.98µm MIN TIN
 INSERTS, THREADED - MILD STEEL
 SCREW LOCKS - STAINLESS STEEL

3 THE SCREW LOCKS ARE FOR USE WITH JACKSCREWS TO PROVIDE CABLE RETENTION.

4 RECOMMENDED TORQUE FOR SCREW LOCK IS 4 IN.-LB. FOR PANEL MOUNTED VERSION, 1761715-1 AND 1761715-2.

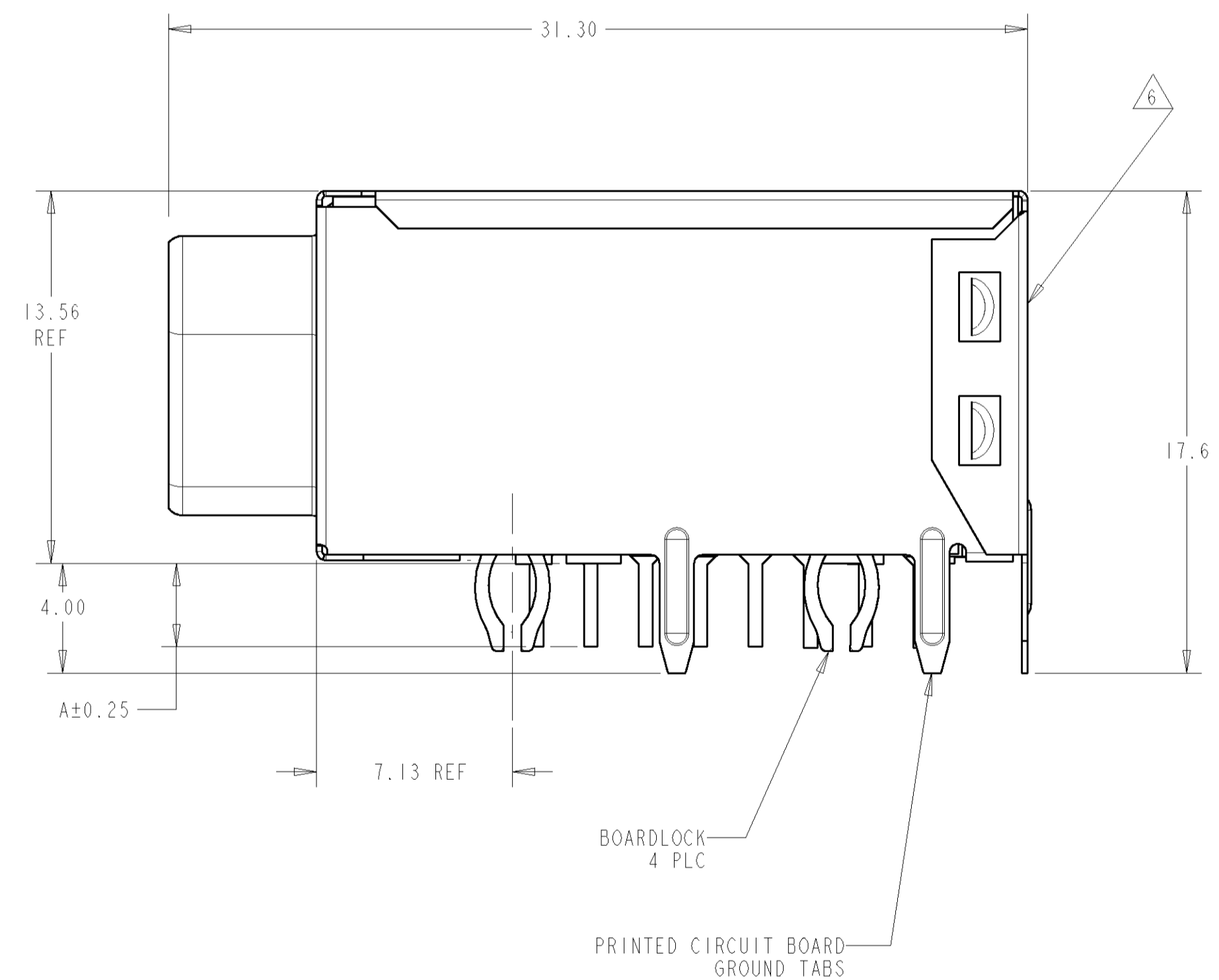
5 SCREW LOCK DESIGNATION:
 SCREW LOCKS MUST BE ORDERED SEPARATELY FROM TABLE BELOW. SCREW LOCKS PACKAGED IN QUANTITIES OF 960 PIECES.

> 1mm - < 2mm	1339381-2
0mm - ≤ 1mm	1339381-1
PANEL THICKNESS	SCREW LOCK P/N

6 DATE CODE AND PART NUMBER LABEL IN APPROXIMATE AREA SHOWN.

7 0.05 THK. INSULATING TAPE WITH 0.05 MIN THK. ADHESIVE BACKING IN AREA SHOWN.

8 DATUM AND BASIC DIMENSIONS ESTABLISHED BY CUSTOMER

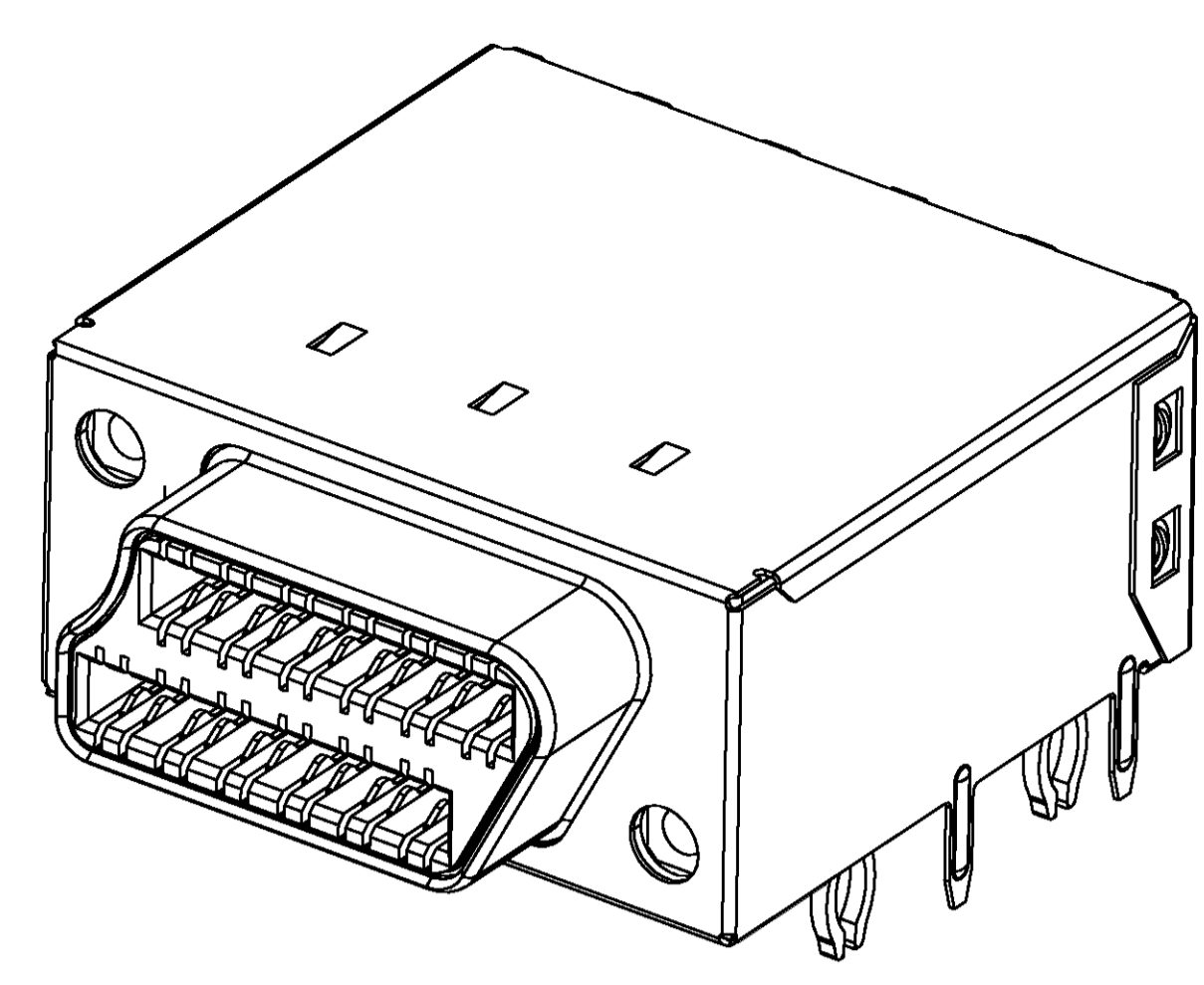


1761715-1 SHOWN

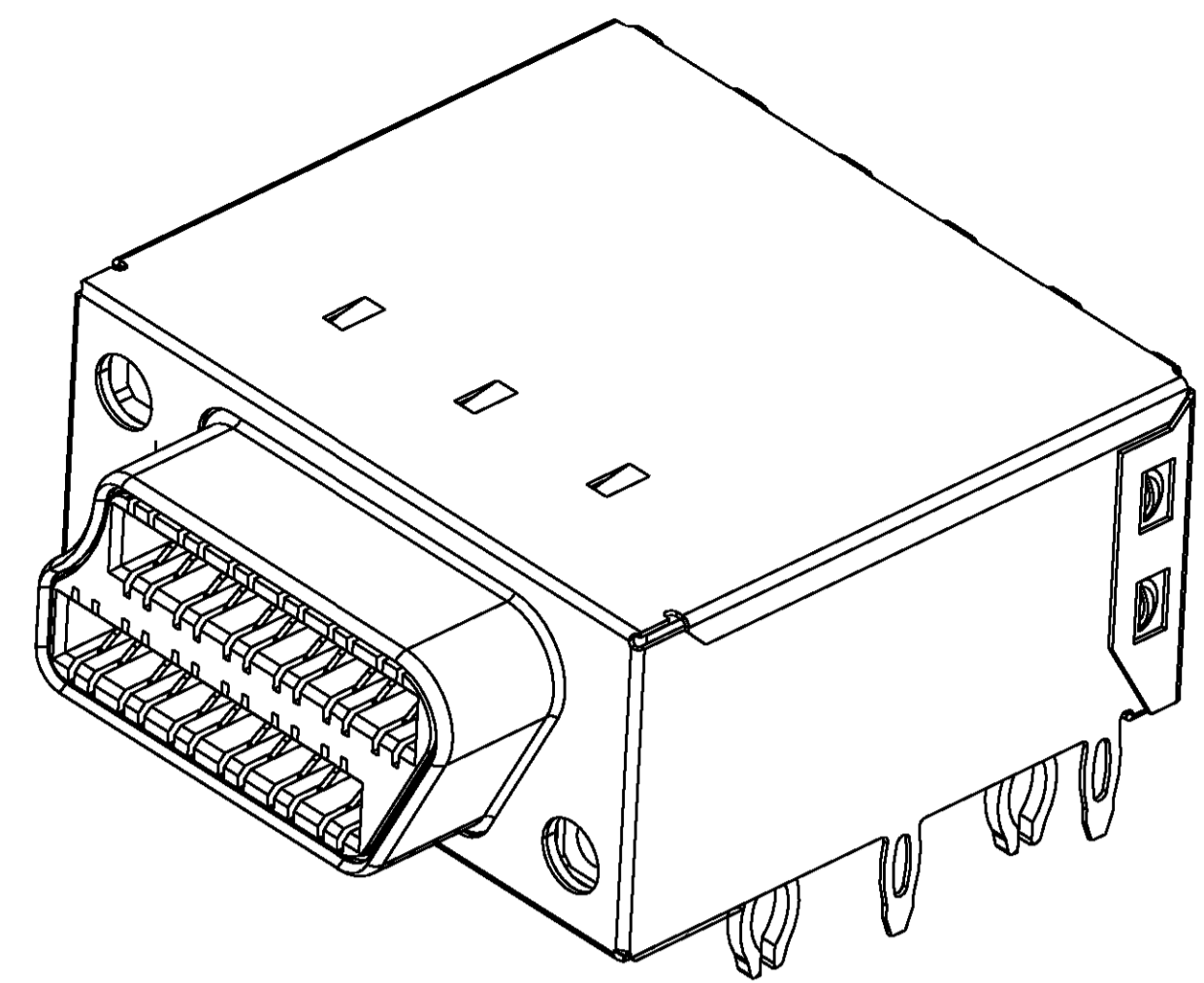
PRESS-FIT	3.04	1761715-2
SOLDERTAIL	4.54	1761715-1
TERMINATION	DIM "A"	PART NUMBER

DIMENSIONS: mm: 0 PLC ±, 1 PLC ±0.1, 2 PLC ±0.10, 3 PLC ±, 4 PLC ±, ANGLES ±		TOLERANCES UNLESS OTHERWISE SPECIFIED: FINISH: -		DRN: R. GRZYBOWSKI 03FEB2006 ENR: M. YEOMANS 03FEB2006 APVD: S. FLICKINGER 03FEB2006		Tyco Electronics Harrisburg, PA 17105-3608	
MATERIAL: SEE NOTE 1		PRODUCT SPEC: 108-2064 APPLICATION SPEC: -		NAME: ASSEMBLY, RECEPTACLE, 48 POSITION, MR J21		RESTRICTED TO: -	
CUSTOMER DRAWING		WEIGHT: - SCALE: 6:1		SIZE: CAGE CODE: 00779 DRAWING NO: 1761715		SHEET 1 OF 4 REV D	

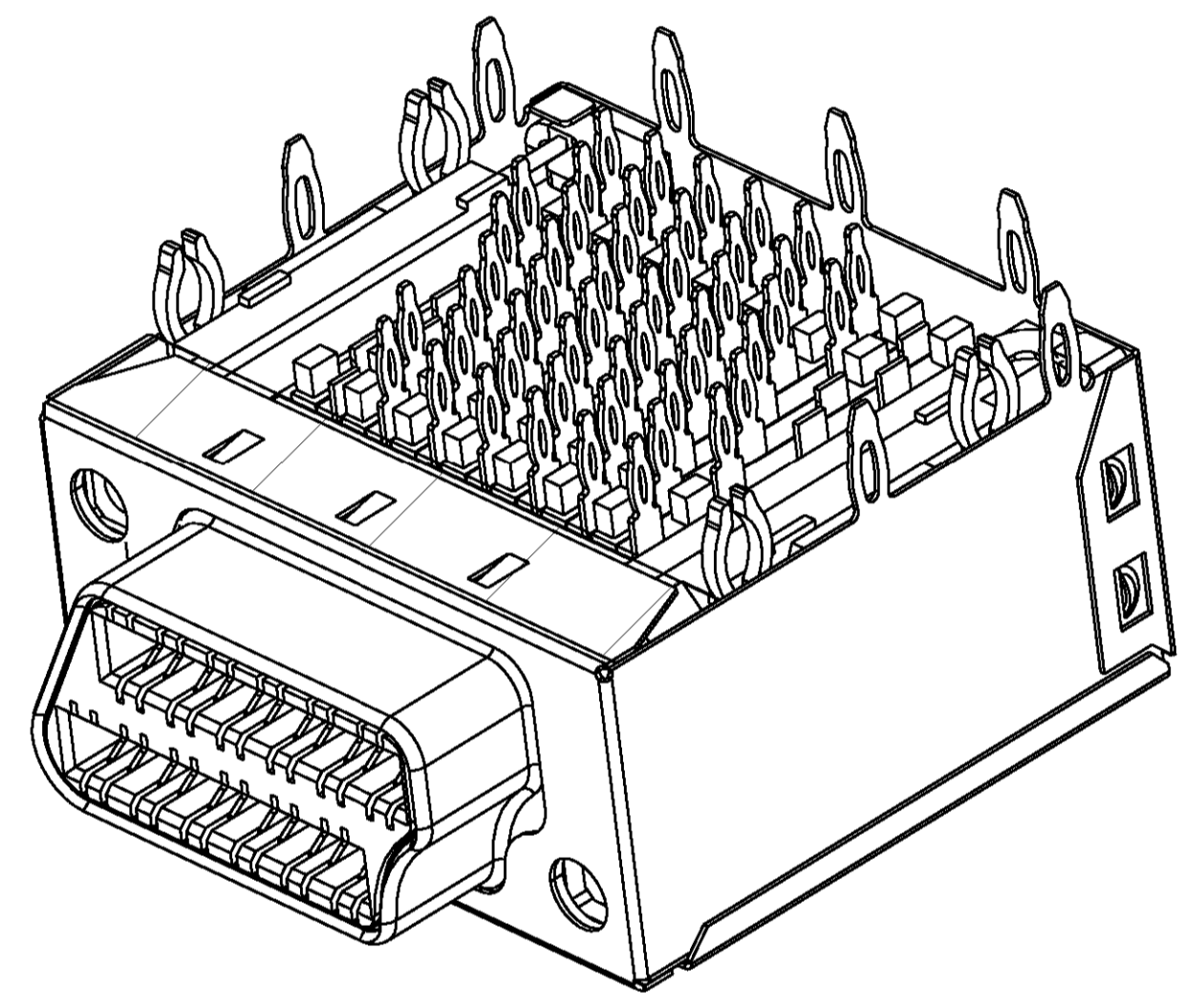
LOC	DIST	REVISIONS					
AA	00	P	LTN	DESCRIPTION	DATE	DRN	APPR
-	-	-	-	SEE SHEET 1	-	-	-



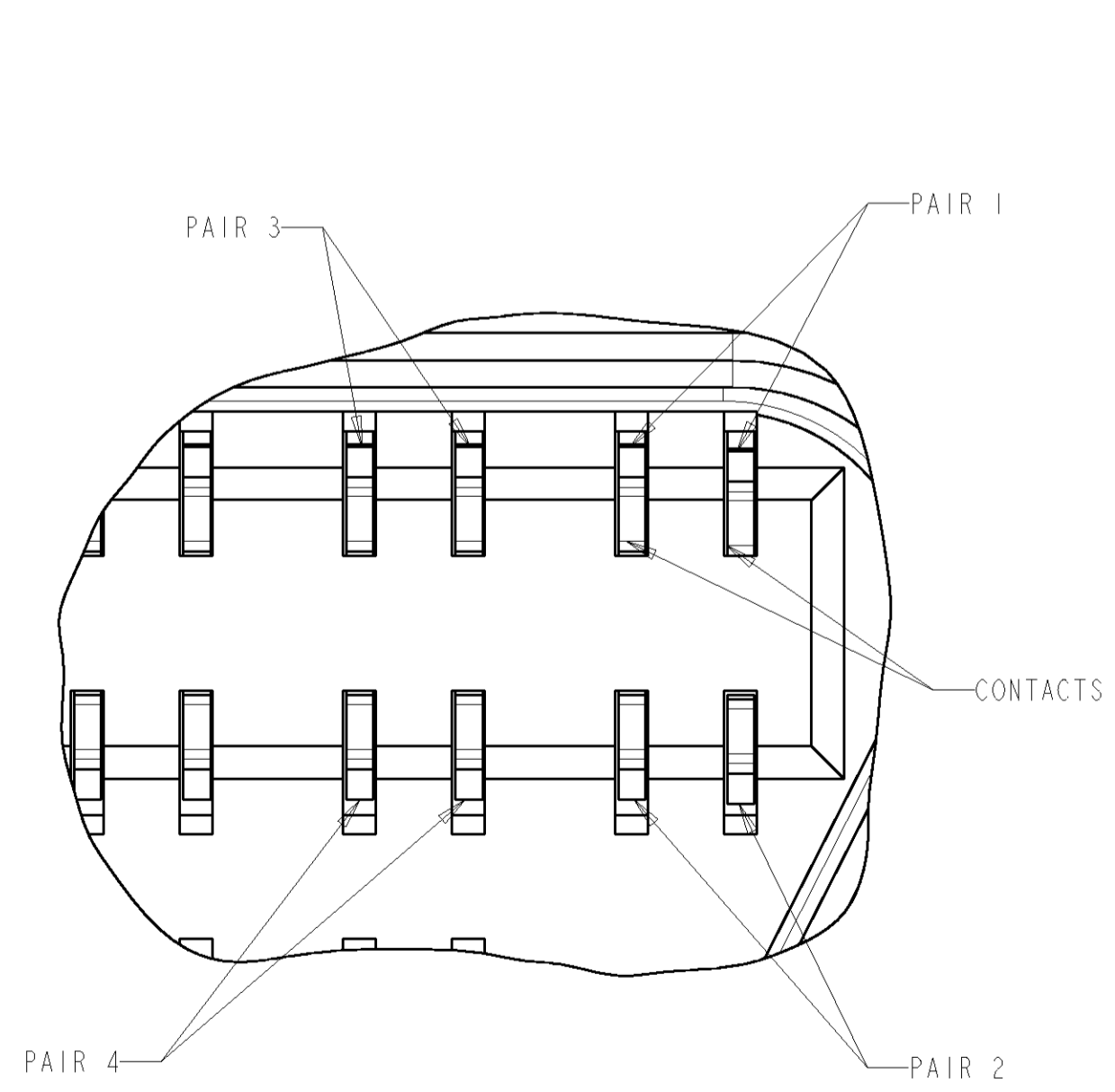
1761715-1
SCALE 4:1



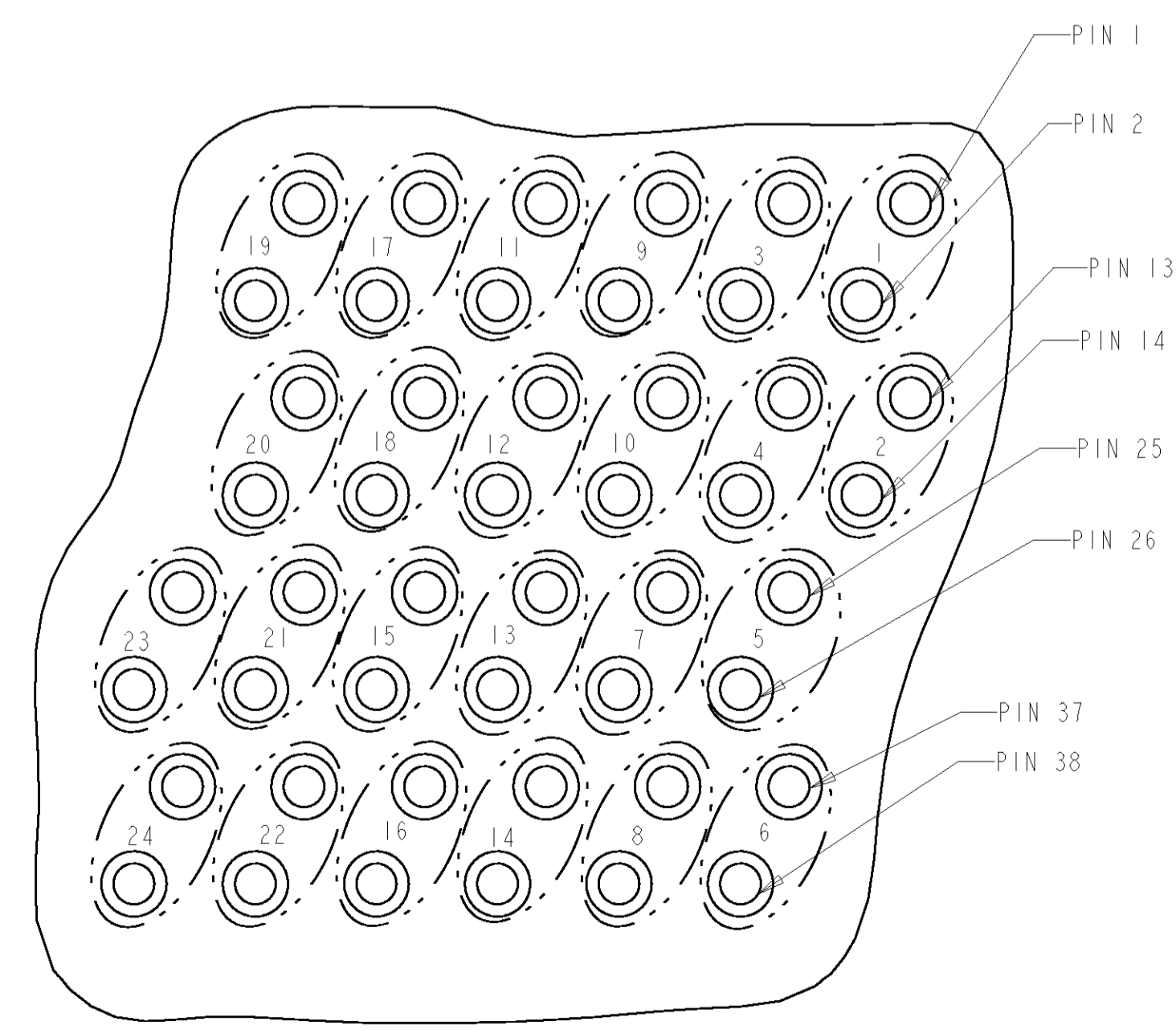
1761715-2
PRESS-FIT VERSION
SCALE 4:1



PRESS-FIT
BOTTOM VIEW
SCALE 4:1



DETAIL A
SCALE 16:1



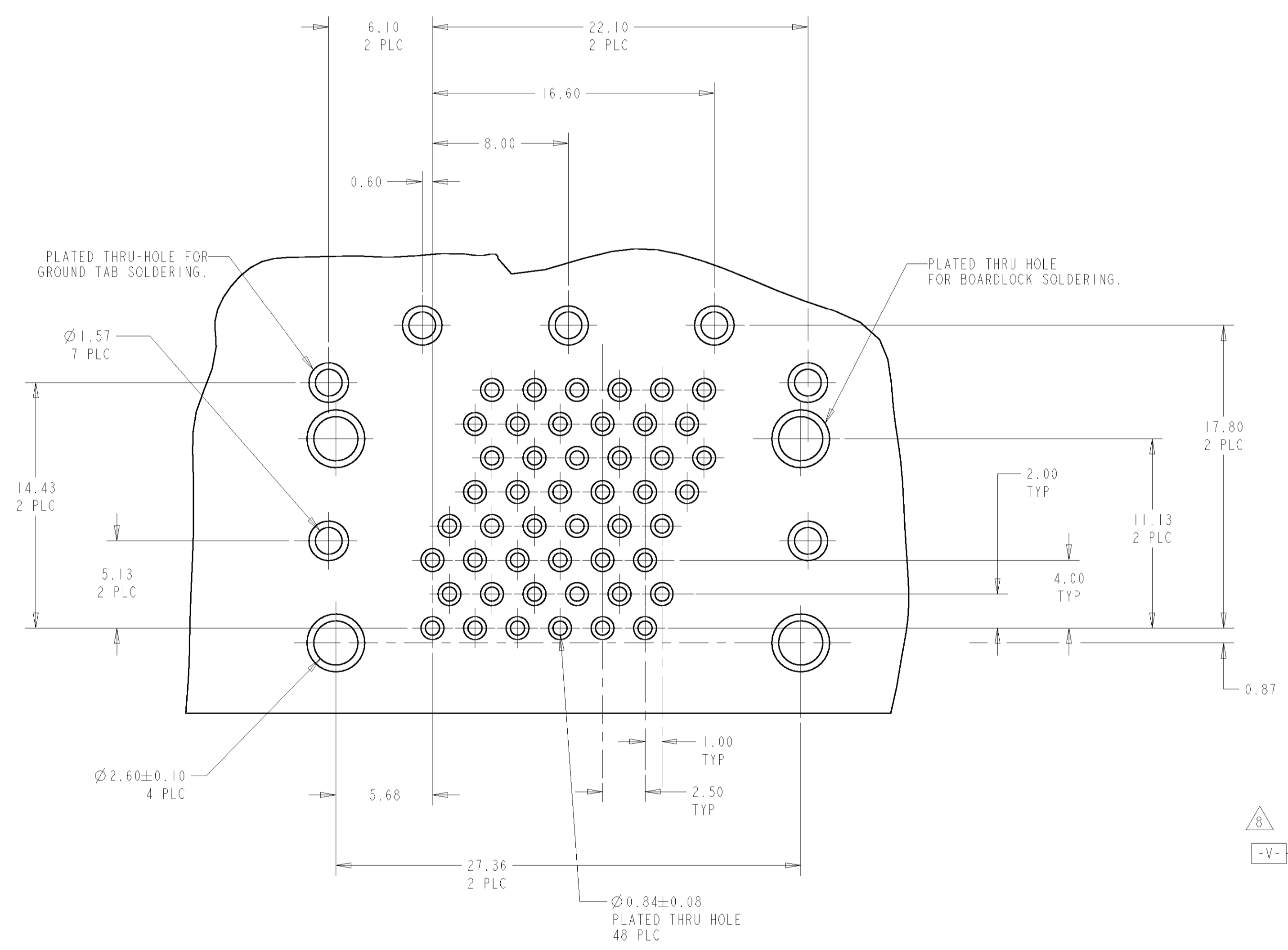
PROPOSED PAIR GROUPING

MODULAR PLUG AND RJ-21 PIN-OUT FOR USE IN 10/100/1000 BASE-T APPLICATIONS

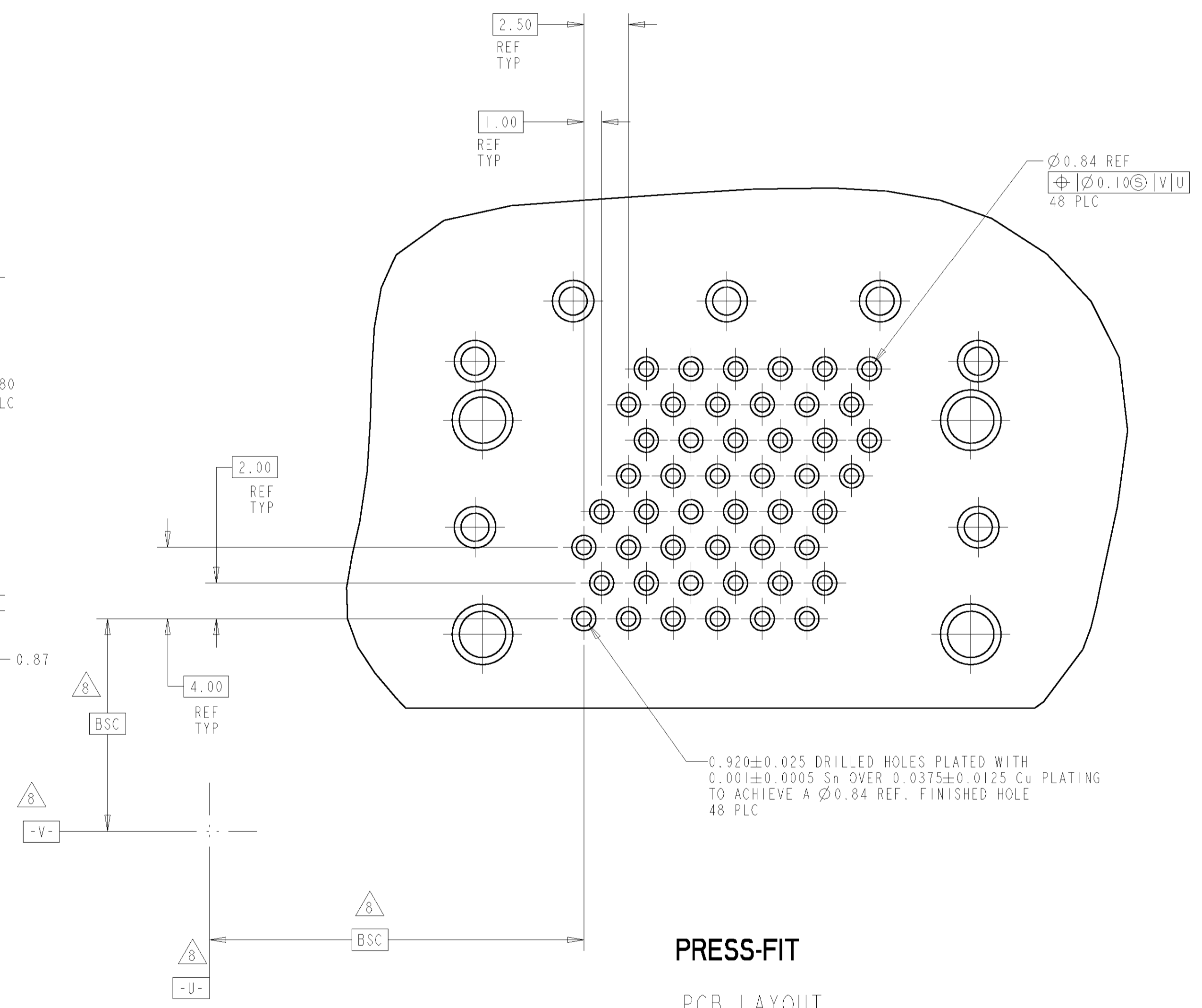
GIG ETHERNET PORT	PLUG POSN.	COLOR	10/100 ETHERNET PORT	PLUG POSN.	COLOR	RJ-21 PIN	MRJ 21 PIN	MRJ 21 PAIR NUM
1	5	WHT/BLU	1	1	WHT/BLU	26	1	1
	4	BLU/WHT		2	BLU/WHT	1	2	
	3	WHT/ORG		3	WHT/ORN	27	13	2
	6	ORG/WHT		6	ORN/WHT	2	14	
2	1	WHT/GRN	2	1	WHT/GRN	28	3	3
	2	GRN/WHT		2	GRN/WHT	3	4	
	7	WHT/BRN		3	WHT/BRN	29	15	4
	8	BRN/WHT		6	BRN/WHT	4	16	
3	5	WHT/GRY	3	1	WHT/GRY	30	25	5
	4	GRY/WHT		2	GRY/WHT	5	26	
	3	RED/BLU		3	RED/BLU	31	37	6
	6	BLU/RED		6	BLU/RED	6	38	
4	1	RED/ORG	4	1	RED/ORN	32	27	7
	2	ORG/RED		2	ORN/RED	7	28	
	7	RED/GRN		3	RED/GRN	33	39	8
	8	GRN/RED		6	GRN/RED	8	40	
5	5	RED/BRN	5	1	RED/BRN	34	5	9
	4	BRN/RED		2	BRN/RED	9	6	
	3	RED/GRY		3	RED/GRAY	35	17	10
	6	GRY/RED		6	GRY/RED	10	18	
6	1	BLK/BLU	6	1	BLK/BLU	36	7	11
	2	BLU/BLK		2	BLU/BLK	11	8	
	7	BLK/ORG		3	BLK/ORN	37	19	12
	8	ORG/BLK		6	ORN/BLK	12	20	
7	5	BLK/GRN	7	1	BLK/GRN	38	29	13
	4	GRN/BLK		2	GRN/BLK	13	30	
	3	BLK/BRN		3	BLK/BRN	39	41	14
	6	BRN/BLK		6	BRN/BLK	14	42	
8	1	BLK/GRY	8	1	BLK/GRY	40	31	15
	2	GRY/BLK		2	GRY/BLK	15	32	
	7	YEL/BLU		3	YEL/BLU	41	43	16
	8	BLU/YEL		6	BLU/YEL	16	44	
9	5	YEL/ORG	9	1	YEL/ORN	42	9	17
	4	ORG/YEL		2	ORN/YEL	17	10	
	3	YEL/GRN		3	YEL/GRN	43	21	18
	6	GRN/YEL		6	GRN/YEL	18	22	
10	1	YEL/BRN	10	1	YEL/BRN	44	11	19
	2	BRN/YEL		2	BRN/YEL	19	12	
	7	YEL/GRY		3	YEL/GRY	45	23	20
	8	GRY/YEL		6	GRY/YEL	20	24	
11	5	VIO/BLU	11	1	VIO/BLU	46	33	21
	4	BLU/VIO		2	BLU/VIO	21	34	
	3	VIO/ORG		3	VIO/ORN	47	45	22
	6	ORG/VIO		6	ORN/VIO	22	46	
12	1	VIO/GRN	12	1	VIO/GRN	48	35	23
	2	GRN/VIO		2	GRN/VIO	23	36	
	7	VIO/BRN		3	VIO/BRN	49	47	24
	8	BRN/VIO		6	BRN/VIO	24	48	

DIMENSIONS:		TOLERANCES UNLESS OTHERWISE SPECIFIED:		DWG: R. GRZYBOWSKI 03FEB2006		Tyco Electronics Tyco Electronics Harrisburg, PA 17105-3608	
mm	0 PLC ±	1 PLC ±0.10	3 PLC ±	4 PLC ±	APPR: M. YEOMANS 03FEB2006	NAME: ASSEMBLY, RECEPTACLE, 48 POSITION, MR J21	
MATERIAL: SEE NOTE 1		FINISH: -		PRODUCT SPEC: 108-2064		APPLICATION SPEC: -	
CUSTOMER DRAWING		SCALE: 6:1		SHEET: 2 OF 4		REV: D	

LOC	DIST	REVISIONS			
P	LTR	DESCRIPTION	DATE	DNW	APVD
-	-	SEE SHEET 1	-	-	-



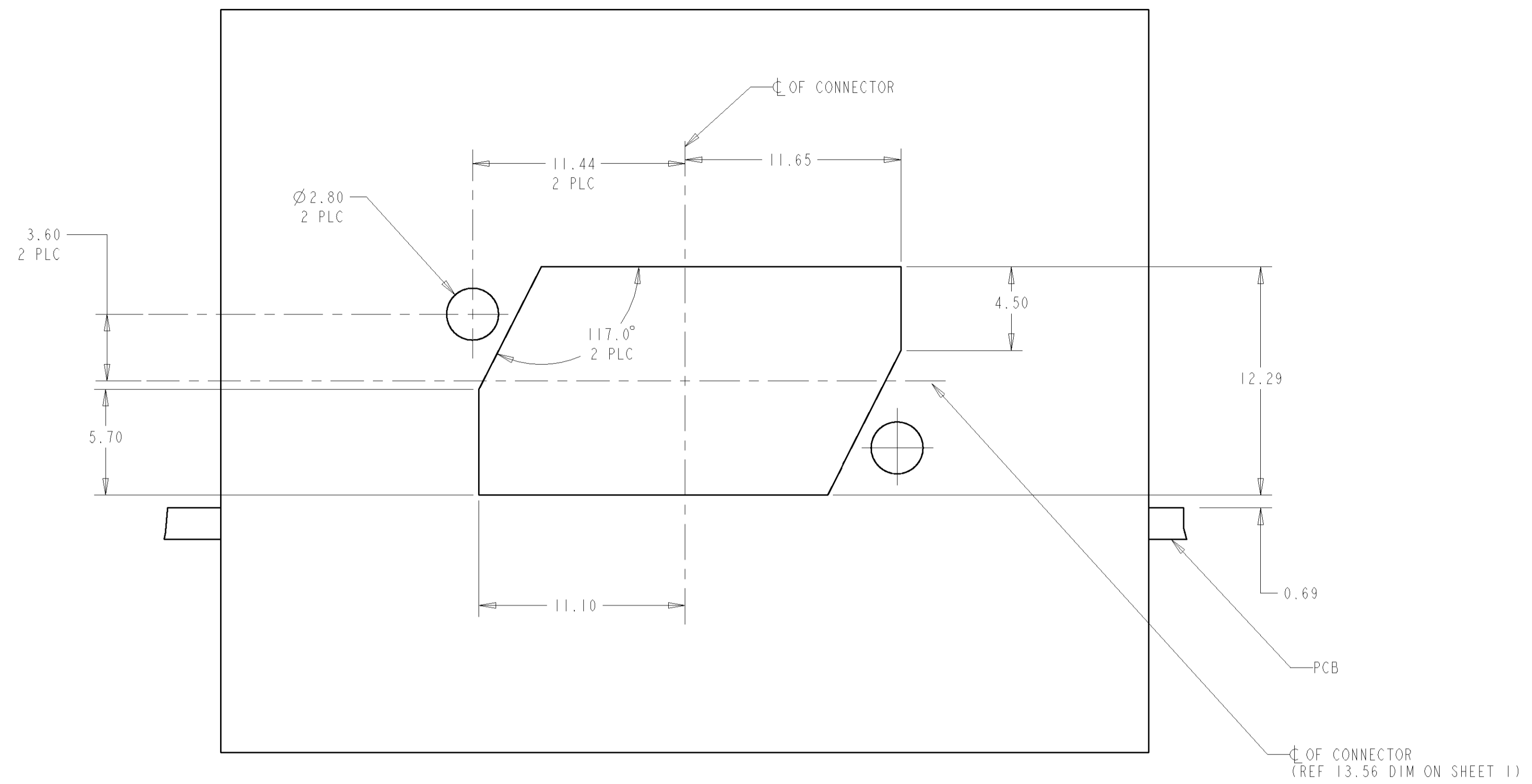
PCB LAYOUT
 FOR SOLDER TAILS
 COMPONENT SIDE
 SCALE 5:1



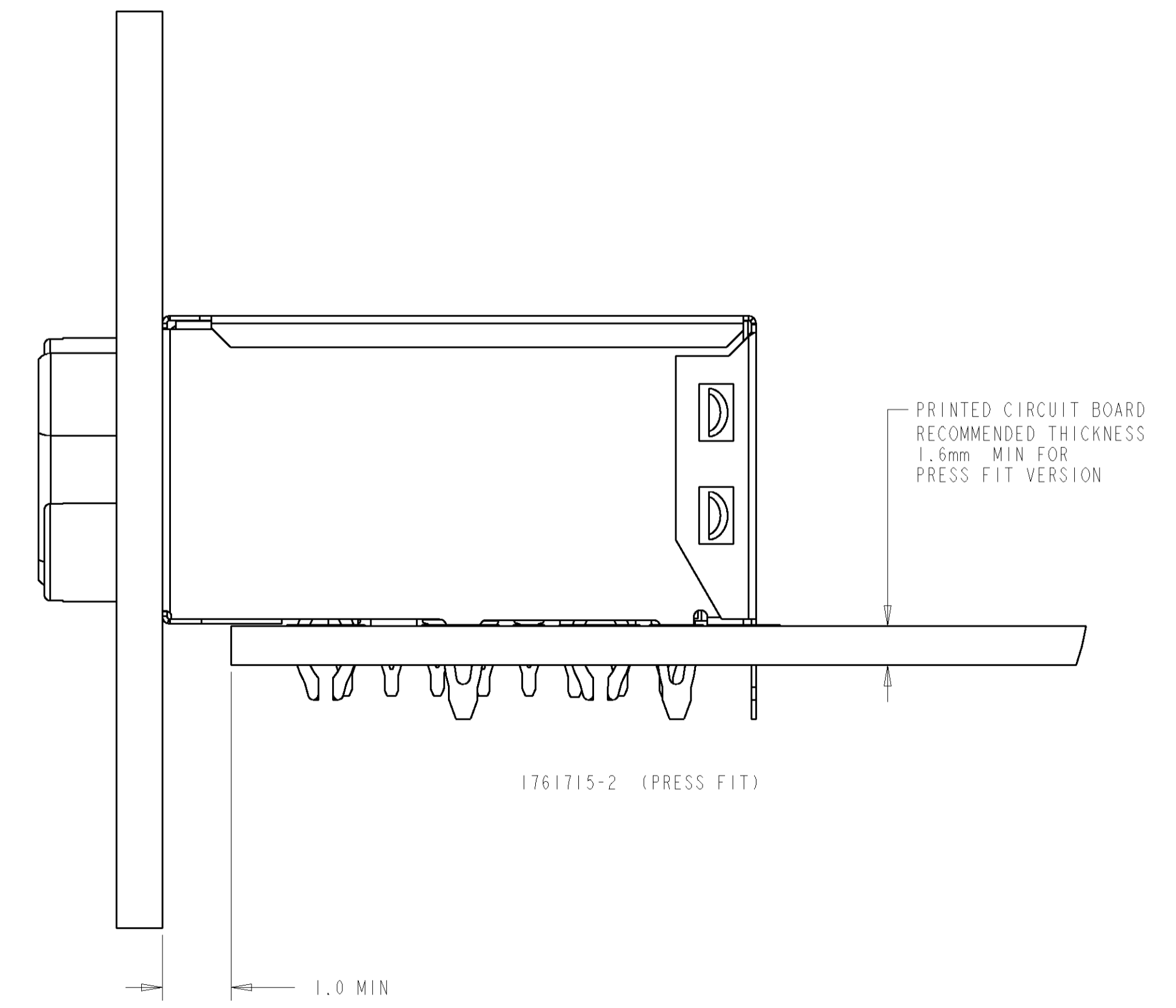
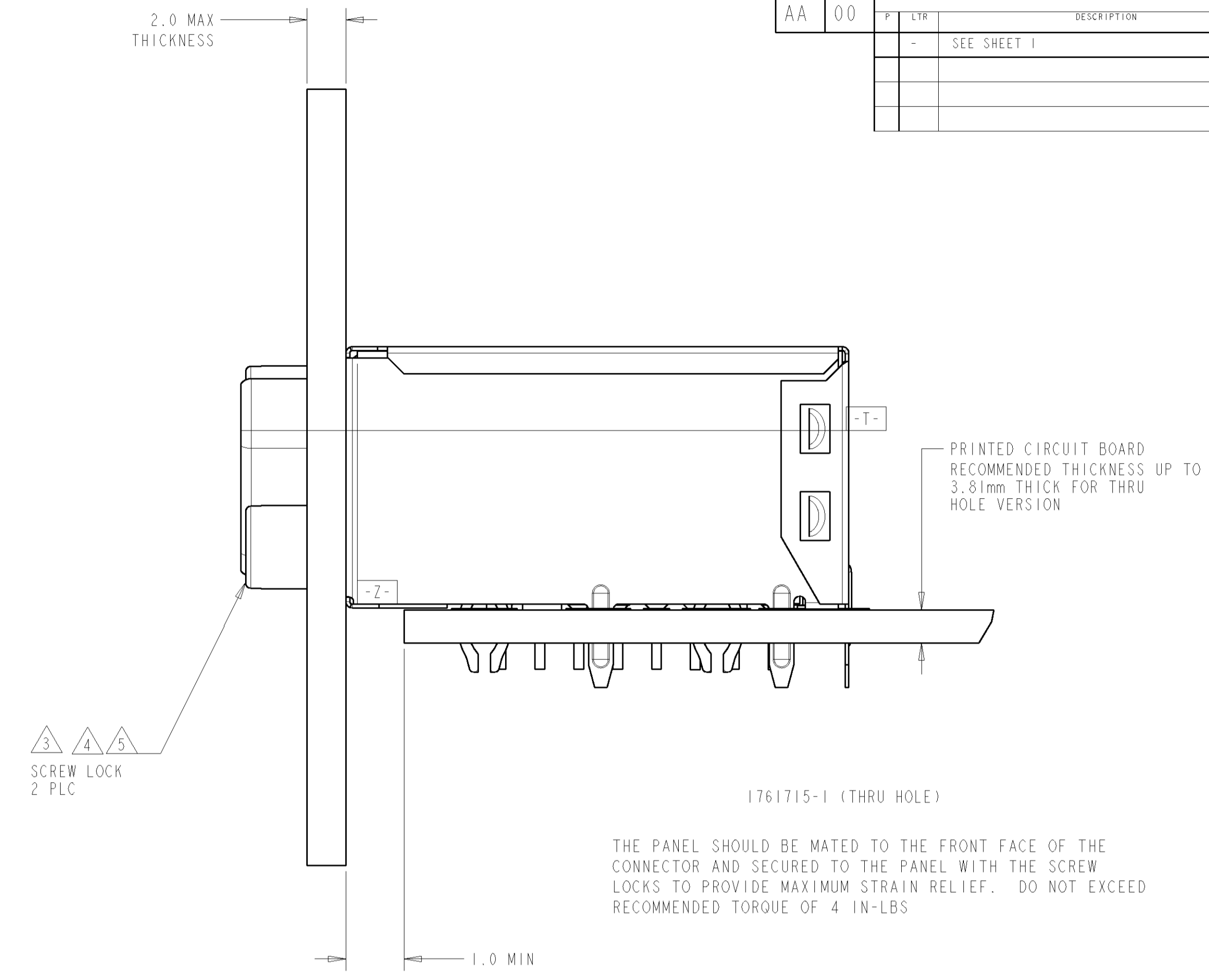
PRESS-FIT
 PCB LAYOUT
 SAME AS -1 EXCEPT AS NOTED
 SCALE 5:1

DIMENSIONS: mm 		TOLERANCES UNLESS OTHERWISE SPECIFIED: 0 PLC ± 1 PLC ±0.1 3 PLC ±0.10 4 PLC ± ANGLES ± FINISH -		DWN B. GRZYBOWSKI 03FEB2006 ENW M. YEOMANS 03FEB2006 APVD S. FLICKINGER 03FEB2006 PRODUCT SPEC 108-2064 APPLICATION SPEC WEIGHT - CUSTOMER DRAWING		Tyco Electronics Harrisburg, PA 17105-3608 NAME ASSEMBLY, RECEPTACLE, 48 POSITION, MR J21 SIZE CAGE CODE DRAWING NO RESTRICTED TO A 00779 C-1761715 SCALE 6:1 SHEET 3 OF 4 REV D	
-----------------------	--	---	--	--	--	---	--

LOC	DIST	P	LTR	DESCRIPTION	DATE	DNW	APVD
AA	00	-	-	SEE SHEET 1	-	-	-



RECOMMENDED PANEL CUTOUT (NO PANEL GROUNDS)
 SCALE 5:1



DIMENSIONS: mm 		TOLERANCES UNLESS OTHERWISE SPECIFIED: 0 PLC ± 1 PLC ±0.1 2 PLC ±0.10 3 PLC ± 4 PLC ± ANGLES ±°		DWN R. GRZYBOWSKI 03FEB2006 ENR M. YEOMANS 03FEB2006 APVD S. FLICKINGER 03FEB2006		Tyco Electronics Harrisburg, PA 17105-3608	
MATERIAL SEE NOTE 1 FINISH -		WEIGHT - CUSTOMER DRAWING		NAME ASSEMBLY, RECEPTACLE, 48 POSITION, MR J21 PRODUCT SPEC 108-2064 APPLICATION SPEC - SIZE CAGE CODE DRAWING NO. A1 00779 C-1761715 RESTRICTED TO -		SCALE 6:1 SHEET 4 OF 4 REV D	

单击下面可查看定价，库存，交付和生命周期等信息

[>>TE Connectivity\(泰科\)](#)