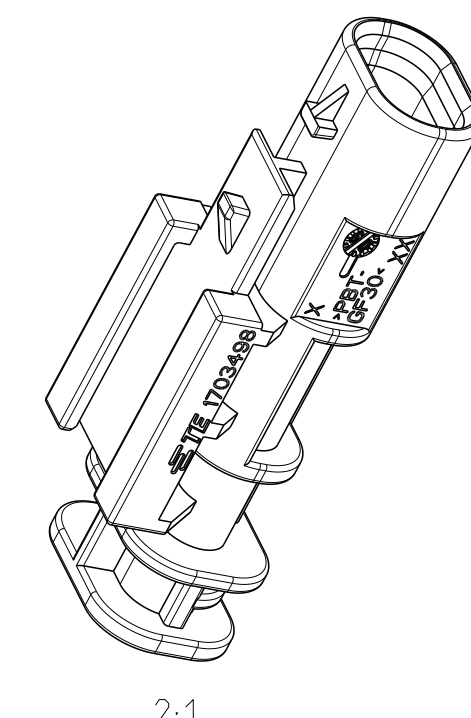
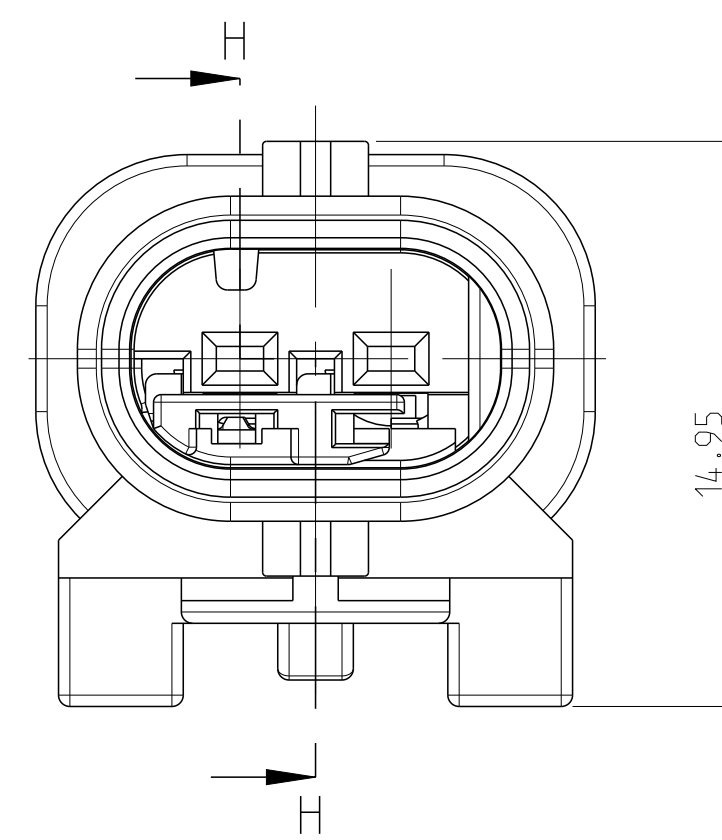
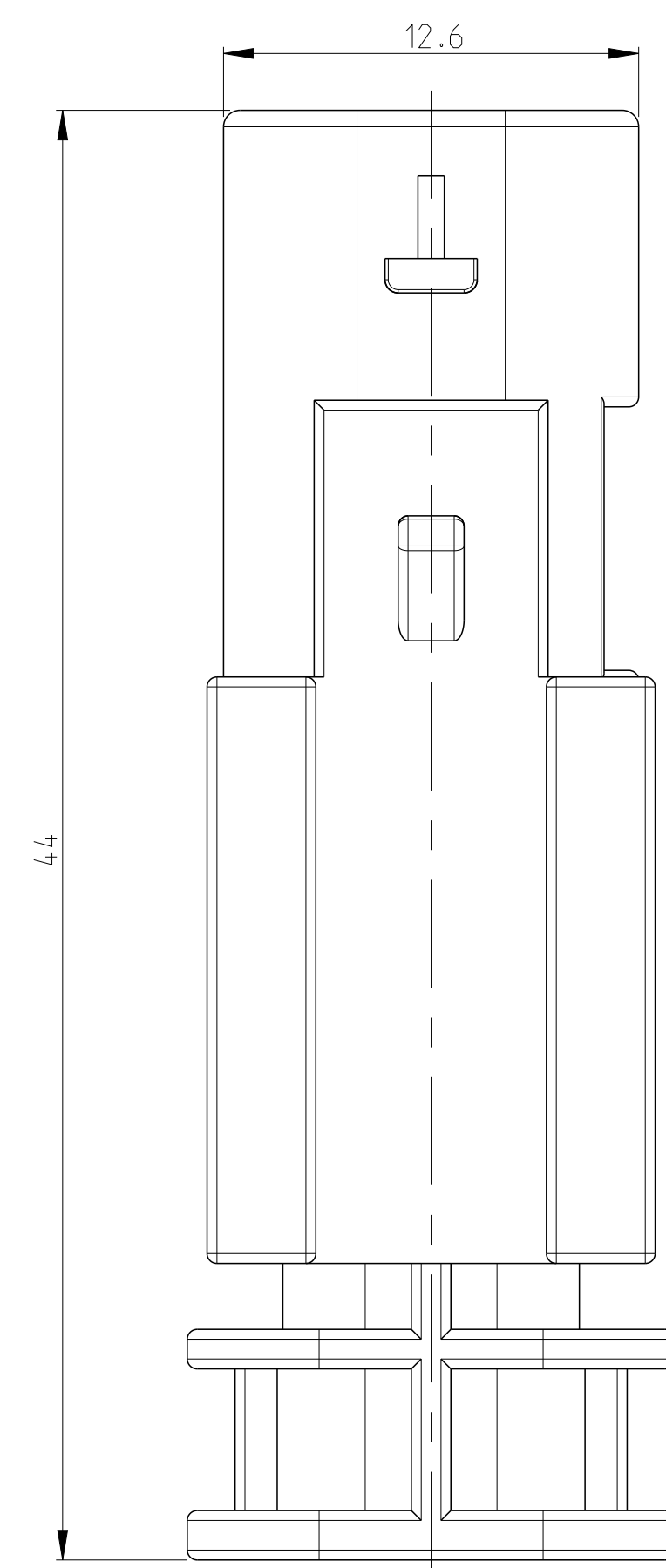
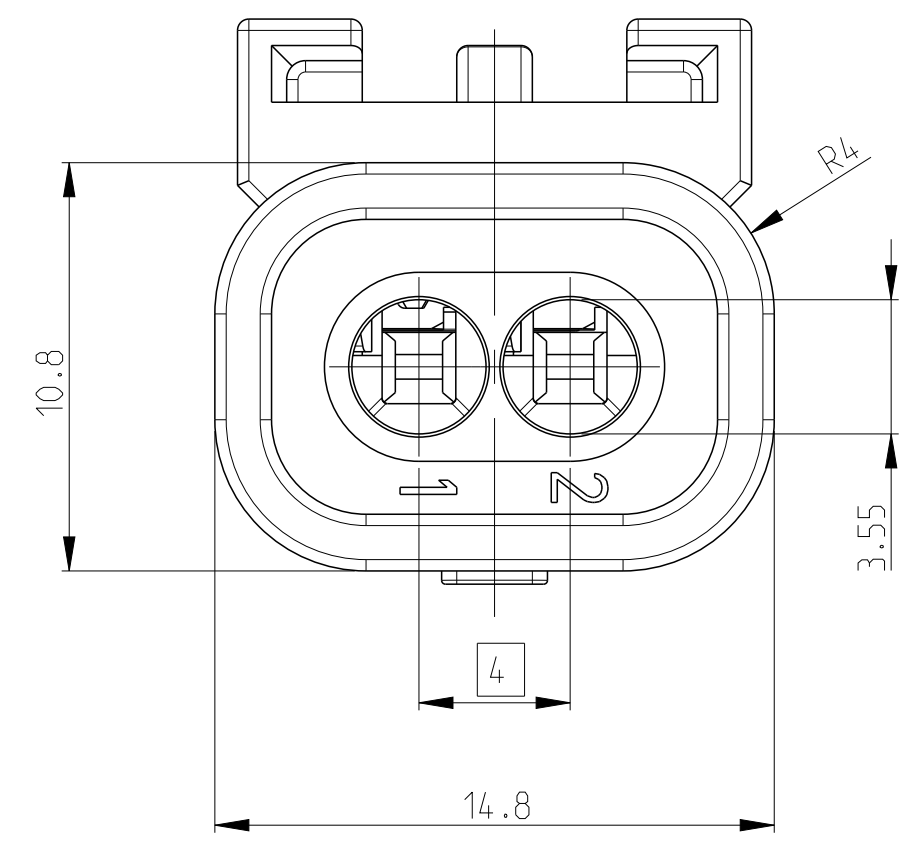
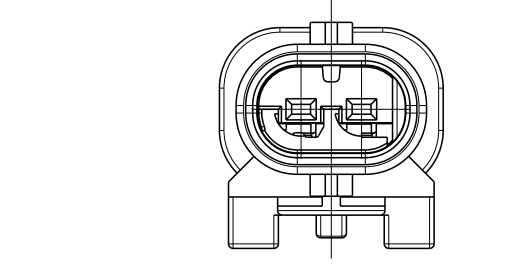


SHOWN 1-1703498-1

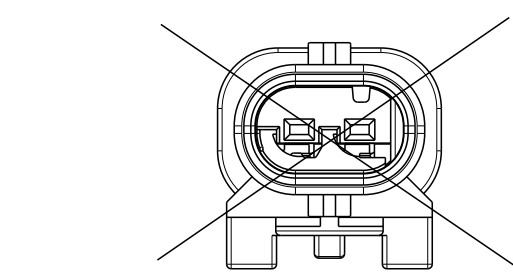


2:1

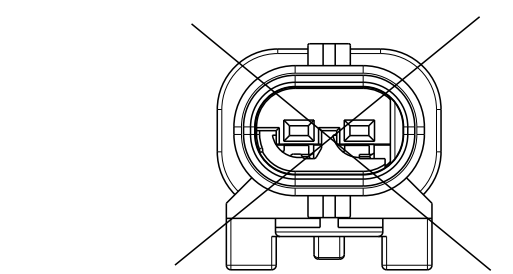
A 1-1703498-1



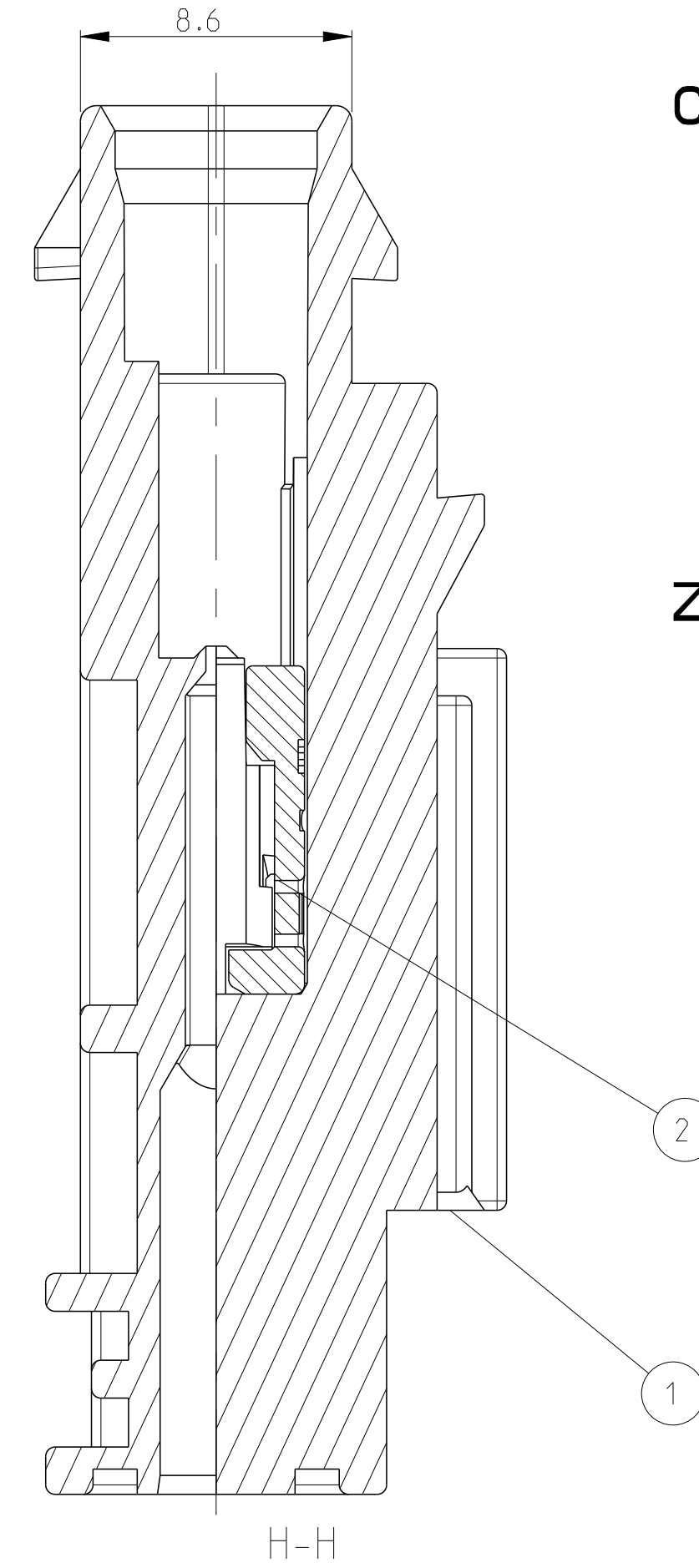
B 2-1703498-1



C 3-1703498-1

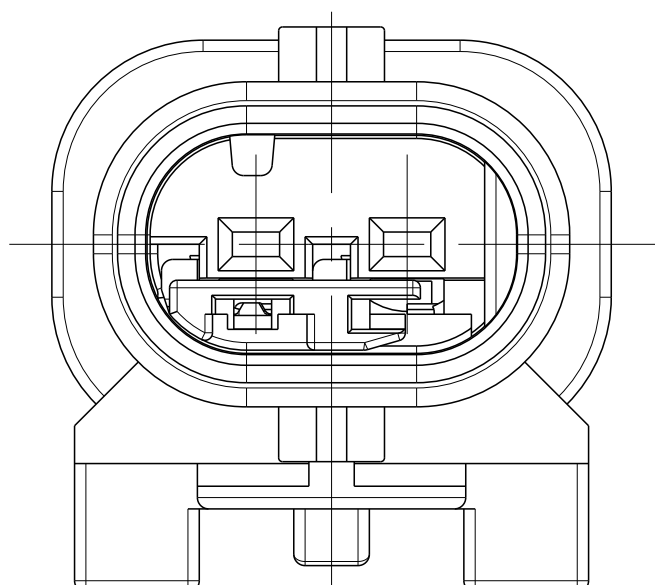


Z 4-1703498-1

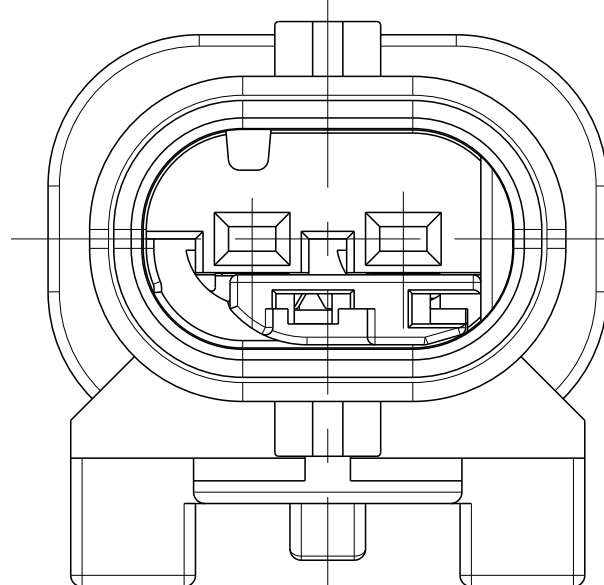


H-H

RETAINER IN PRE LOCKED POSITION
2. Kontaktsicherung in Vorraststellung

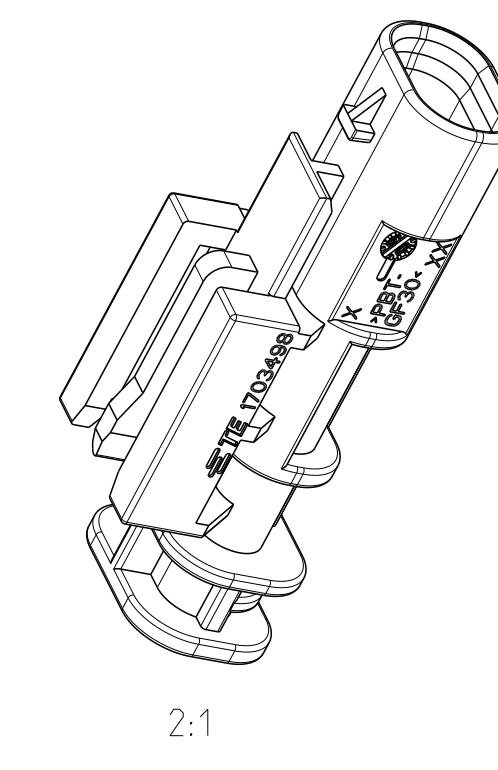
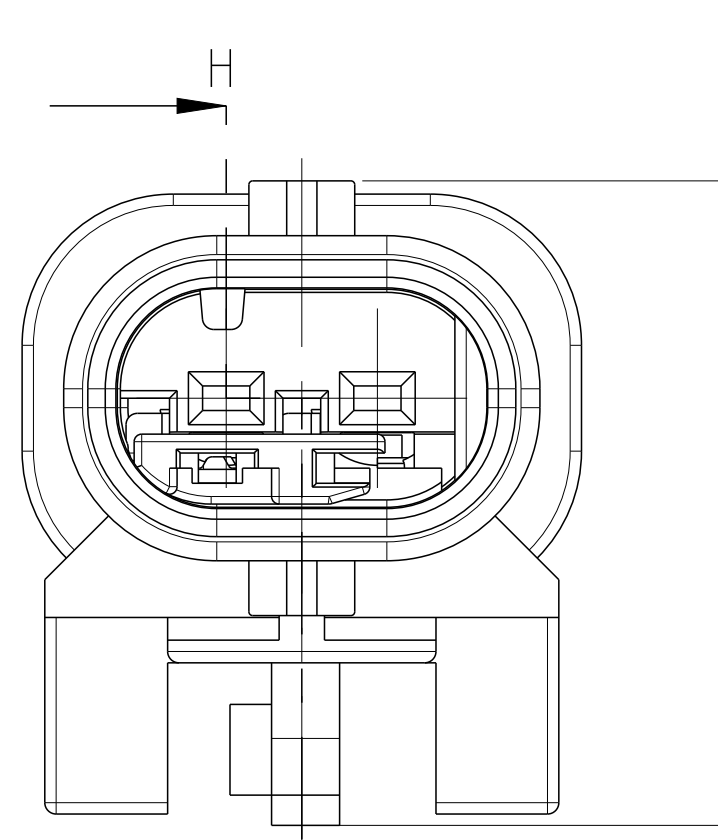
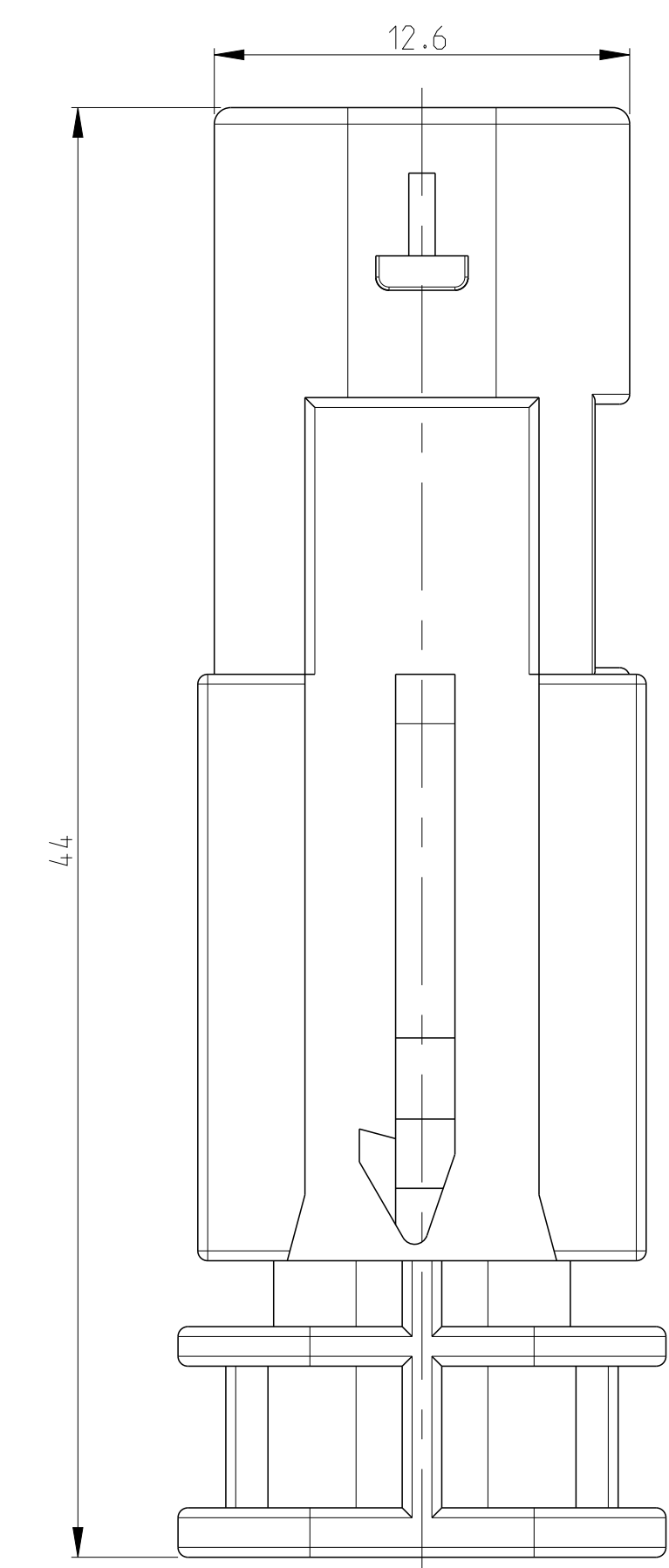
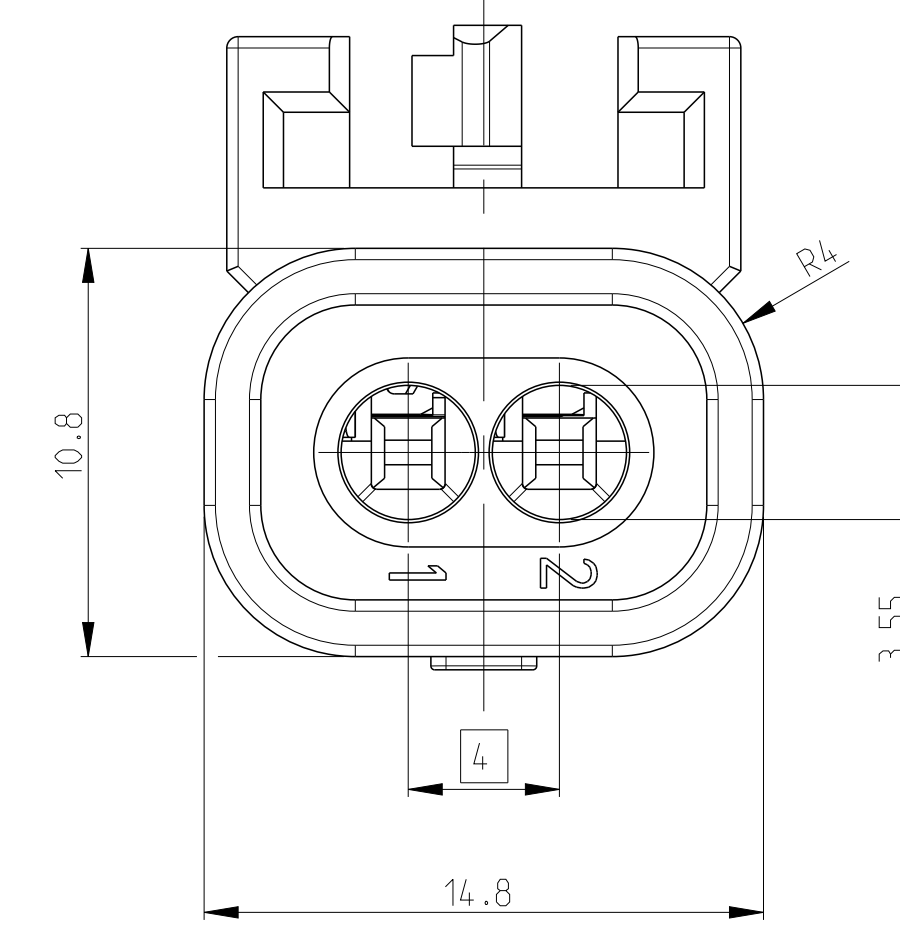


RETAINER MOVING DIRECTION
2. Kontaktsicherung Verschiebeweg



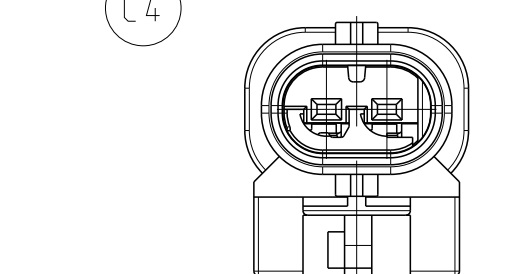
RETAINER IN FINAL LOCKED POSITION
2. Kontaktsicherung in Endraststellung

SHOWN 1-1703498-2

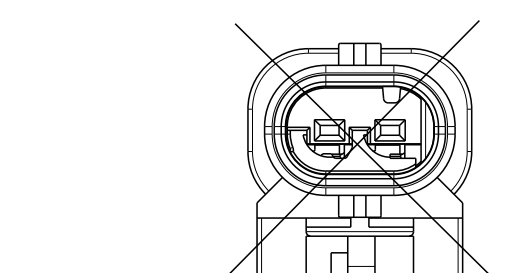


2:1

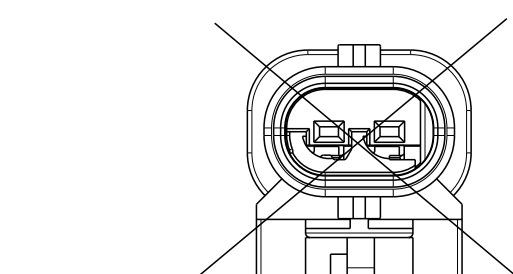
A 1-1703498-2
1-1703498-5 (VW)



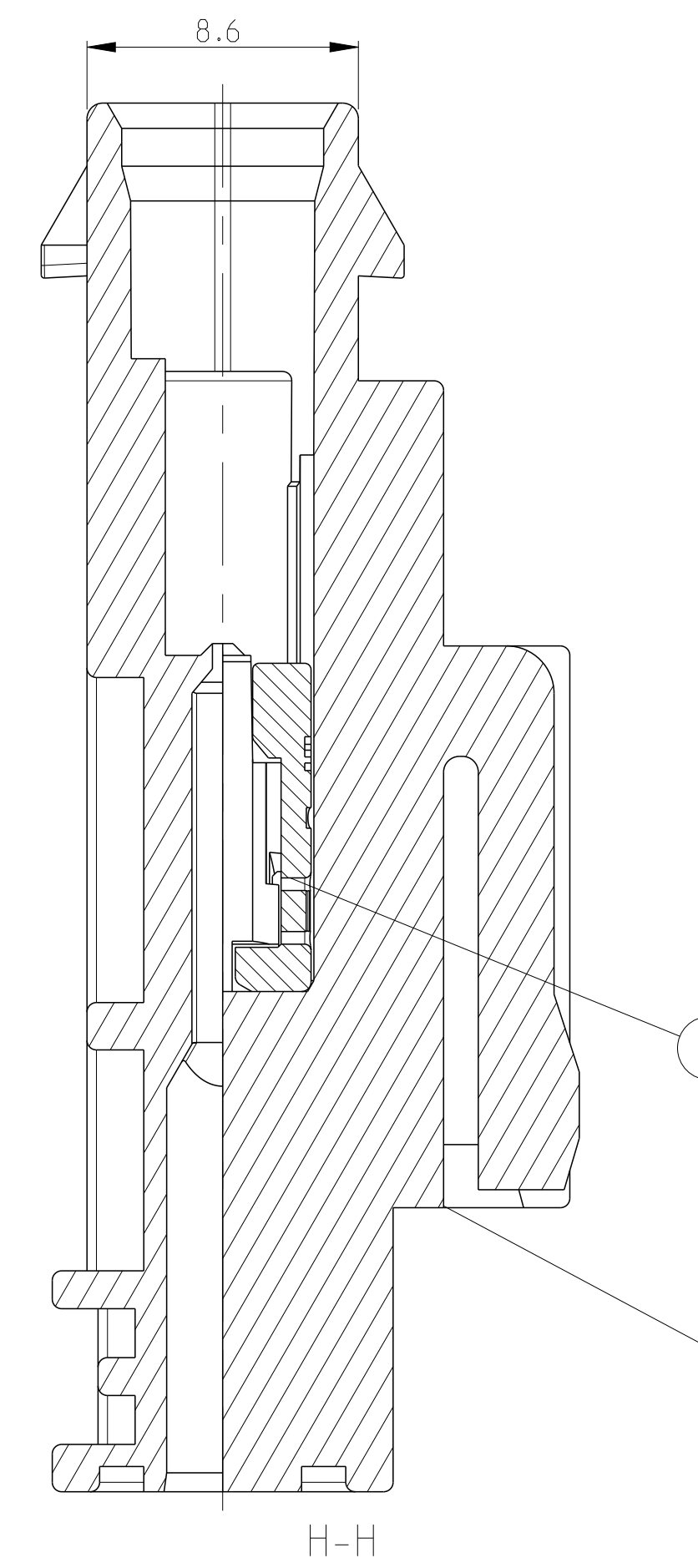
B 2-1703498-2



C 3-1703498-2



Z 4-1703498-2

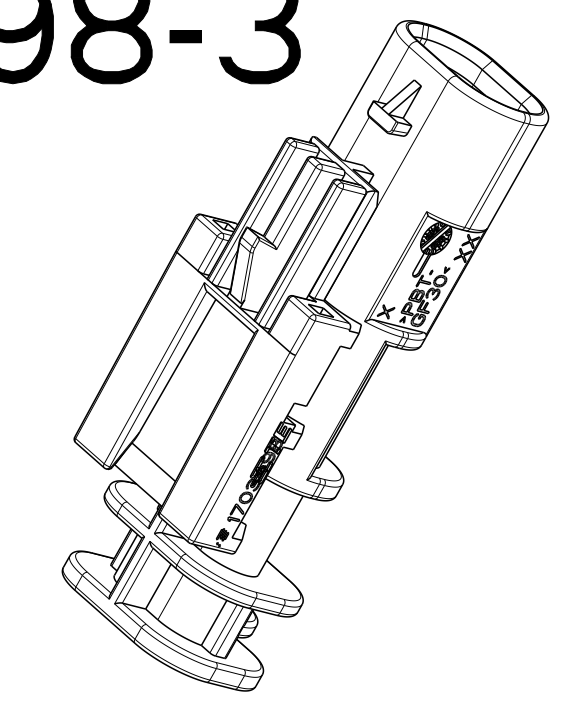
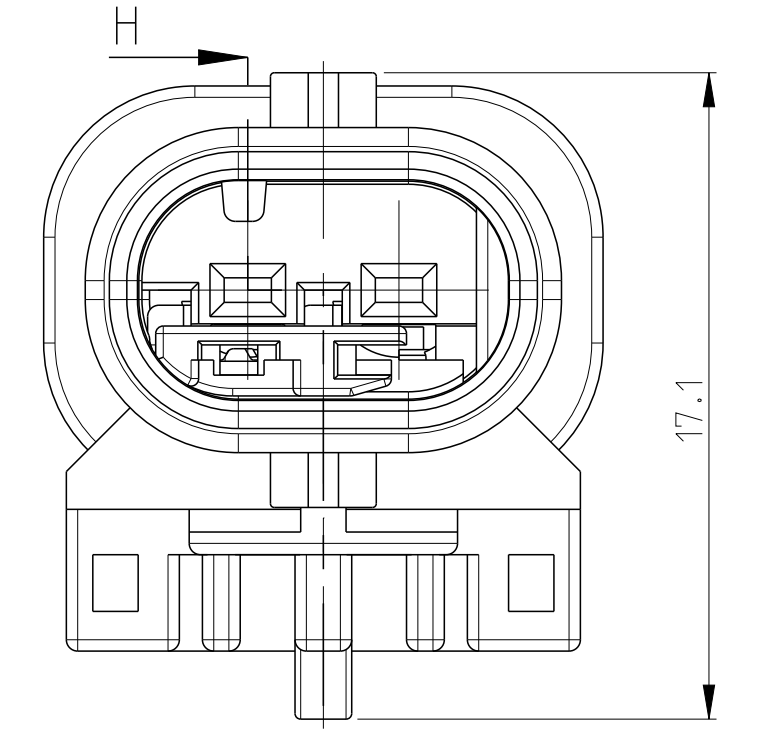
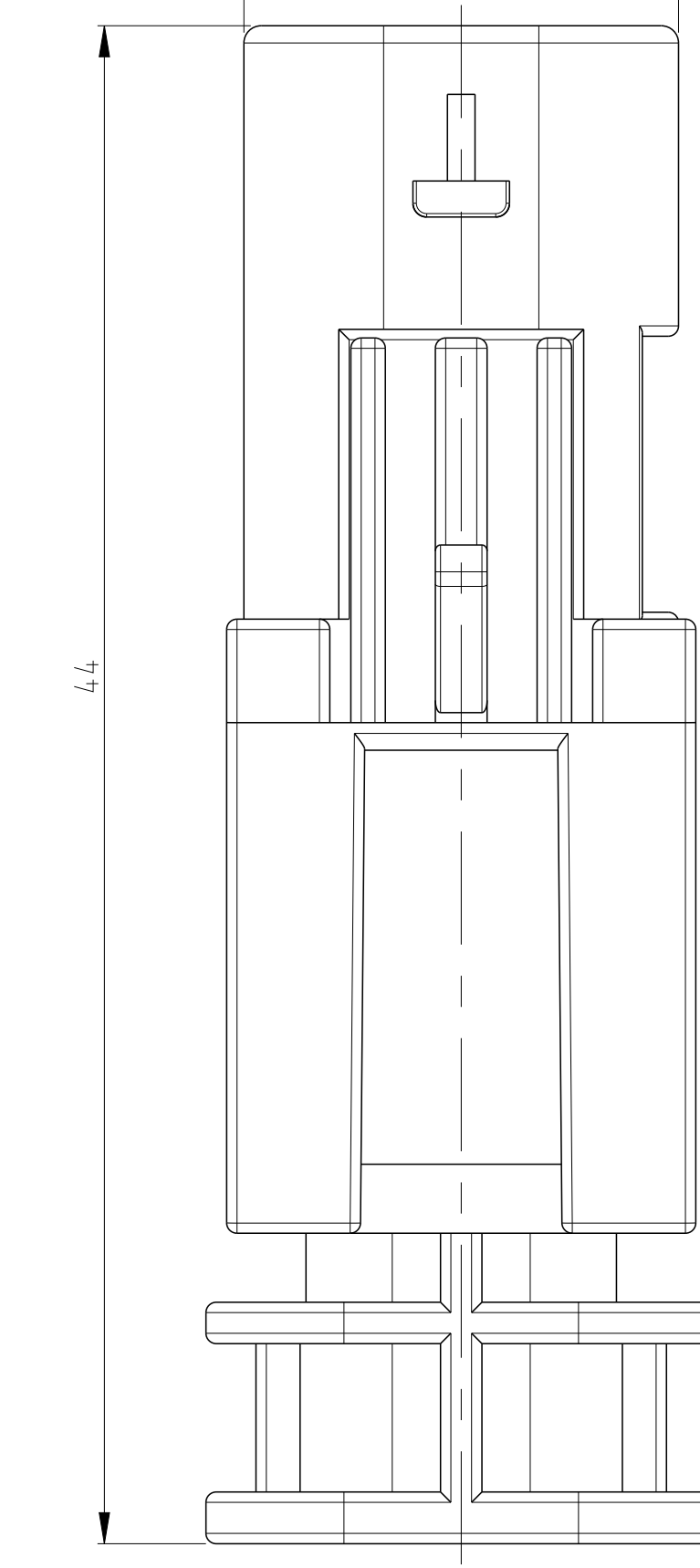
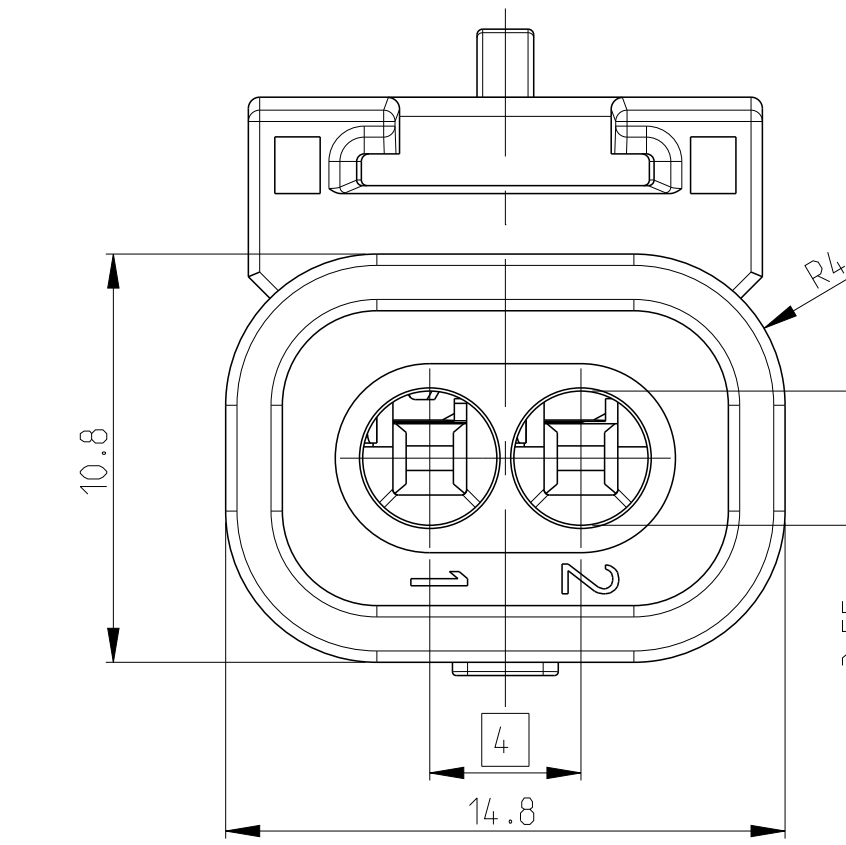


H-H

TE-PN TERMINALS	WIRE RANGE	TE-PN SINGLE WIRE SEAL	TE-PN BLIND PLUG
214868	0.08 - 0.22mm ²	967067-2	967056-1
1718758	0.25 - 0.35mm ²	967067-2	
1718760	0.5 - 0.75mm ²	967067-1	
1718762	1mm ²	967067-1	

TERMINAL TE-APPLICATION SPEC.: 114-18464

CODINGS 2:1



2:1

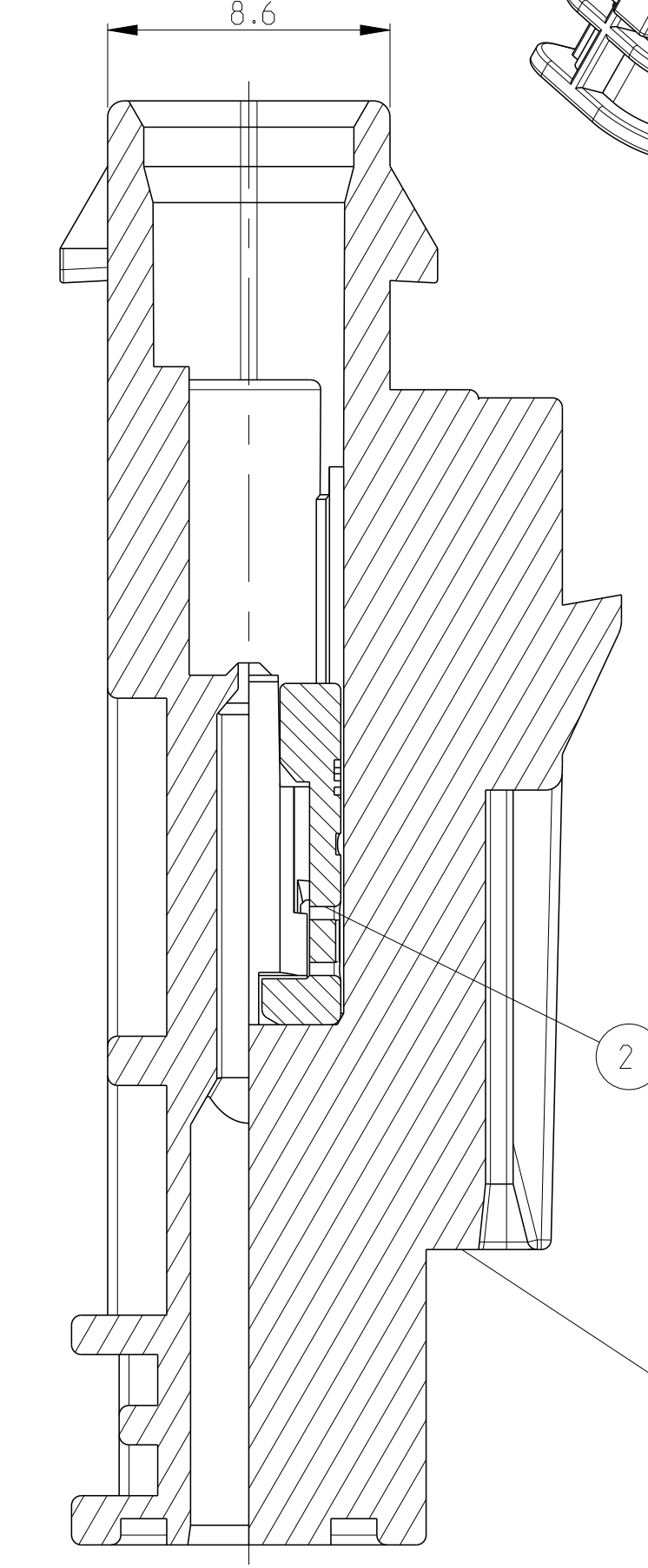
A 1-1703498-3 (BLACK)
1-1703498-4 (YELLOW)

B 2-1703498-3 (GREY) (C6)
2-1703498-4 (YELLOW)

C 3-1703498-3

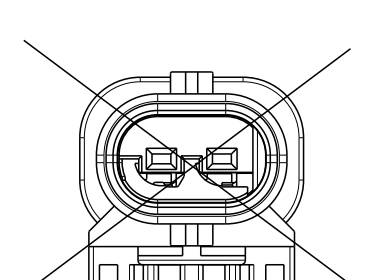
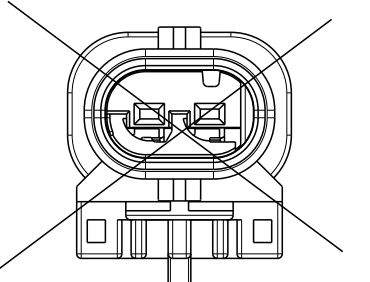
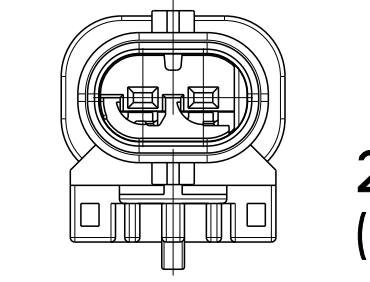
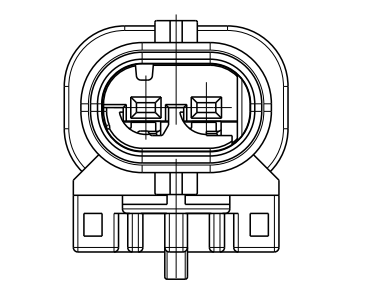
Z 4-1703498-3

SHOWN 1-1703498-3



H-H

1



REV	DATE	BY	CHK	APPD
C3	28APR01	SK	HR	
C4	25SEP01	MT	HR	
C5	19MAR02	MT	HR	
C6	06APR02	LSZ	RT	

TE SUITABLE FEMALE HSG. PASSENDE BUCHSENGEH.	ASSY REV.	TE Bestell-Nr. ORDER-NO.	CODE	Benennung TITLE	QTY	Benennung Einzelteil TITLE	Werkstoff MATERIAL	Oberflaeche/Farbe SURFACE/CLOUR	Pos. ITEM
		2-1703498-4	B	Stiftgehaeuse 2pol. MALE HOUSING 2POS.	1	Kontaktsicherung RETAINER	PA66-GF35	violett/VIOLET	2
		1-1703498-4	A	Stiftgehaeuse 2pol. MALE HOUSING 2POS.	1	Stiftgehaeuse MALE HOUSING	PBT-GF30	gelb/YELLOW	1b
		1-1703498-4	A	Stiftgehaeuse 2pol. MALE HOUSING 2POS.	1	Kontaktsicherung RETAINER	PA66-GF35	violett/VIOLET	2
		1-1703498-4	A	Stiftgehaeuse 2pol. MALE HOUSING 2POS.	1	Stiftgehaeuse MALE HOUSING	PBT-GF30	gelb/YELLOW	1a
		4-1703498-3	Z	Stiftgehaeuse 2pol. MALE HOUSING 2POS.	1	Kontaktsicherung RETAINER	PA66-GF35	violett/VIOLET	2
		4-1703498-3	Z	Stiftgehaeuse 2pol. MALE HOUSING 2POS.	1	Kontaktsicherung RETAINER	PA66-GF35	schwarz/BLACK	1z
		3-1703498-3	C	Stiftgehaeuse 2pol. MALE HOUSING 2POS.	1	Kontaktsicherung RETAINER	PA66-GF35	violett/VIOLET	2
		3-1703498-3	C	Stiftgehaeuse 2pol. MALE HOUSING 2POS.	1	Stiftgehaeuse MALE HOUSING	PBT-GF30	schwarz/BLACK	1c
		2-1703498-3	B	Stiftgehaeuse 2pol. MALE HOUSING 2POS.	1	Kontaktsicherung RETAINER	PA66-GF35	violett/VIOLET	2
		2-1703498-3	B	Stiftgehaeuse 2pol. MALE HOUSING 2POS.	1	Stiftgehaeuse MALE HOUSING	PBT-GF30	grau/GREY	1b
		1-1703498-3	A	Stiftgehaeuse 2pol. MALE HOUSING 2POS.	1	Kontaktsicherung RETAINER	PA66-GF35	violett/VIOLET	2
		1-1703498-3	A	Stiftgehaeuse 2pol. MALE HOUSING 2POS.	1	Stiftgehaeuse MALE HOUSING	PBT-GF30	schwarz/BLACK	1a

TE SUITABLE FEMALE HSG. PASSENDE BUCHSENGEH.	ASSY REV.	TE Bestell-Nr. ORDER-NO.	CODE	Benennung TITLE	QTY	Benennung Einzelteil TITLE	Werkstoff MATERIAL	Oberflaeche/Farbe SURFACE/CLOUR	Pos. ITEM
		1-1703498-5	A	Stiftgehaeuse 2pol. MALE HOUSING 2POS.	1	Kontaktsicherung RETAINER	PA66-GF35	violett/VIOLET	2
		1-1703498-5	A	Stiftgehaeuse 2pol. MALE HOUSING 2POS.	1	Stiftgehaeuse MALE HOUSING	PBT-GF30	schwarz/BLACK	1a
		4-1703498-2	Z	Stiftgehaeuse 2pol. MALE HOUSING 2POS.	1	Kontaktsicherung RETAINER	PA66-GF35	violett/VIOLET	2
		4-1703498-2	Z	Stiftgehaeuse 2pol. MALE HOUSING 2POS.	1	Stiftgehaeuse MALE HOUSING	PBT-GF30	schwarz/BLACK	1z
		3-1703498-2	C	Stiftgehaeuse 2pol. MALE HOUSING 2POS.	1	Kontaktsicherung RETAINER	PA66-GF35	violett/VIOLET	2
		3-1703498-2	C	Stiftgehaeuse 2pol. MALE HOUSING 2POS.	1	Stiftgehaeuse MALE HOUSING	PBT-GF30	schwarz/BLACK	1c
		2-1703498-2	B	Stiftgehaeuse 2pol. MALE HOUSING 2POS.	1	Kontaktsicherung RETAINER	PA66-GF35	violett/VIOLET	2
		2-1703498-2	B	Stiftgehaeuse 2pol. MALE HOUSING 2POS.	1	Stiftgehaeuse MALE HOUSING	PBT-GF30	grau/GREY	1b
		1-1703498-2	A	Stiftgehaeuse 2pol. MALE HOUSING 2POS.	1	Kontaktsicherung RETAINER	PA66-GF35	violett/VIOLET	2
		1-1703498-2	A	Stiftgehaeuse 2pol. MALE HOUSING 2POS.	1	Stiftgehaeuse MALE HOUSING	PBT-GF30	schwarz/BLACK	1a

TE SUITABLE FEMALE HSG. PASSENDE BUCHSENGEH.	ASSY REV.	TE Bestell-Nr. ORDER-NO.	CODE	Benennung TITLE	QTY	Benennung Einzelteil TITLE	Werkstoff MATERIAL	Oberflaeche/Farbe SURFACE/CLOUR	Pos. ITEM
		4-1703498-1	Z	Stiftgehaeuse 2pol. MALE HOUSING 2POS.	1	Kontaktsicherung RETAINER	PA66-GF35	violett/VIOLET	2
		4-1703498-1	Z	Stiftgehaeuse 2pol. MALE HOUSING 2POS.	1	Stiftgehaeuse MALE HOUSING	PBT-GF30	schwarz/BLACK	1z
		3-1703498-1	C	Stiftgehaeuse 2pol. MALE HOUSING 2POS.	1	Kontaktsicherung RETAINER	PA66-GF35	violett/VIOLET	2
		3-1703498-1	C	Stiftgehaeuse 2pol. MALE HOUSING 2POS.	1	Stiftgehaeuse MALE HOUSING	PBT-GF30	schwarz/BLACK	1c
		2-1703498-1	B	Stiftgehaeuse 2pol. MALE HOUSING 2POS.	1	Kontaktsicherung RETAINER	PA66-GF35	violett/VIOLET	2
		2-1703498-1	B	Stiftgehaeuse 2pol. MALE HOUSING 2POS.	1	Stiftgehaeuse MALE HOUSING	PBT-GF30	grau/GREY	1b
		1-1703498-1	A	Stiftgehaeuse 2pol. MALE HOUSING 2POS.	1	Kontaktsicherung RETAINER	PA66-GF35	violett/VIOLET	2
		1-1703498-1	A	Stiftgehaeuse 2pol. MALE HOUSING 2POS.	1	Stiftgehaeuse MALE HOUSING	PBT-GF30	schwarz/BLACK	1a

TE SUITABLE FEMALE HSG. PASSENDE BUCHSENGEH.	ASSY REV.	TE Bestell-Nr. ORDER-NO.	CODE	Benennung TITLE	QTY	Benennung Einzelteil TITLE	Werkstoff MATERIAL	Oberflaeche/Farbe SURFACE/CLOUR	Pos. ITEM
		4-1703498-1	Z	Stiftgehaeuse 2pol. MALE HOUSING 2POS.	1	Kontaktsicherung RETAINER	PA66-GF35	violett/VIOLET	2
		4-1703498-1	Z	Stiftgehaeuse 2pol. MALE HOUSING 2POS.	1	Stiftgehaeuse MALE HOUSING	PBT-GF30	schwarz/BLACK	1z
		3-1703498-1	C	Stiftgehaeuse 2pol. MALE HOUSING 2POS.	1	Kontaktsicherung RETAINER	PA66-GF35	violett/VIOLET	2
		3-1703498-1	C	Stiftgehaeuse 2pol. MALE HOUSING 2POS.	1	Stiftgehaeuse MALE HOUSING	PBT-GF30	schwarz/BLACK	1c
		2-1703498-1	B	Stiftgehaeuse 2pol. MALE HOUSING 2POS.	1	Kontaktsicherung RETAINER	PA66-GF35	violett/VIOLET	2
		2-1703498-1	B	Stiftgehaeuse 2pol. MALE HOUSING 2POS.	1	Stiftgehaeuse MALE HOUSING	PBT-GF30	grau/GREY	1b
		1-1703498-1	A	Stiftgehaeuse 2pol. MALE HOUSING 2POS.	1	Kontaktsicherung RETAINER	PA66-GF35	violett/VIOLET	2
		1-1703498-1	A	Stiftgehaeuse 2pol. MALE HOUSING 2POS.	1	Stiftgehaeuse MALE HOUSING	PBT-GF30	schwarz/BLACK	1a

REGRIND MAX. 25%

THIS DRAWING IS A CONTROLLED DOCUMENT.		DATE: 19JUN2007	BY: A LOECSER	CHK: H. RIBBER	DATE: 19JUN2007
DIMENSIONS:	UNITS:	SCALE:	PRODUCT SPEC:	APPLICATION SPEC:	TERMINAL SPEC:
MM	MM	1:1	108-94.177	114-18910-1	114-18910-1
MATERIAL:		FINISH:	WEIGHT:	ORDER NO.:	REV.:
-		-	4.48g	00779	1703498
CUSTOMER DRAWING		SCALE:	SHEET:	OF:	REV.:
		5:1	1	1	C6

STE TE Connectivity

MALE HOUSING, 2POS., MCON 1.2mm LL SEALED ASSY

SIZE: 4.48g

RESTRICTION: -

13/11

单击下面可查看定价，库存，交付和生命周期等信息

[>>TE Connectivity\(泰科\)](#)