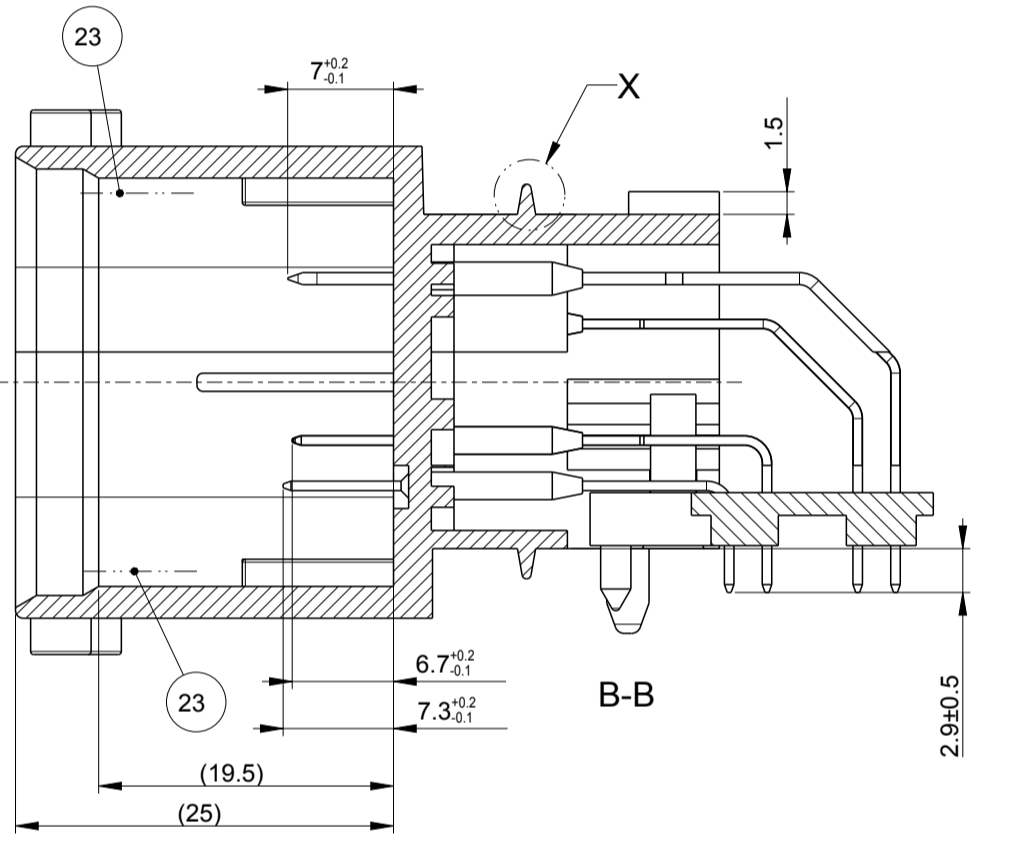
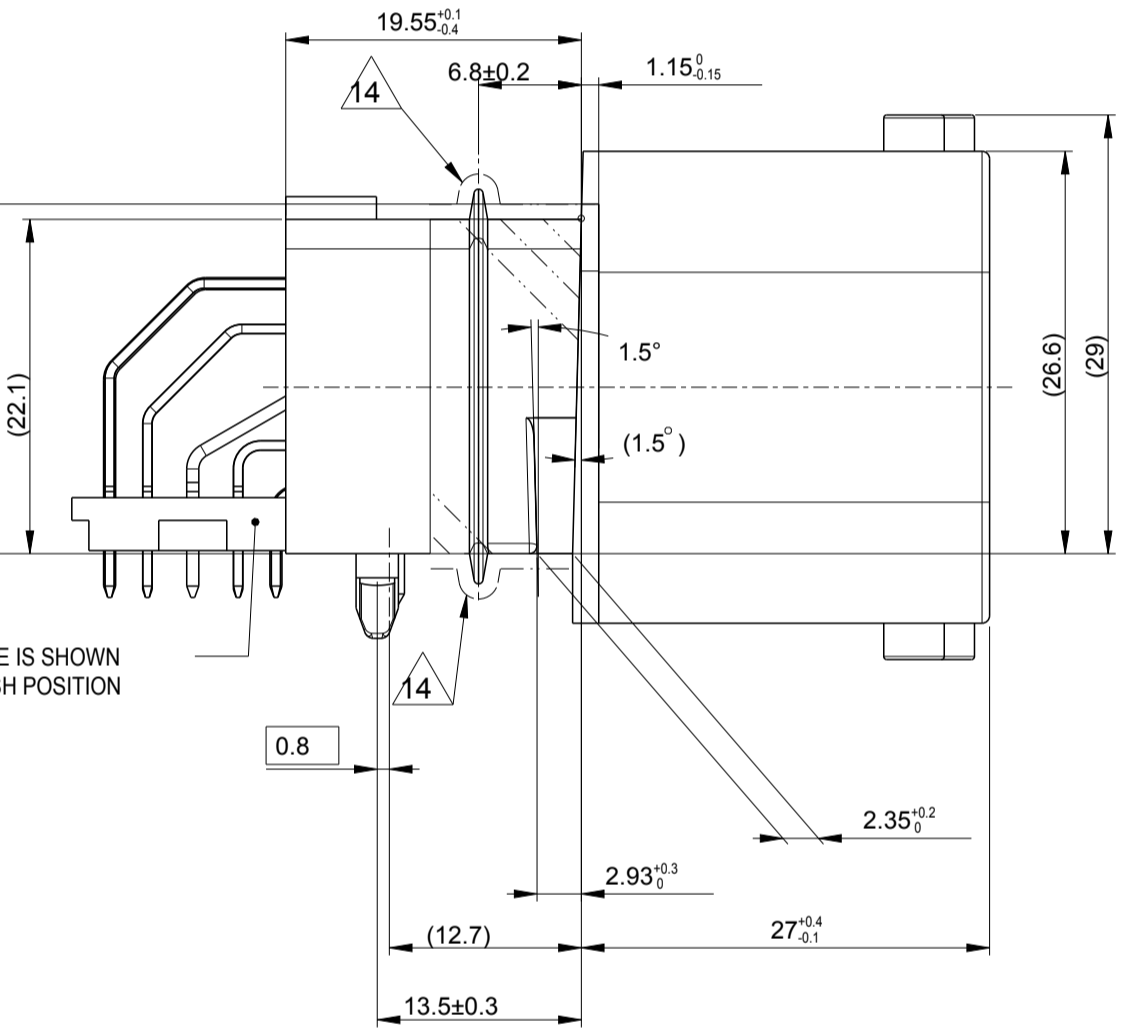
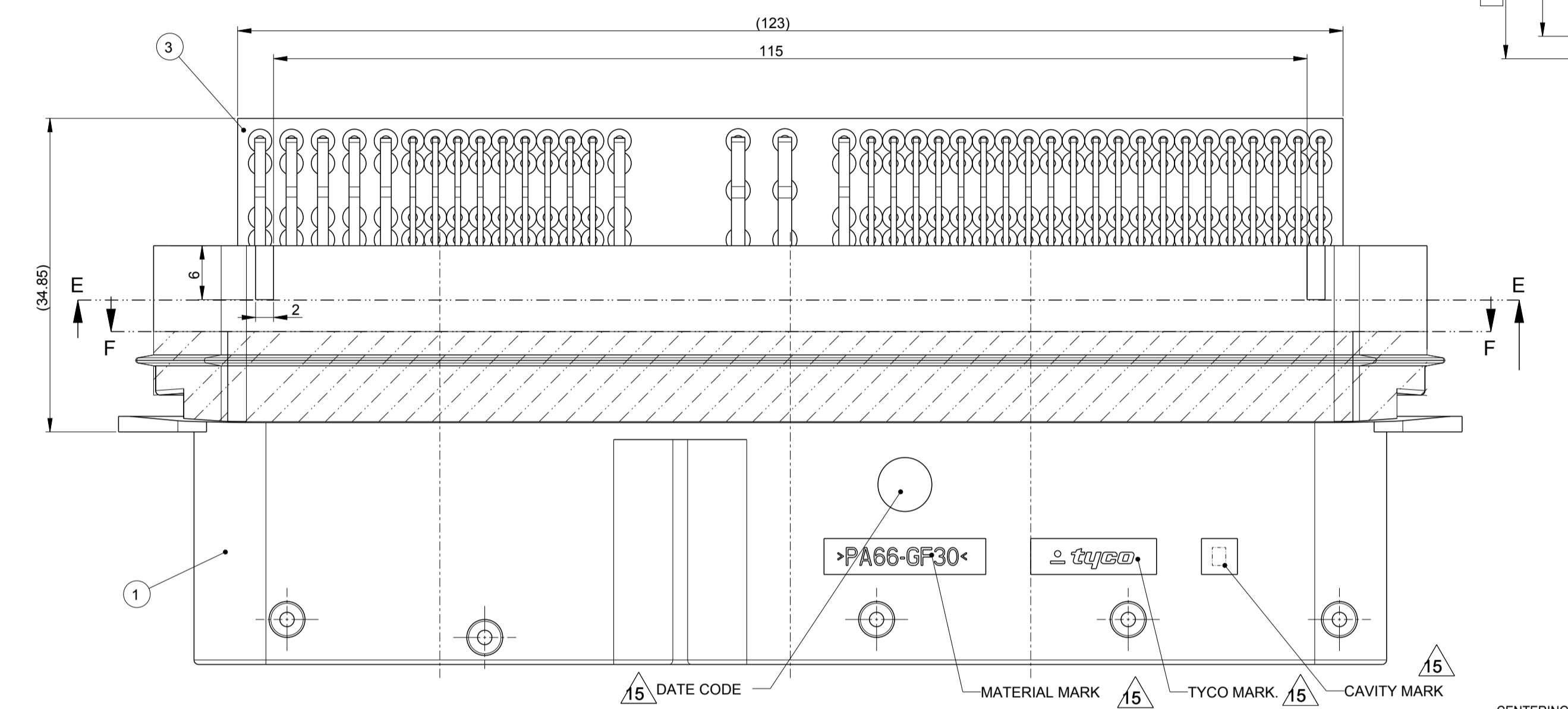
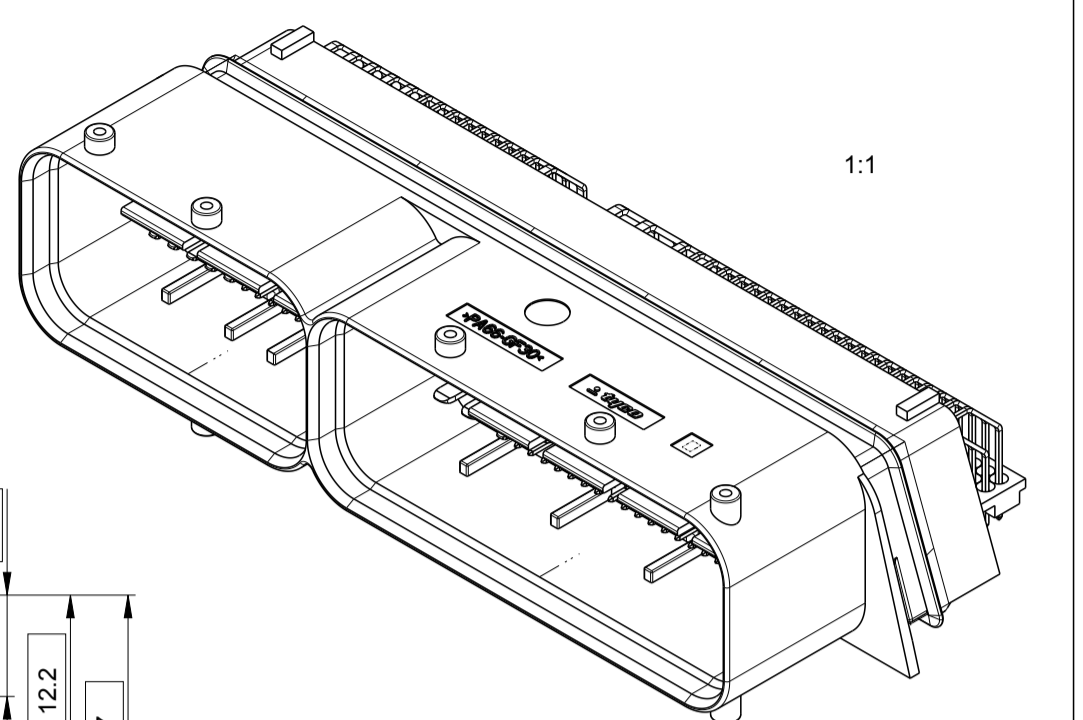
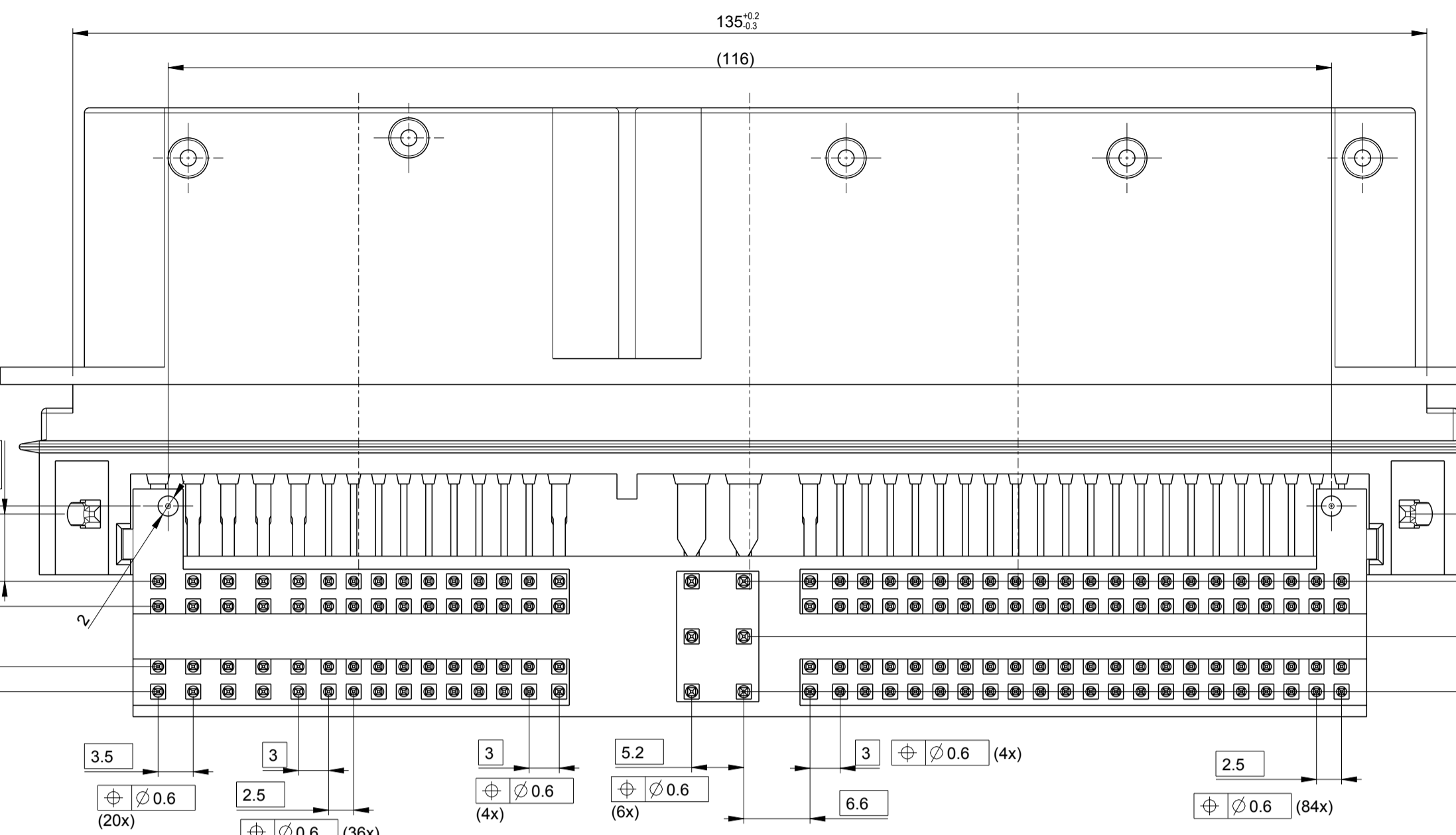
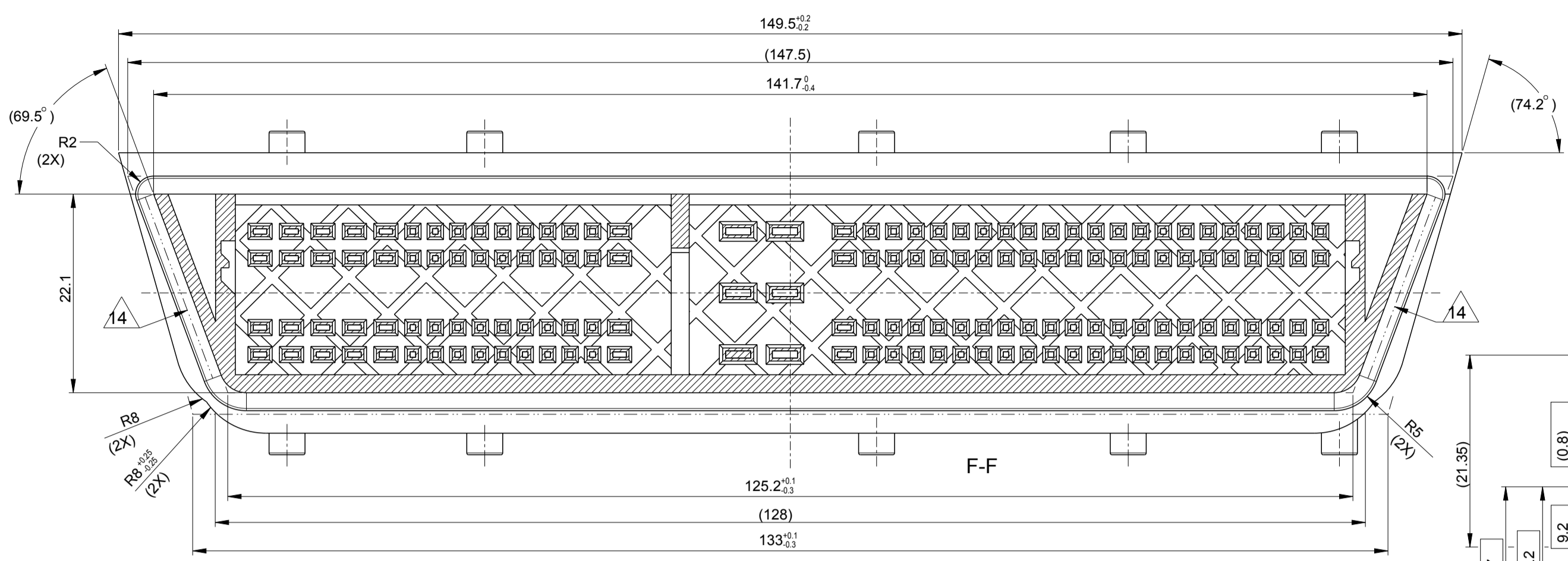
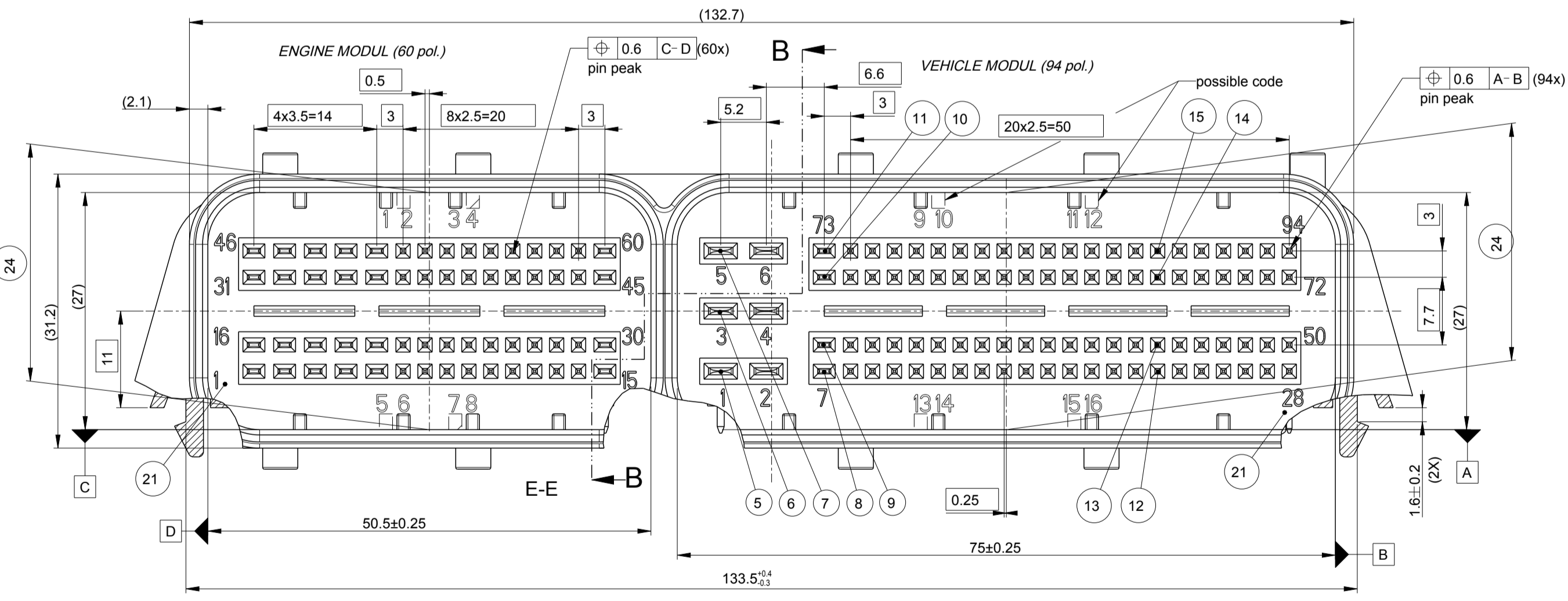


REVISIONS				
P	LTR	DESCRIPTION	DATE	OWN APVD
A1		RELEASED	14MAR2008	YH HG
A1		REVISED (ECR-15-017879)	06DEC2015	YH HG

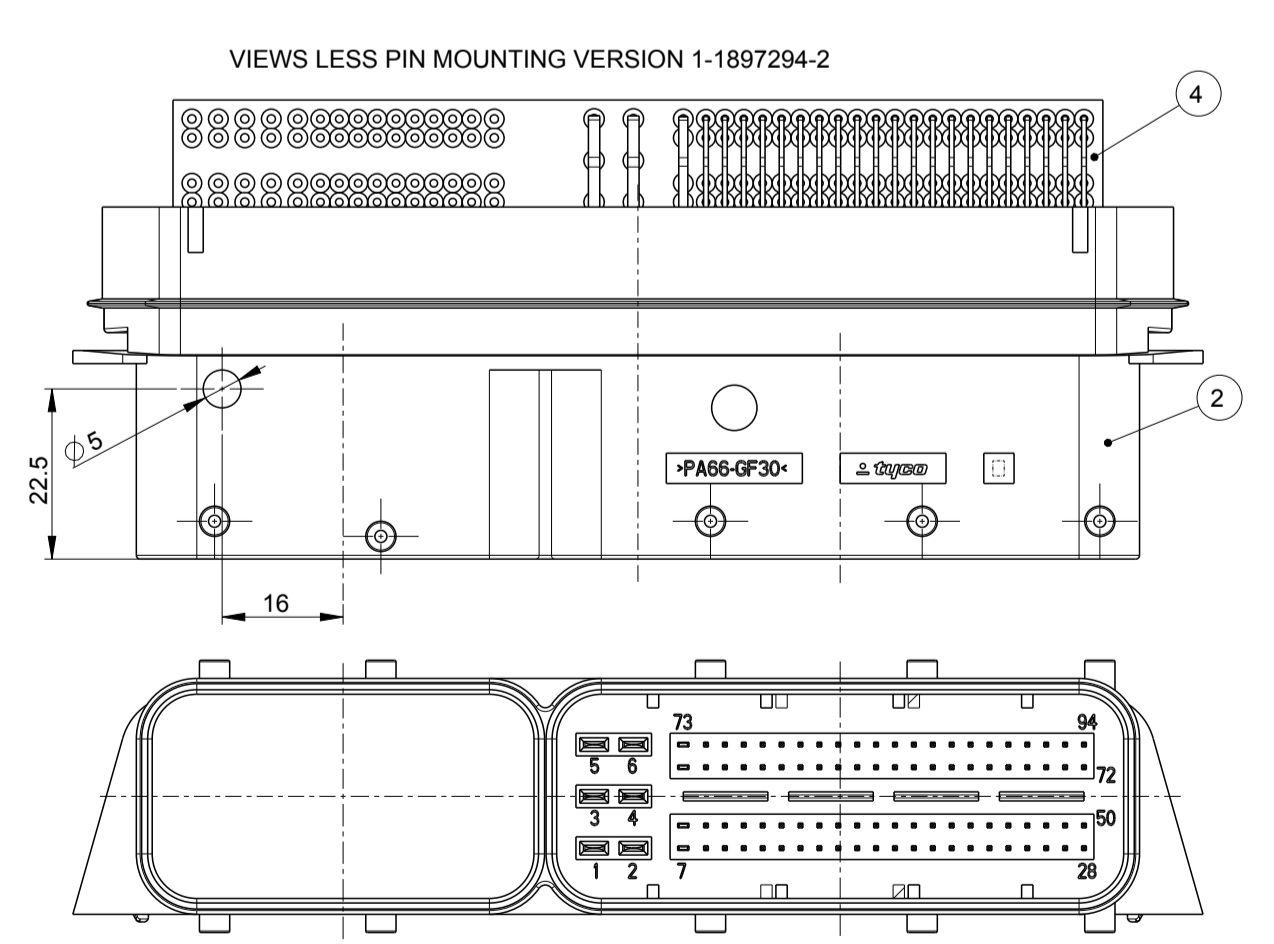
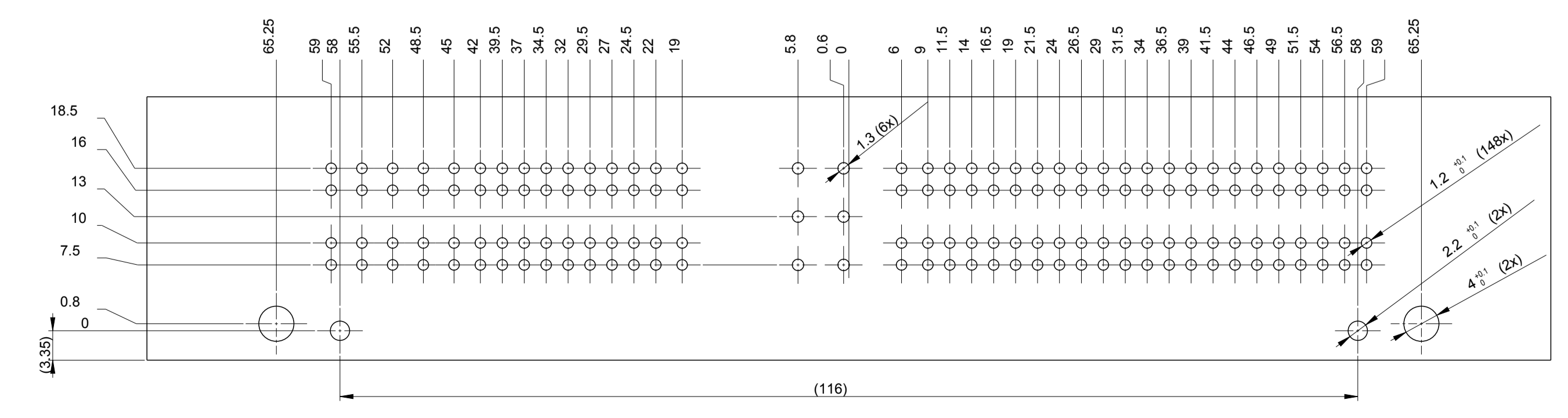


- comments:
- 1 dimensions requiring process capability analysis
  - 2 pins 0.63x0.63 CuSn6 F41 DIN 17670, alternative F48 current load: 3A max. at room temperature contact-eject force min 40N - test speed 50mm/min
  - 3 flat pin 2.8x0.8 CuSn6 F41 DIN 17670, alternative F48 current load: 15A max. at room temperature contact-eject force min. 80N test speed 50mm/min
  - 4 flat pin 1.5x0.6 CuSn6 F41 DIN 17670, alternative F48 current load: 15A max. at room temperature contact-eject force min. 55N test speed 50mm/min
  - 5 solderability according to DIN IEC 68, part 2-20
  - 6 isolation resist between contacts > 100MΩ
  - 7 plastic part connector PA66-GF-30 centering plate PA66-GF-50 parts free of parting with silicone
  - 8 leak rate of the connector in the housing max. 10ml/min at -200mbar (depression)
  - 9 life time: 10 plug cycle, test at room temperature
  - 10 delivery with centering plate in pre-lock position
  - 11 technical terms of delivery
  - 12 burr max 0.2 raised - not allowed in sealing area
  - 13 not injection mark in sealing area and in front of the pin header
  - 14 sealing area (no parting allowed)
  - 15 deepened area, font and marking raised
  - 16 radii without dimension R=0.5

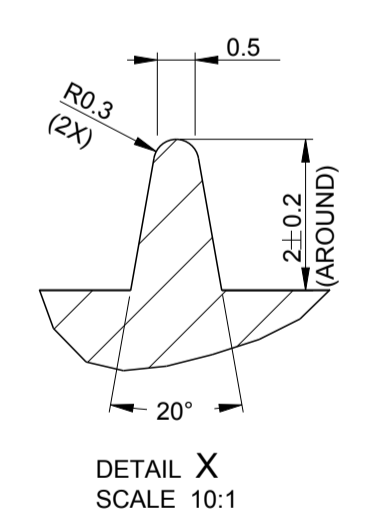
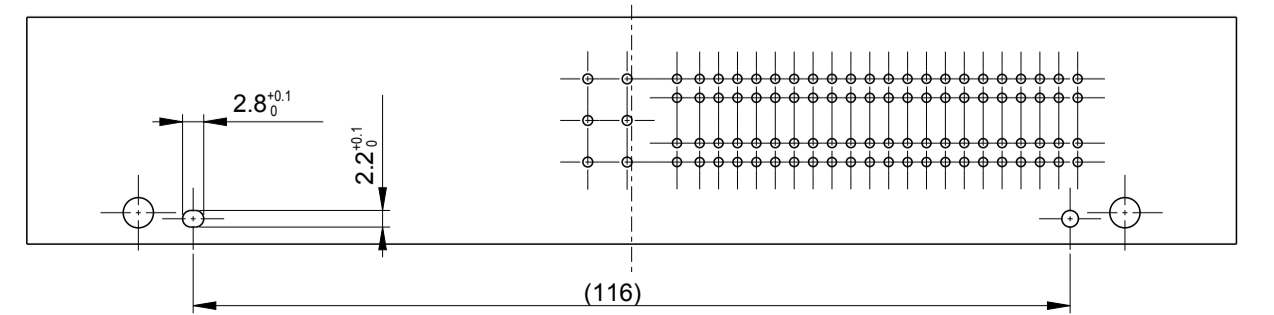
DESCRIPTION WITHOUT CENTERING PLATE



INFORMATION ONLY FOR P.C.B LAYOUT2:1



INFORMATION ONLY FOR P.C.B LAYOUT(94P)



CODING		Tyco ASSY drawing no.
Modul 60	Modul 94	
Z -	-	0-1897294-2
Z -	-	1-1897294-2
C 2,3,6,7	10,11,14,15	TBD
D 2,4,6,8	10,12,14,16	TBD
E 1,3,6,8	9,11,14,16	TBD
F 2,4,5,7	10,12,13,15	TBD
G 2,3,5,8	10,11,13,16	TBD
H 1,4,6,7	9,12,14,15	TBD

- COMMENTS
- 21 POSITION NUMBER DEPRESSED
  - 22 OPTION DESIGN
  - 23 TOOL SURFACE POLISHED ALL AROUND Ra<0.7µm. BURR, PARTING LINE AND INJECTION MARKS ARE NOT ALLOWED
  - 24 REACTION DELAY MAX. 0.5ms
  - 25 CONTACT EJECT FORCE: NOTES
  - 26 WITHOUT PINS IN SMALL CONNECTOR CAVITY.

NO	FINISH/ COLOR	MATERIAL	DESCRIPTION	QTY FOR ASSY
15	TINNED	CuSn6	0.63mm TAB(E,L)	21 30
14	TINNED	CuSn6	0.63mm TAB(L)	21 30
13	TINNED	CuSn6	0.63mm TAB(M)	21 30
12	TINNED	CuSn6	0.63mm TAB(S)	21 30
11	TINNED	CuSn6	1.5mm TAB(E,L)	1 7
10	TINNED	CuSn6	1.5mm TAB(L)	1 7
9	TINNED	CuSn6	1.5mm TAB(M)	1 7
8	TINNED	CuSn6	1.5mm TAB(S)	1 7
7	TINNED	CuSn6	2.8mm TAB(L)	2 2
6	TINNED	CuSn6	2.8mm TAB(M)	2 2
5	TINNED	CuSn6	2.8mm TAB(S)	2 2
4	NATURAL	PA66-GF50	JOINT HSG "B"	1 -
3	BLACK	PA66-GF50	JOINT HSG "A"	1 -
2	BLACK	PA66-GF30	HEADER HSG(94P)	1 -
1	BLACK	PA66-GF30	HEADER HSG(154P)	1 -

THIS DRAWING IS A CONTROLLED DOCUMENT.

DIMENSIONS: MM	TOLERANCES UNLESS OTHERWISE SPECIFIED:	DRAWN: 10/14	CHK: KT LIM	APVD: HSD/DO
DEL 1 RFS	±0.1	108-61055	108-61055	411-61054/114-61015
DEL 2 PFC	±0.2	PRODUCT SPEC	154WAY, PIN-HEADER ASSY	411-61054/114-61015
DEL 3 PFC	±0.3	APPLICATION SPEC	154WAY, PIN-HEADER ASSY	411-61054/114-61015
DEL 4 PFC	±0.4	WEIGHT	154WAY, PIN-HEADER ASSY	411-61054/114-61015
DEL ANGLES	±0.5	FINISH	154WAY, PIN-HEADER ASSY	411-61054/114-61015

TE Connectivity

154WAY, PIN-HEADER ASSY

A1 00779 C= 1897294

CUSTOMER DRAWING SCALE 2:1 SHEET 1 OF 1 REV A1

单击下面可查看定价，库存，交付和生命周期等信息

[>>TE Connectivity\(泰科\)](#)