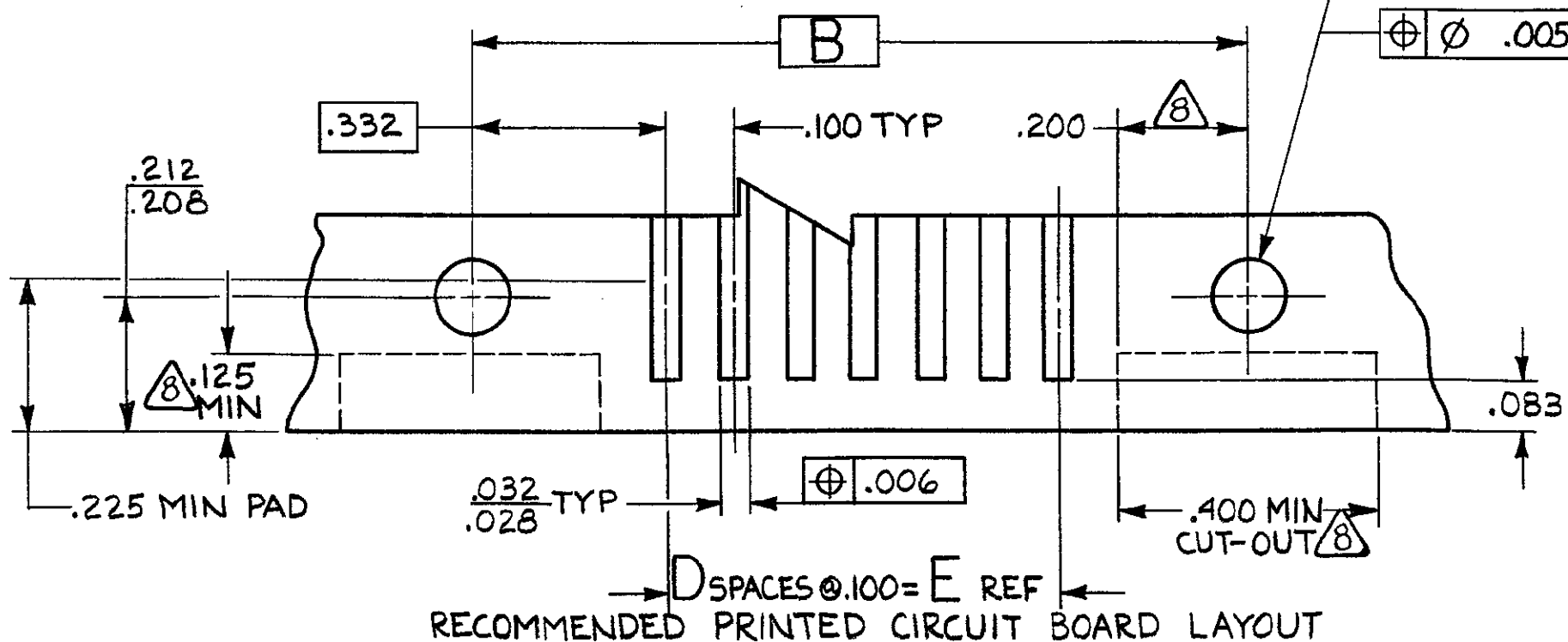
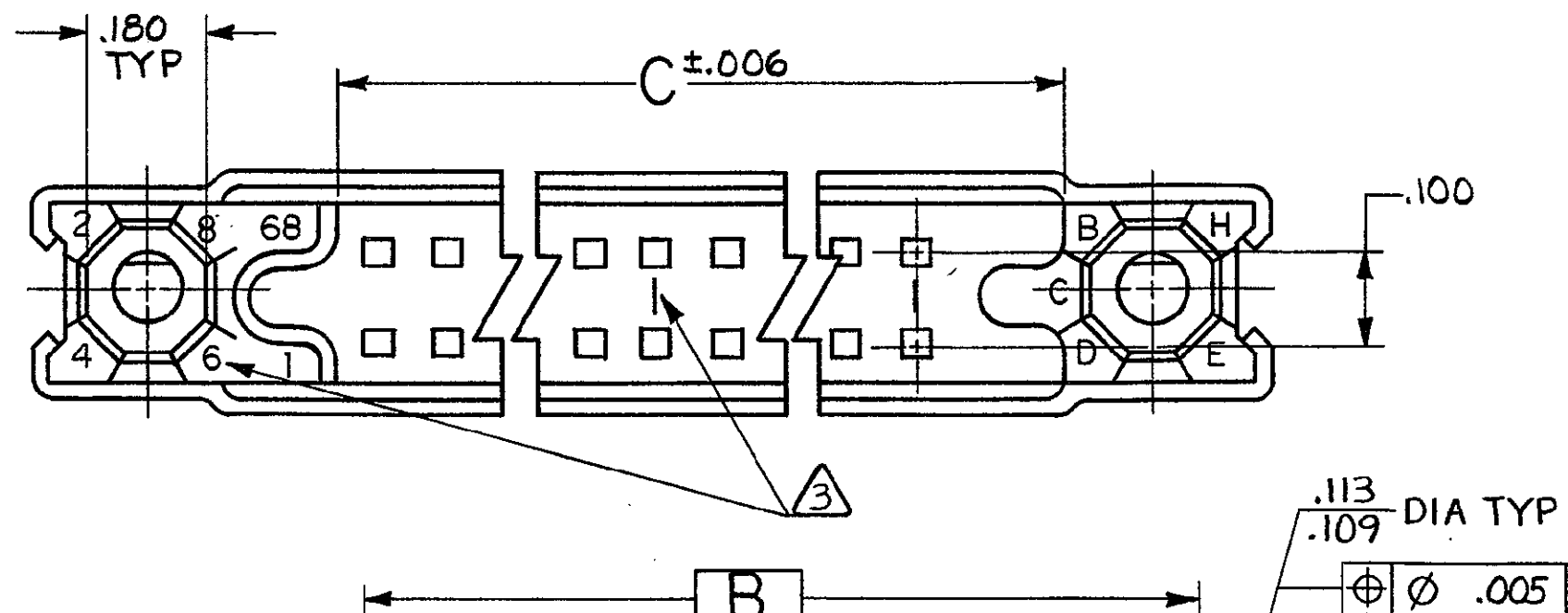
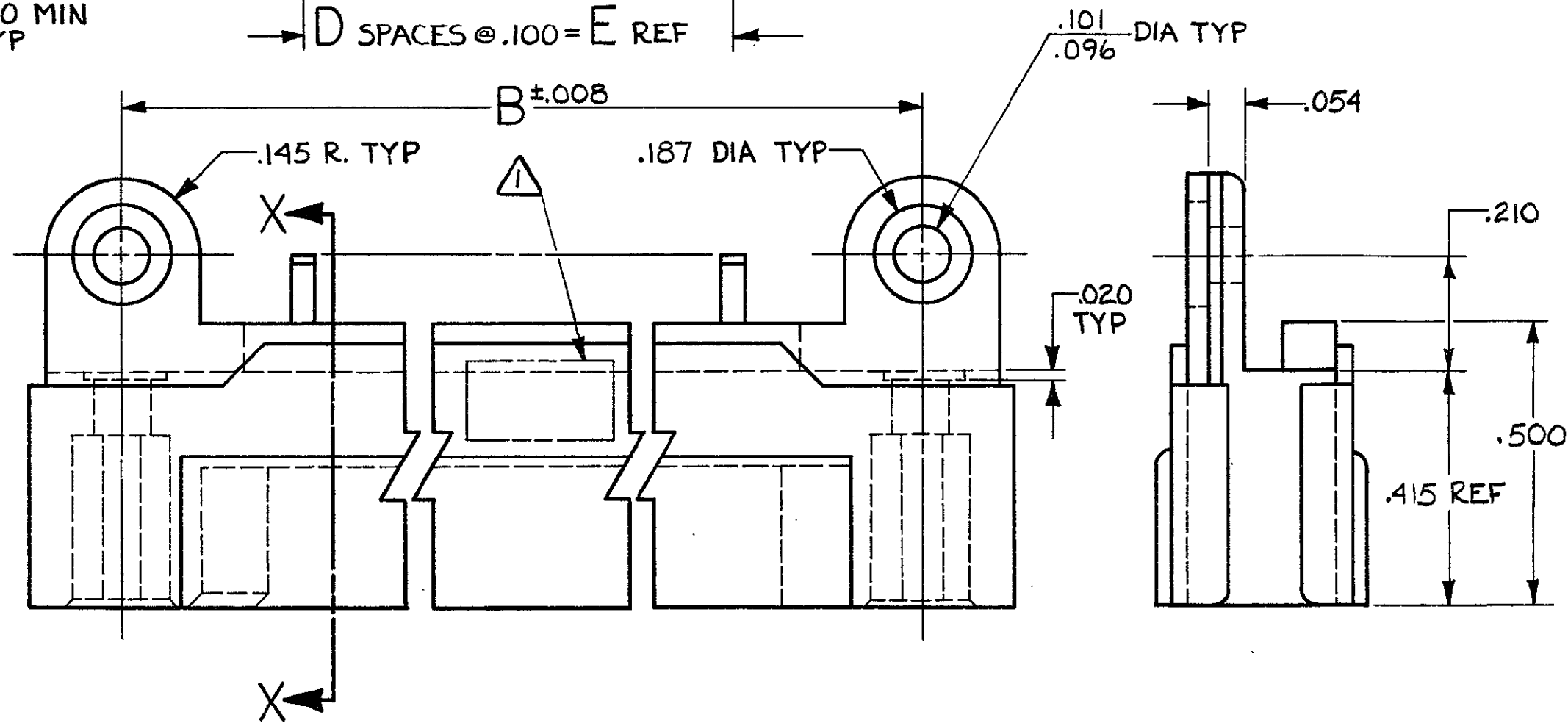
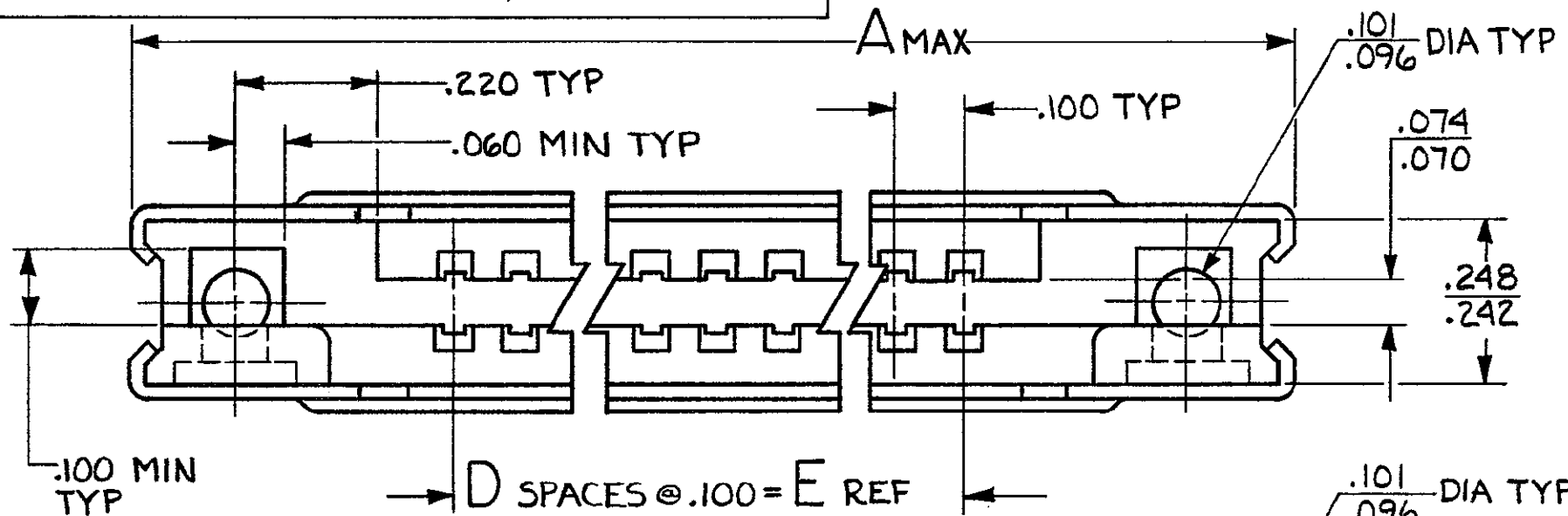


© COPYRIGHT 1980 BY AMP INCORPORATED, HARRISBURG, PA. ALL INTERNATIONAL RIGHTS RESERVED. AMP INCORPORATED PRODUCTS COVERED BY U. S. AND FOREIGN PATENTS AND/OR PATENTS PENDING.

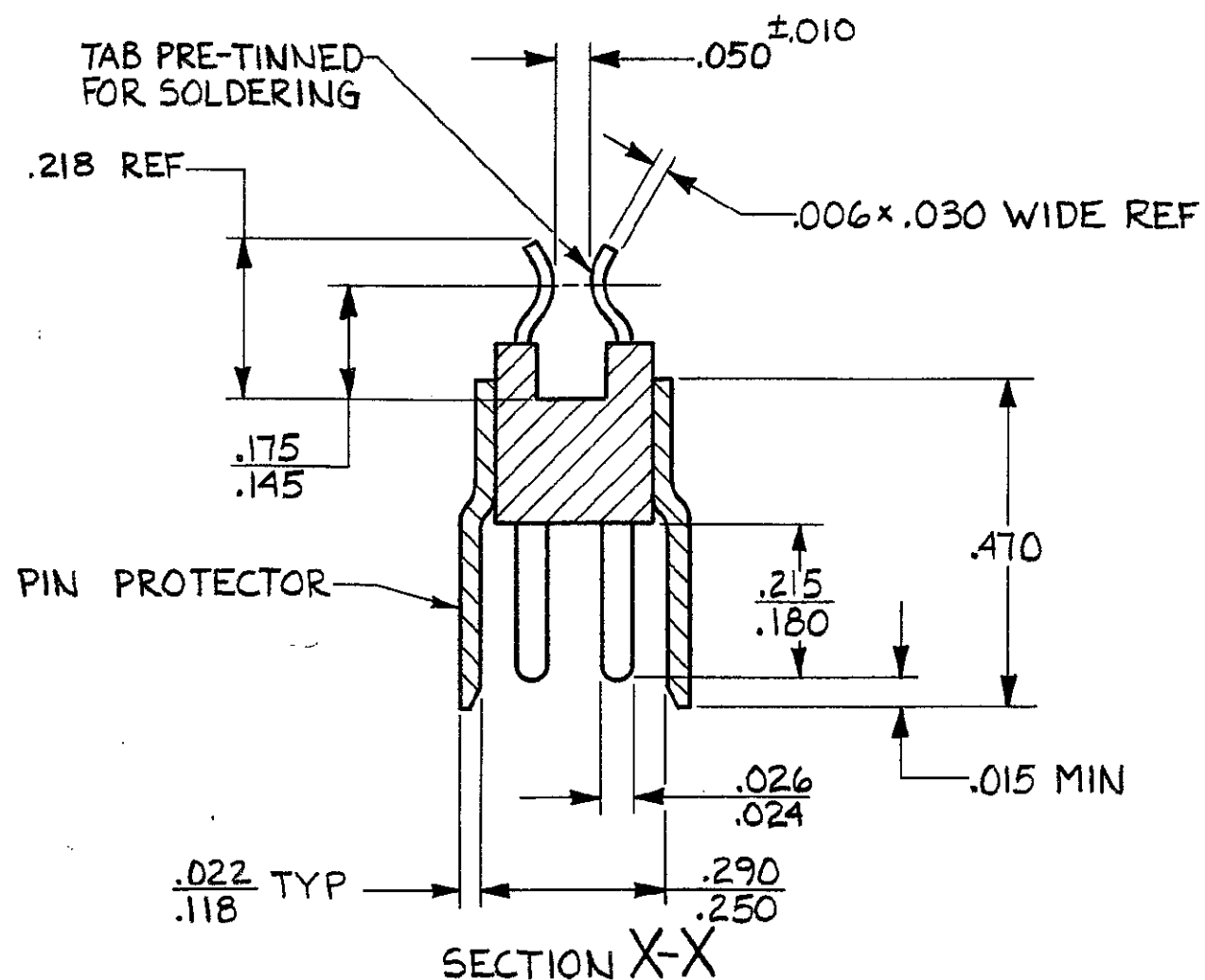
LOG DIST
DF/EO

REVISIONS					
P	F	ZONE/LTR	DESCRIPTION	DATE	APPROVED
		01	REVISED 6924 M.S.	10-80	Am
		A	REV PER DF-0089+DF-0117 TS	11-80	Am
		B	REV 0600-5641-96	TT 9-97	Am
		C	REV PER 0600-7169-98	JY 9-98	Am
		D	REV PER ECO-15-005010	KG 29APR15	RL



1 AMP, PART NUMBER, AND DATE CODE MARKED THIS AREA, SIDE OPTIONAL

- 3 NUMBERS MOLDED OR MARKED .062 HIGH AND LINES INDICATING EVERY FIVE CAVITIES MOLDED OR MARKED ON THE MATING FACE.
- 4 USES KEY 530341-1, RIVET 530347-1, AND CLINCHING TOOL 91117-1
- 5 HOUSING MATERIAL-DIALLYL PHTHALATE TYPE SDG-F, COLOR-BLUE
- 6 CONTACT MATERIAL-BRASS FINISH-.000030 GOLD OVER .000050 NICKEL
- 7 PIN PROTECTOR MATERIAL-ALUMINUM
- 8 OPTIONAL CUT-OUT FOR KEYING AFTER CONNECTOR IS MOUNTED



UNLESS OTHERWISE SPECIFIED DIMENSIONS ARE IN INCHES. TOLERANCES ON: DECIMALS ±.005 ANGLES ±		CONTRACT NO		PART NO	
MATERIAL		DR Debra Kelly 3-5-80		AMP AMP INCORPORATED Harrisburg, Pa.	
FINISH		CHK Roy 7/87		NAME BOX CONNECTOR PIN HEADER, .100 GRID	
5 6 7		APPD [Signature]		SIZE CODE IDENT NO DRAWING NO C 00779 531842	
6		DSGN APPD		SCALE 4-1 SHEET 1 OF 2	
		OTHER APPD			

© COPYRIGHT 1980 BY AMP INCORPORATED, HARRISBURG, PA.
 ALL INTERNATIONAL RIGHTS RESERVED. AMP INCORPORATED PRODUCTS
 COVERED BY U. S. AND FOREIGN PATENTS AND/OR PATENTS PENDING.

REVISIONS						
P	F	ZONE	LTR	DESCRIPTION	DATE	APPROVED
			D	SEE SHEET 1		

OBSOLETE	7/1	6.900	69	7.175	7.565	7.935	140	1-531842-3	
OBSOLETE	6/1	6.600	66	6.875	7.265	7.635	134	1-▲-2	
OBSOLETE	6/1	6.400	64	6.675	7.065	7.435	130	1-▲-1	
OBSOLETE	6/1	5.900	59	6.175	6.565	6.935	120	1-▲-0	
OBSOLETE	5/1	5.400	54	5.675	6.065	6.435	110		-9
	5/1	4.900	49	5.175	5.565	5.935	100		-8
	4/1	4.400	44	4.675	5.065	5.435	90		-7
	4/1	3.900	39	4.175	4.565	4.935	80		-6
OBSOLETE	3/1	3.400	34	3.675	4.065	4.435	70		-5
	3/1	2.900	29	3.175	3.565	3.935	60		-4
	2/1	2.400	24	2.675	3.065	3.435	50		-3
OBSOLETE	2/1	1.900	19	2.175	2.565	2.935	40		▼-2
OBSOLETE	1/1	1.400	14	1.675	2.065	2.435	30	531842-1	
	CAVITY IDENTIFICATION	E	D	C	B	A	NO. OF POSITIONS	PART NO	

UNLESS OTHERWISE SPECIFIED DIMENSIONS ARE IN INCHES. TOLERANCES ON: DECIMALS ± ANGLES ±	CONTRACT NO		AMP AMP INCORPORATED Harrisburg, Pa.	
	DR <i>Debra Kelly</i> 3-5-80			
MATERIAL	CHK <i>Joseph W. Dvorba</i> 7/21/80		NAME BOX CONNECTOR PIN HEADER, .100 GRID	
	APPD <i>Joseph W. Dvorba</i> 7/21/80		SIZE CODE IDENT NO DRAWING NO	
FINISH	APPD <i>E. Parsons</i> 7/21/80		C 00779 531842	
	DSGN APPD		SCALE	
OTHER APPD		SHEET 2 OF 2		

CUSTOMER DRAWING

单击下面可查看定价，库存，交付和生命周期等信息

[>>TE Connectivity\(泰科\)](#)