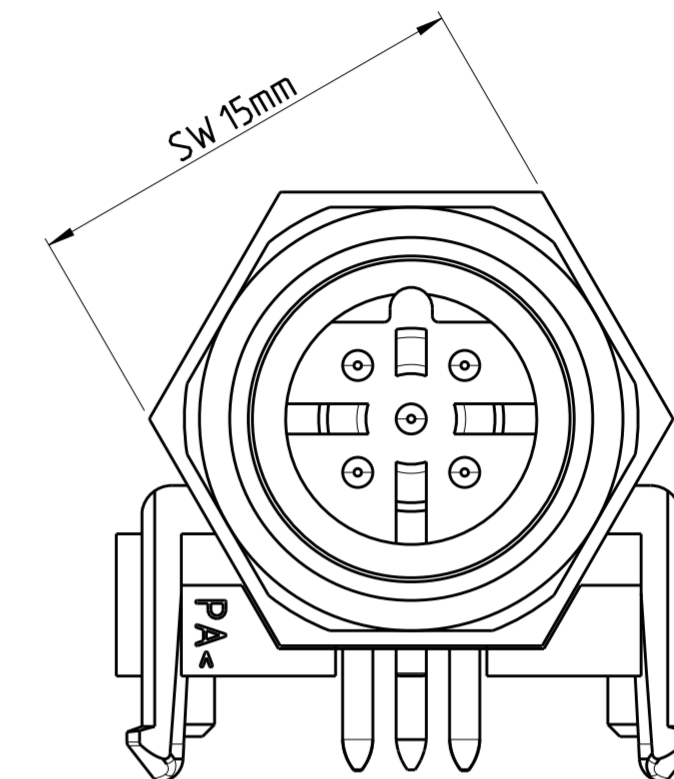
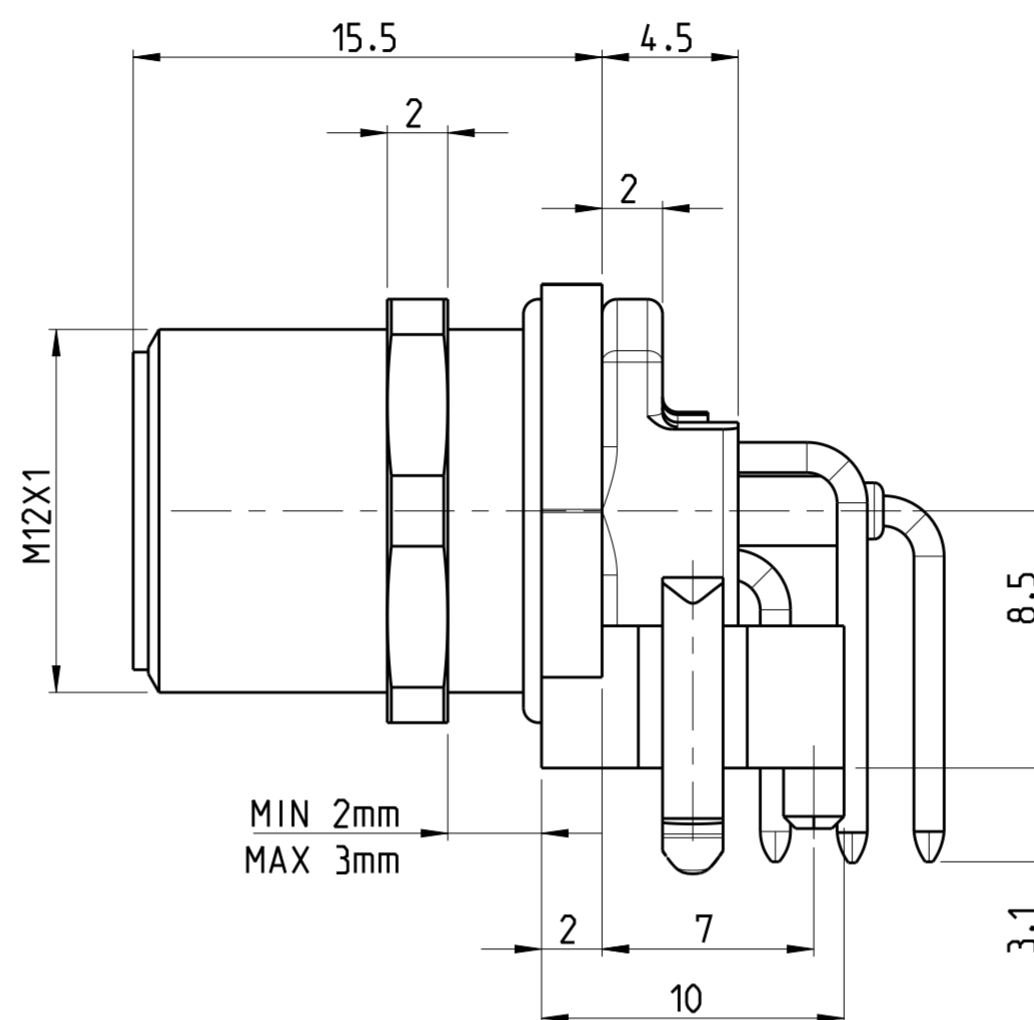
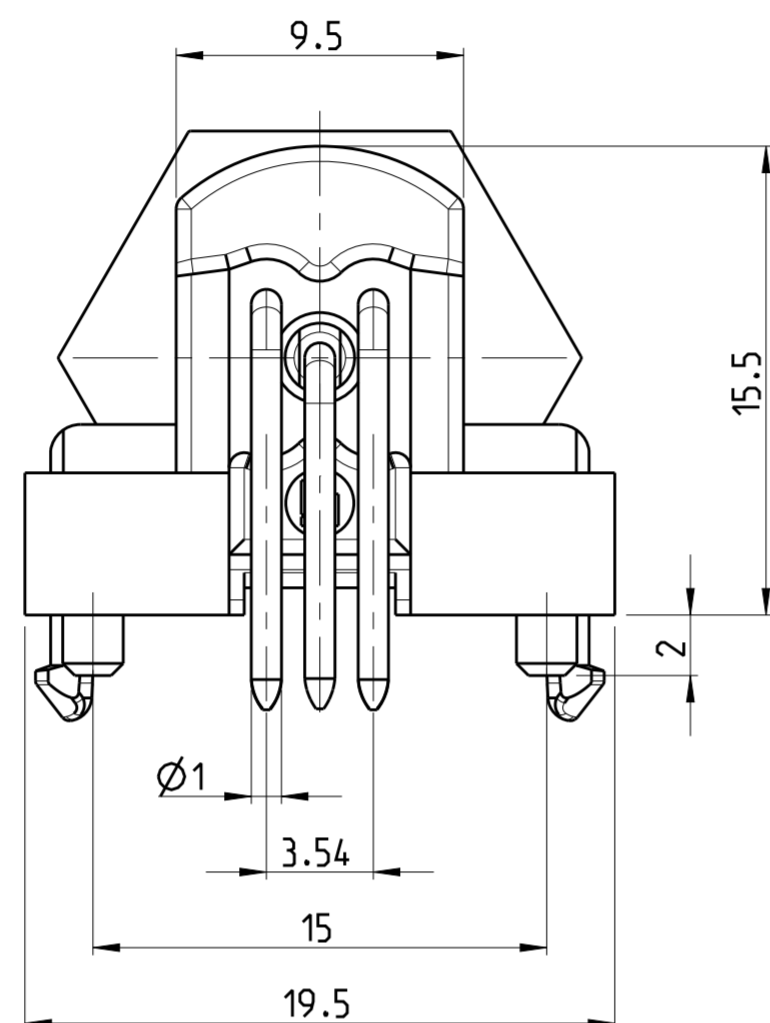
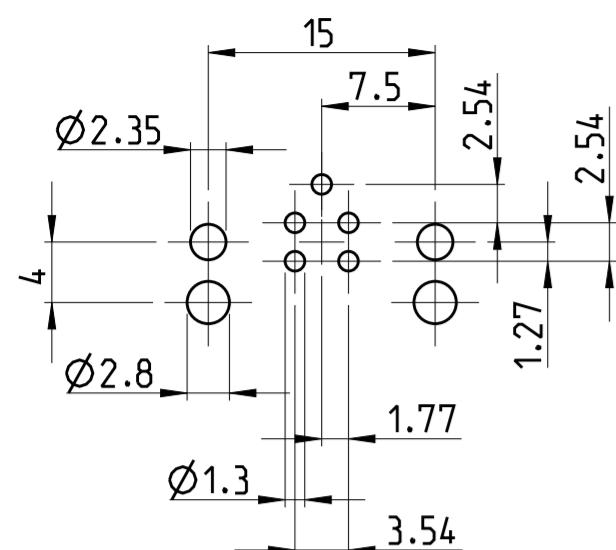


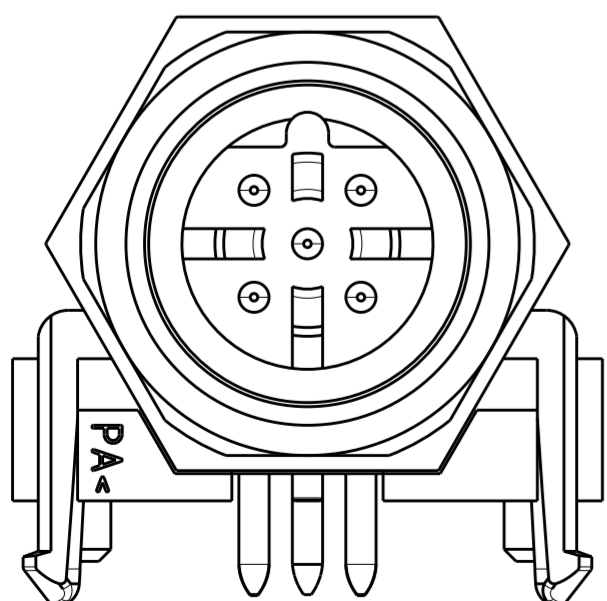
P	LTR	REVISIONS ÄNDERUNGEN DESCRIPTION BESCHREIBUNG	DATE	DWN	APVD
	A	NEW RELEASE	01DEC2014	CR	JK
	A1	ECR-20-005122	08APR2020	BP	CW

CONDUCTOR LAYOUT



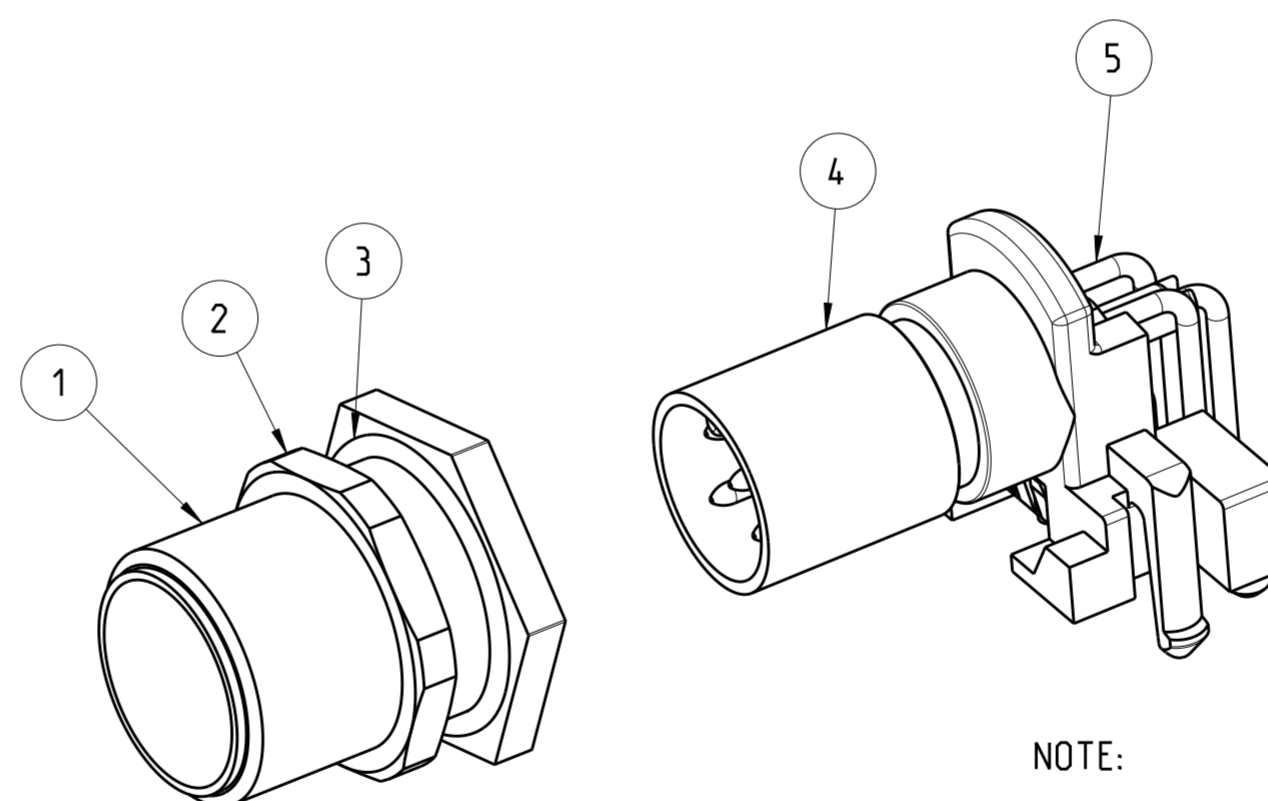
PIN ARRANGEMENT
B-CODING

4-2172082-2



TECHNICAL DATA

	4-2172082-2
RATED VOLTAGE	125V
RATED IMPULSE VOLTAGE	1500V
POLLUTION DEGREE	3
OVERVOLTAGE CATEGORY	II
MATERIAL GROUP	II
RATED CURRENT	4A
VOLUME RESISTIVITY	≤ 3mΩ
DEGREE OF PROTECTION	IP67
UPPER TEMPERATURE	+85 °C
LOWER TEMPERATURE	+40 °C



NOTE:

- 1. THE COMPONENTS ITEM NO 1, 2, 3 ARE PACKAGE AS A SEPERATE HARDWARE.
- 2. ALL DIMENSIONS ARE FOR NOMINAL REFERENCE ONLY UNLESS OTHERWISE STATED.

ITEM	DESCRIPTION	MATERIAL	COMMENT
1	SHELL	CuZn	NICKEL PLATED
2	NUT	CuZn	NICKEL PLATED
3	O-RING	RUBBER	-
4	PLASTIC BODY	PA	-
5	CONTACT	CuZn	AU PLATED

5	4-2172082-2
NUMBER OF POLES	TE-PART-NO.

DIESE ZEICHNUNG IST EIN KONTROLLIERTES DOKUMENT. BEMASSUNGEN UND TOLERANZEN GEMAESS GPS (ISO STANDARDS).		DWN YASHKUMAR 12SEP2014
THIS DRAWING IS A CONTROLLED DOCUMENT. DIMENSIONING AND TOLERANCING PER GPS (ISO STANDARDS).		CHK M. BRUBAKER 12SEP2014
DIMENSIONS: MASSE/WEITEN: (MM)		APVD M. BRUBAKER 12SEP2014
TOLERANCES UNLESS OTHERWISE SPECIFIED: ALLGEMEINTOLERANZEN		NAME M. BRUBAKER
0 PLC ±		PRODUCT SPEC 108-19483
1 PLC ±		APPLICATION SPEC 114-32127
2 PLC ±		WEIGHT -
3 PLC ±		Customer Drawing
4 PLC ±		Customer Drawing
ANGLES/WINKEL ±		Customer Drawing
FINISH/OBERFLAECHE/FARBE		Customer Drawing

STE TE Connectivity		NAME M12 MALE CONNECTOR, PCB ASSEMBLY, ANGLED, UNSHIELDED, B-CODED
SIZE A2	CAGE CODE 00779	DRAWING NO. G-2172082
SCALE MASSSTAB 2:1	SHEET BLATT 1 OF 1	REV A1

SIZE ISO 14405 (E)

单击下面可查看定价，库存，交付和生命周期等信息

[>>TE Connectivity\(泰科\)](#)