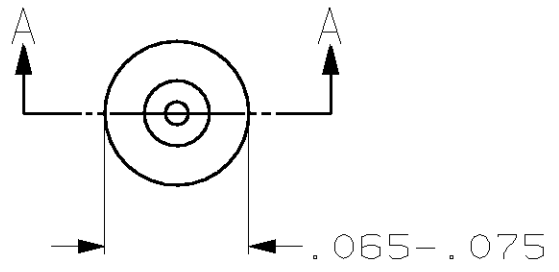
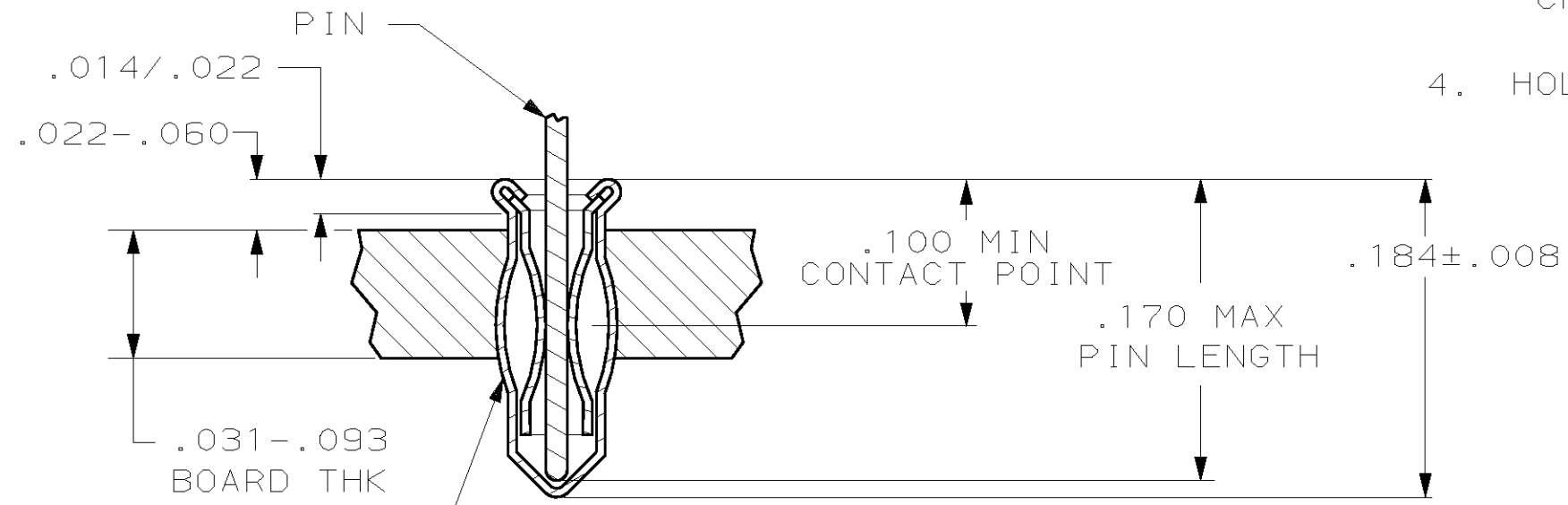


THIS DRAWING IS UNPUBLISHED. RELEASED FOR PUBLICATION, 19 .
 © COPYRIGHT 19 BY AMP INCORPORATED. ALL RIGHTS RESERVED.

LOC	DIST	REVISIONS			
P	LTR	DESCRIPTION	DATE	DWN	APVD
AG	53	G	REVISED PER 0650-0005-99	3-25-99	LM CF



- MATERIAL:
 EYELET - COPPER (QQ-C-576)
 SPRING - BERYLLIUM COPPER (QQ-C-533)
- PLATING:
 TIN (MIL-T-10727) .000150 MIN THK
 GOLD (MIL-G-45204) .000030 MIN THK OVER NICKEL (QQ-N-290) .000011 MIN THK ON CONTACT AREA.
- TO INSURE 1/2 OZ MIN RETENTION DO NOT EXCEED .004 DIFFERENCE IN PIN DIA WHEN CHANGING TO A SMALLER DIA PIN
- HOLE SIZE FOR HAND INSERTION .053-.055



INSERTION MACHINE CAPABLE OF OVALIZING SOCKET FOR RETENTION IN PC BOARD WITH .052±.003 DIA HOLE PRIOR TO SOLDERING OPERATION

SECTION A-A

.100/.170	.014/.026	GOLD	T1N LEAD	645952-3
		GOLD	TIN	645952-2
		TIN	TIN	645952-1
LENGTH	DIA	SPRING	EYELET	PART NO
PIN		FINISH		
NO. 2 SERIES LONG				

DIMENSIONS: INCHES		TOLERANCES UNLESS OTHERWISE SPECIFIED:		APPROVALS		AMP		NAME				
		0 PLC	±-	DWN	M. BOWERS	12-10-82	AMP Incorporated	MINIATURE SPRING SOCKET ASSEMBLY				
		1 PLC	±-	CHK	P. MUTZABAUGH	6-10-85				Harrisburg, PA 17105-3608		
		2 PLC	±-	APVD	G.D. MILLER	6-10-85						
		3 PLC	±-	PRODUCT SPEC								
MATERIAL -		FINISH -		APPLICATION SPEC -		SIZE		CAGE CODE	DRAWING NO	RESTRICTED TO		
				WEIGHT -		A3		00779	C- 645952	-		
CUSTOMER DRAWING							SCALE	NTS	SHEET	1 OF 1	REV	G

单击下面可查看定价，库存，交付和生命周期等信息

[>>TE Connectivity\(泰科\)](#)