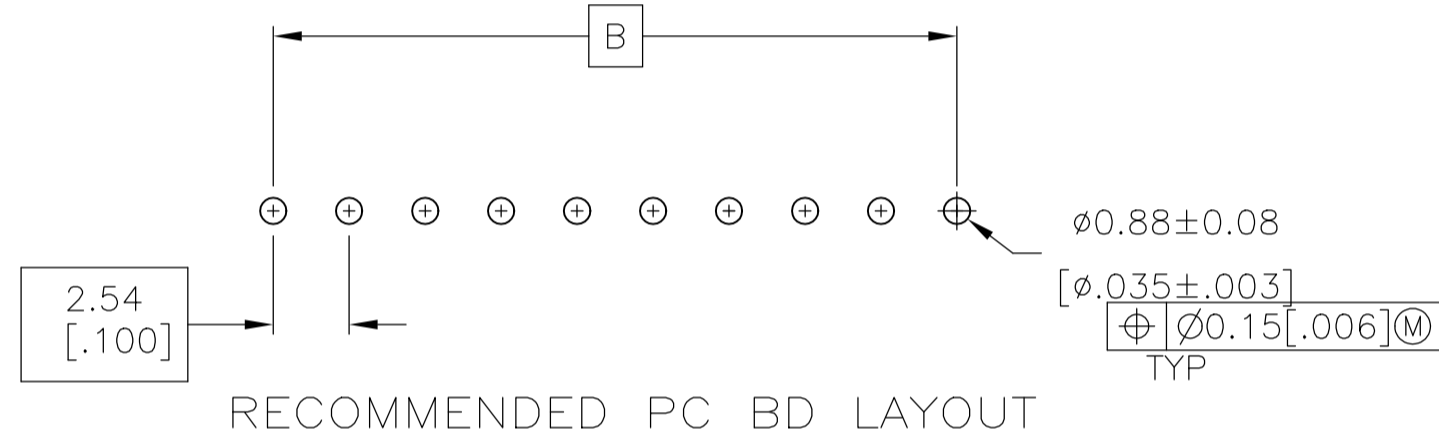
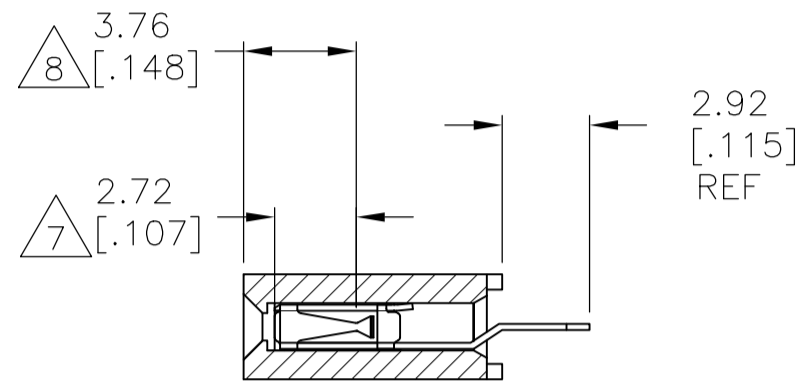
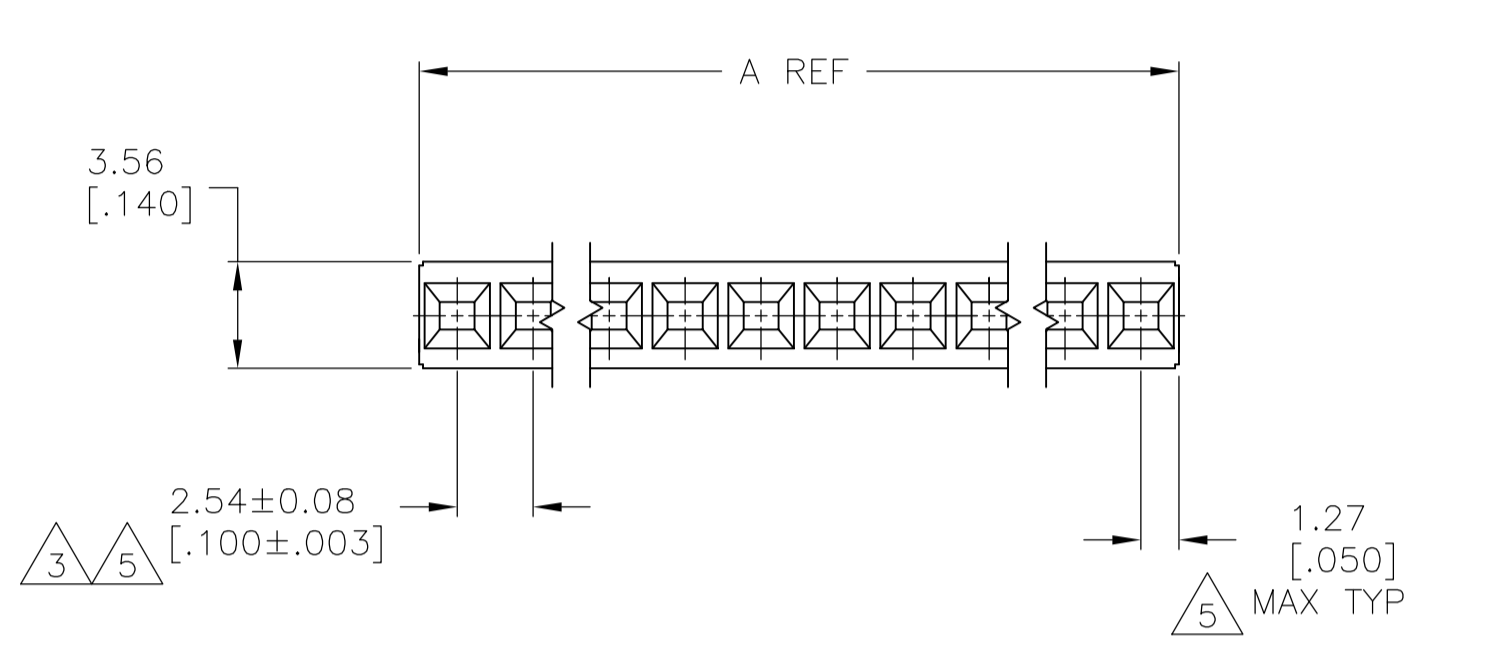
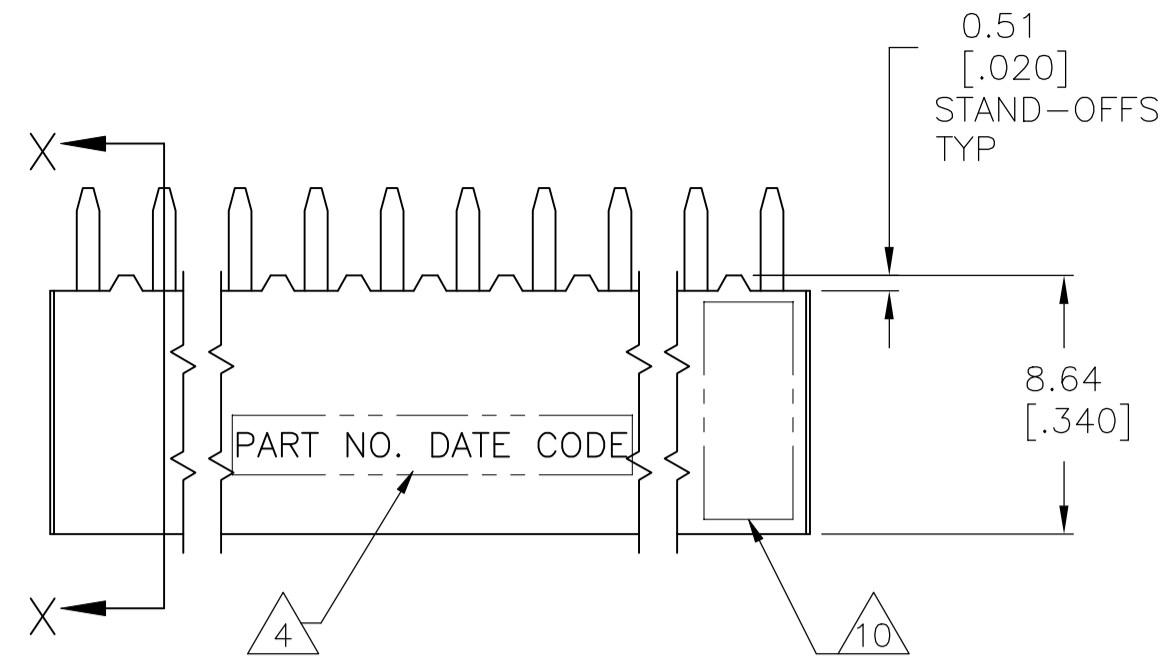


REVISIONS				
REV	DATE	BY	APP'D	DESCRIPTION
K6	12JAN2018	SD	PS	ECR-16-016231



- 1 HOUSING: FLAME RETARDANT, GLASS FILLED, POLYESTER, COLOR: BLACK. CONTACT: PHOSPHOR BRONZE
- 2 CONTACT: DUPLEX PLATED 0.25µm[.000010] MIN GOLD IN CONTACT AREA, 3.81-7.62µm[.000150-.000300] BRIGHT TIN-LEAD ON LEADS ALL OVER 1.27µm[.000050] MIN NICKEL
- 3 THESE DIMENSIONS PERTAIN TO CAVITY CENTERLINES ONLY - NOT TO CONTACT LOCATIONS
- 4 MARK PART NUMBER AND DATE CODE IN APPROXIMATE LOCATION SHOWN, EITHER SIDE.
- 5 TOLERANCE IS NON-CUMULATIVE.
- 6 2 POSITION DATE CODE IS MARKED OPPOSITE SIDE OF TE LOGO.
- 7 POINT-OF-MEASUREMENT DIMENSION FOR PLATING THICKNESS (INSIDE CONTACT BEAM).
- 8 POINT-OF-CONTACT DIMENSION.
- 9 NO PART NUMBER MARKING REQUIRED FOR THIS PART.
- 10 TE LOGO AND CSA LOGO ARE MOLDED INTO HOUSING.
- 11 CONTACT: DUPLEX PLATED 0.25µm[.000010] MIN GOLD IN CONTACT AREA, 3.81-7.62µm[.000150-.000300] MATTE TIN ON LEADS ALL OVER 1.27µm[.000050] MIN NICKEL
- 12 ROHS 2002/95/EC COMPLIANT

FINISH	B	A	NO OF POSN	PART NUMBER
				8-146386-9
			40	8-146386-8
			39	8-146386-7
			38	8-146386-6
			37	8-146386-5
			35	8-146386-4
			34	8-146386-3
			32	8-146386-2
			29	8-146386-1
			28	8-146386-0
			27	7-146386-9
			25	7-146386-8
			24	7-146386-7
			23	7-146386-6
			21	7-146386-5
			19	7-146386-4
			18	7-146386-3
			17	7-146386-2
			16	7-146386-1
			15	7-146386-0
			4	6-146386-9
			30	6-146386-8
			36	6-146386-7
			33	6-146386-6
			31	6-146386-5
			26	6-146386-4
			22	6-146386-3
			20	6-146386-2
			14	6-146386-1
			13	6-146386-0
			12	5-146386-9
			11	5-146386-8
			10	5-146386-7
			9	5-146386-6
			8	5-146386-5
			7	5-146386-4
			6	5-146386-3
			5	5-146386-2
			3	5-146386-1

				2	3-146386-9
				40	3-146386-8
				39	3-146386-7
				38	3-146386-6
				37	3-146386-5
				35	3-146386-4
				34	3-146386-3
				32	3-146386-2
				29	3-146386-1
				28	3-146386-0
				27	2-146386-9
				25	2-146386-8
				24	2-146386-7
				23	2-146386-6
				21	2-146386-5
				19	2-146386-4
				18	2-146386-3
				17	2-146386-2
				16	2-146386-1
				15	2-146386-0
				4	1-146386-9
				30	1-146386-8
				36	1-146386-7
				33	1-146386-6
				31	1-146386-5
				26	1-146386-4
				22	1-146386-3
				20	1-146386-2
				14	1-146386-1
				13	1-146386-0
				12	146386-9
				11	146386-8
				10	146386-7
				9	146386-6
				8	146386-5
				7	146386-4
				6	146386-3
				5	146386-2
				3	146386-1

THIS DRAWING IS A CONTROLLED DOCUMENT.

DIMENSIONS: mm [INCHES]
 TOLERANCES: UNLESS OTHERWISE SPECIFIED:
 0 PLC ± -
 1 PLC ± -
 2 PLC ± 0.25[.010]
 3 PLC ± 0.13[.005]
 4 PLC ± -
 ANGLES ± -

FINISH: SEE TABLE
 MATERIAL: 1

DWG: M. BINNER OSNOV02
 CHK: J. OLSON OSNOV02
 APVD: J. OLSON OSNOV02
 PRODUCT SPEC: 108-25022
 APPLICATION SPEC: 114-25018
 SIZE: A1
 CAGE CODE: 00779
 DRAWING NO: 146386
 SCALE: 4:1
 SHEET: 1 of 1
 REV: K6

STE TE Connectivity Ltd.
 REC. ASSY. MOD IV, SR, .100CL
 VRT BOARD MOUNT, CLOSED, TE
 SHORT PNT. OF CONTACT
 RESTRICTED TO CUSTOMER DRAWING

单击下面可查看定价，库存，交付和生命周期等信息

[>>TE Connectivity\(泰科\)](#)